

IMPLANT SYSTEMS

NEOBIOTECH IMPLANT SYSTEM & PRODUCTS

IS IMPLANT SYSTEM

IT IMPLANT SYSTEM

SURGICAL KITS & PRODUCTS

ANYCHECK

INTRODUCTION

Serving the best products and services to implantologists under the motto of No.1 implant system in the world.

Neobiotech is a leading manufacturer and supplier of comprehensive products and solutions for implant, restorative, and digital dentistry. Ever since our foundation in year 2000, Neobiotech have been relentlessly striving for new and better ways in every area of implant dentistry with a central belief that our solutions must remain Simple, Safe, and Speedy (the 3S Spirit) for both the dentists and patients. Today, Neobiotech products, services, and educational offerings are available in around 70 countries worldwide through subsidiaries and distributors.

Neobiotech Co. believes that implant design should be developed based on implant surgical protocols prior to the application of other technologies. In 2007, Neobiotech introduced a new implant to the world, called CMI (Sinus Quick) Implant: an implant designed to easily achieve maximum initial fixation in maxillary or mandibular bone during implant placement. Neobiotech changed the implant design from a straight body type (earlier implant design) to tapered body type by applying the concept of “CMI fixation” and “Anytime loading”. This innovation led Neobiotech to differentiate its products from other implant companies’ products and services.

In the same year, Neobiotech launched the new GBR system that enabled easier, safer, and faster GBR process, which Neobiotech invented through many years of Dr. Heo’s (CEO of Neobiotech) surgical experiences. In 2008, Neobiotech released the Sinus Crestal Approach (SCA) surgical kit and brought out innovation to sinus implant surgical operation. In the same year, Neobiotech also launched the Sinus Lateral Approach (SLA) Kit, which received praise and love worldwide.

In the middle of 2009, for the very first time, Neobiotech launched the FR Kit (Fixture Remover Kit), which let easy access on removing fixture abutments to dentists. In 2010, Neobiotech have launched the SR Kit (Screw Remover Kit), and from this, Neobiotech have made advanced surgical solution series: SCA Kit, SLA Kit, FR Kit, SR Kit. Furthermore, Neobiotech launched the new GBR solution series in 2011: new GBR Kit, CTi-mem (Customized Titanium Membrane), ACM (Autochip Maker).

Neobiotech has not only focused on creating innovative products and surgical protocols, but also followed the 3S (Simple, Safe, Speedy) concept while developing products in order to make sure the products were much simpler, safer, and faster for every implantologist to be confident and feel convenient during implant surgery.

To satisfy all of our customers’ needs, Neobiotech will always be more than happy to come closer and listen to our valuable customers’ voices. Neobiotech will strive to be the world’s best implant company by continuously developing new implant system that all implantologists will trust and enjoy.

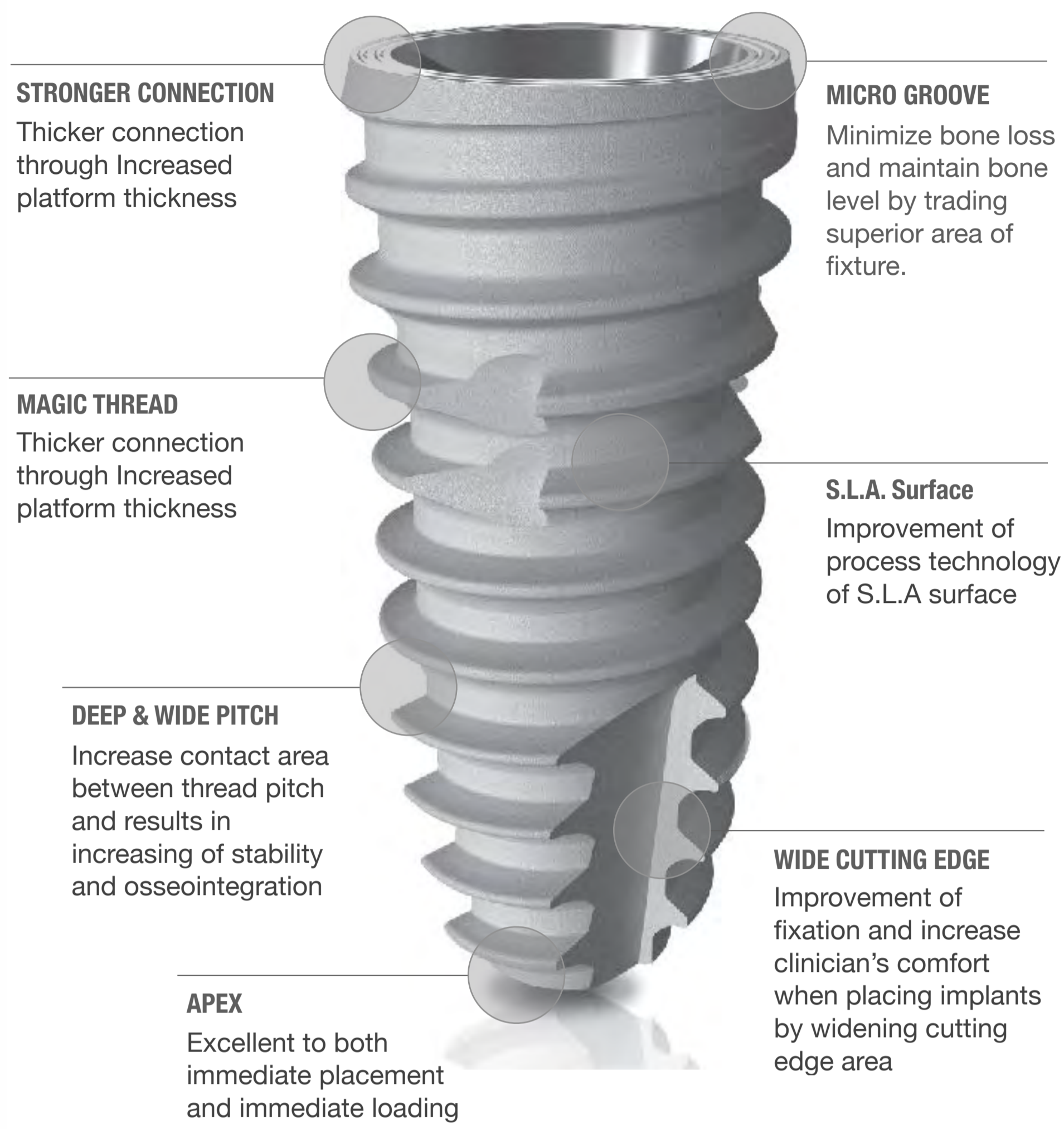


CONTENTS

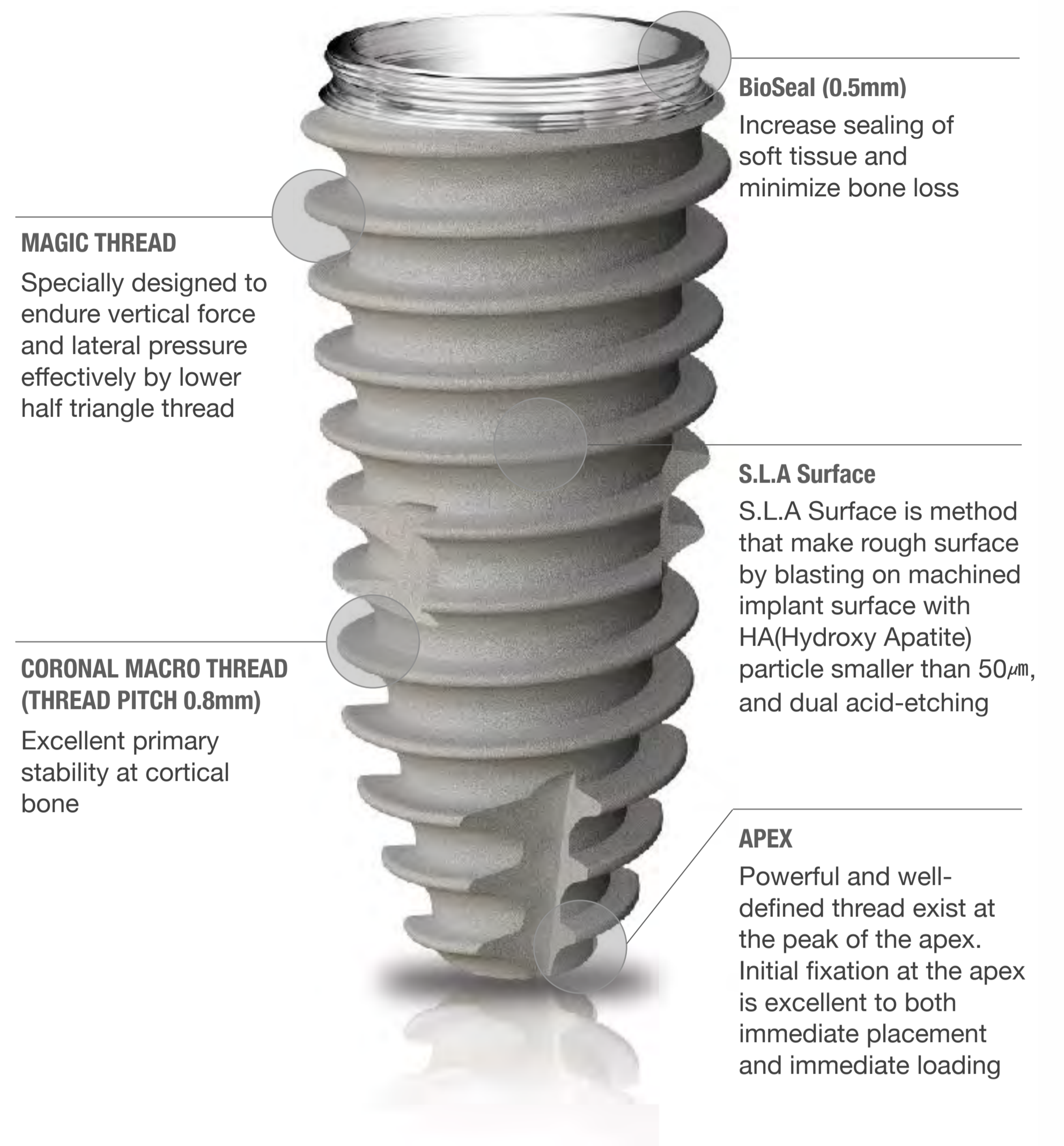
IS Implant System	Features	04
	Fixture	06
	Transfer Abutment	07
	Angled Abutment	10
	Solid Abutment & Related	11
	Multi Unit Abutment - NeoBiotech	12
	Kerator Abutment	13
	Ball Abutment	14
	Impression Coping	15
	IS-II Active S-Narrow Fixture	16
	S-Mini Fixture	17
IT Implant System	Features	18
	Fixture	19
	Abutment	20
	Impression Coping	23
Surgical Kits & Products	Neo NaviGuide Kit	24
	Neo NaviGuide Narrow Kit	27
	Neo Master Kit	28
	Stop Drill Kit	30
	S-Narrow Kit	32
	S-Wide Kit	33
	S-Mini Kit	34
	Neo Core Kit	35
	SLA Kit (Sinus Lateral Approach Kit)	37
	SCA Kit (Sinus Crestal Approach Kit)	38
	Sinus All Kit	39
	SR Kit (Screw Remover Kit)	41
	FR Kit (Fixture Remover Kit)	43
	Universal Prosthetic Kit	44
	Neo Prosthetic Kit	45
	Ridge Wider Kit	47
	Neo PickCap Impression Kit	48
	ACM (AutoChip Maker)	49
	Surgical Accessory	50
AnyCheck	AnyCheck	51

FEATURES

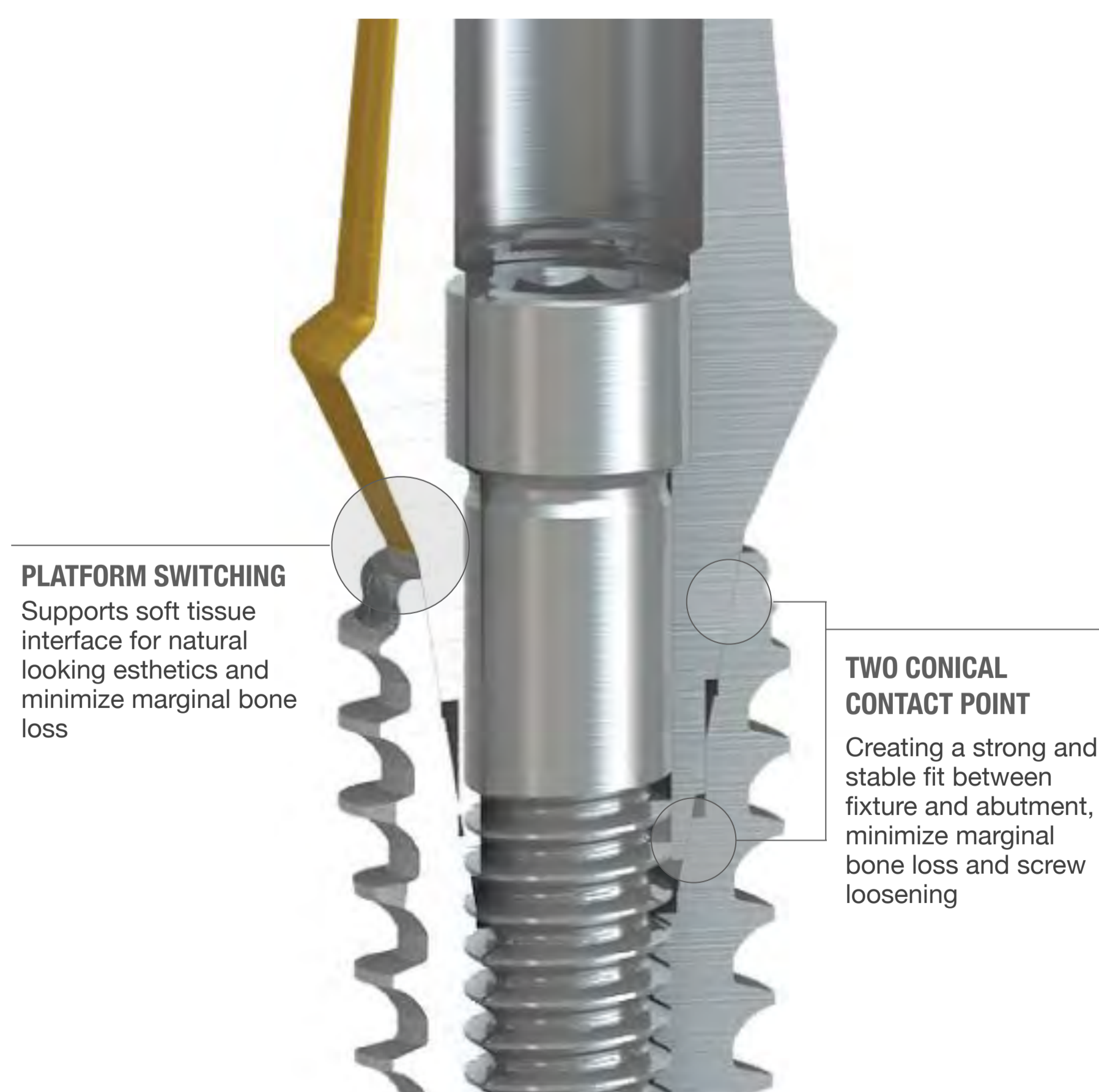
IS-III Active Implant (S.L.A)



IS-II Active Implant (S.L.A)

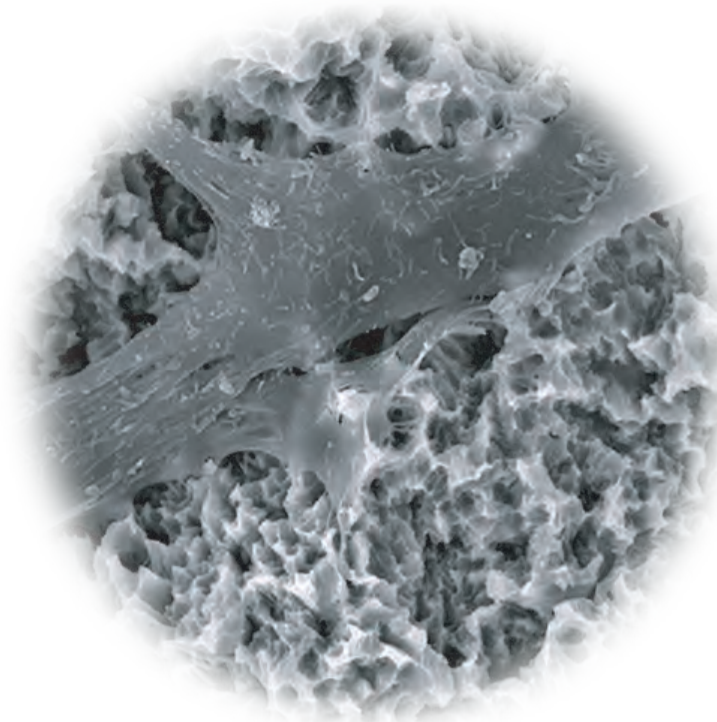
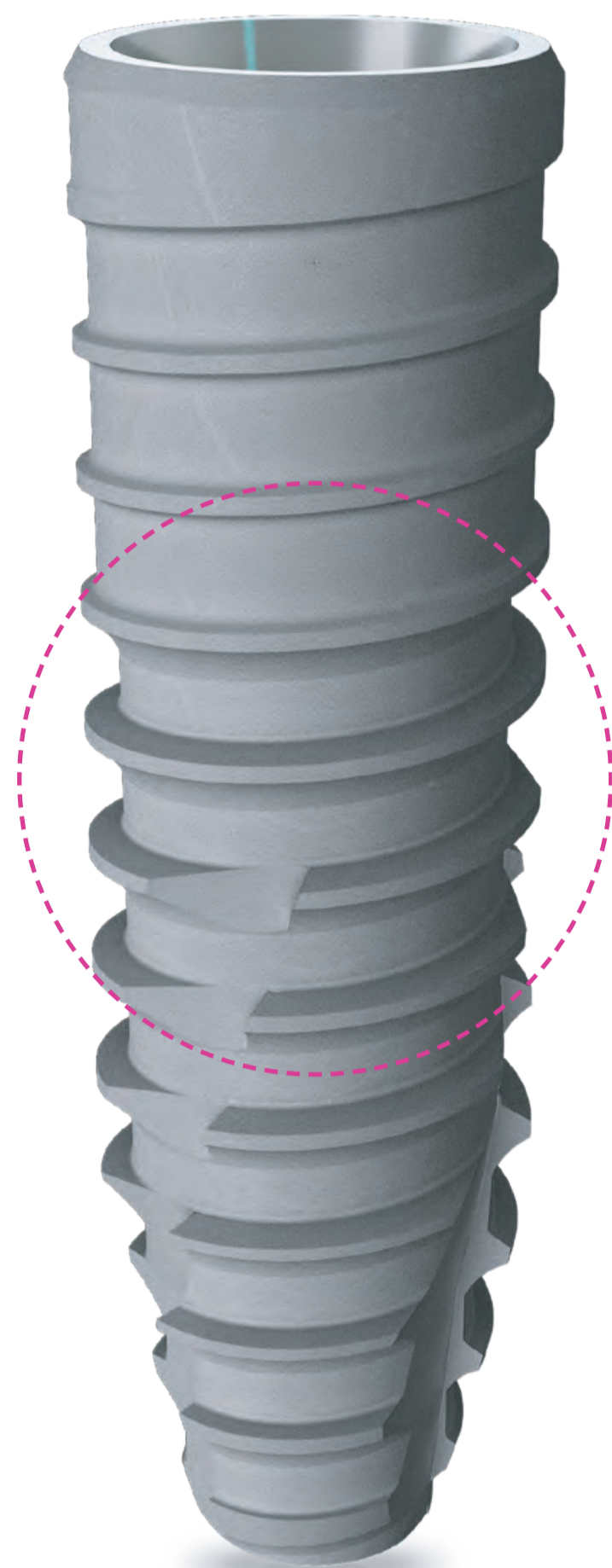


Neobiotech Prosthetic Features



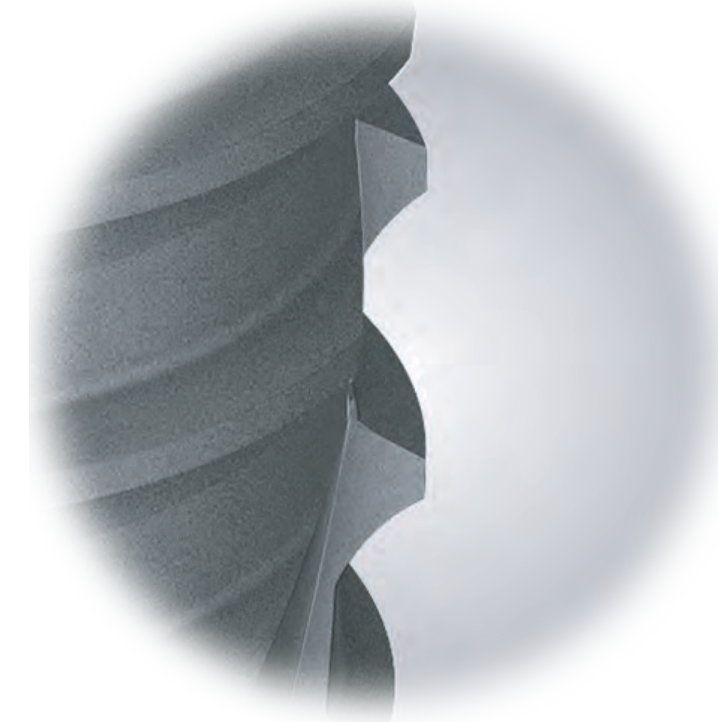
FEATURES

IS-III Active S-Narrow Implant (S.L.A)



S.L.A Surface

The new S.L.A. Surface with 40% greater fur-face area and 50% more cell adhesion promotes osseointegration



Deep & Wide Pitch

Optimum Pitch for Osseointegration (0.9Pitch)



Straight Body

Easy to adjust implantation depth



Wide Cutting Edge

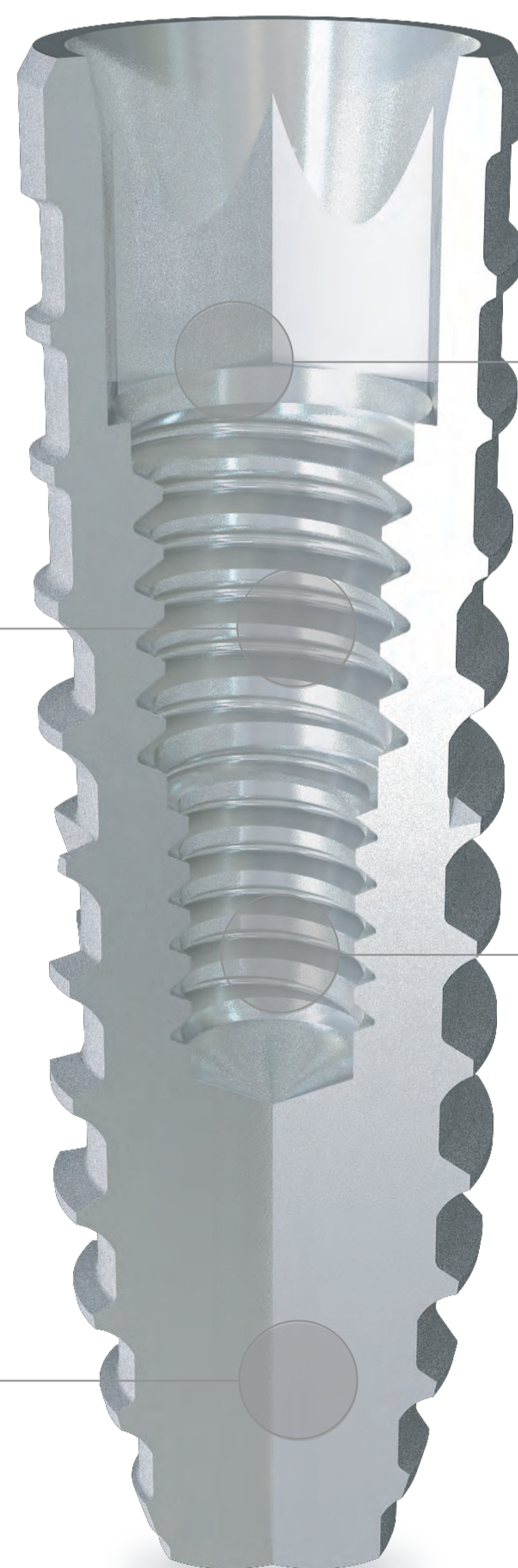
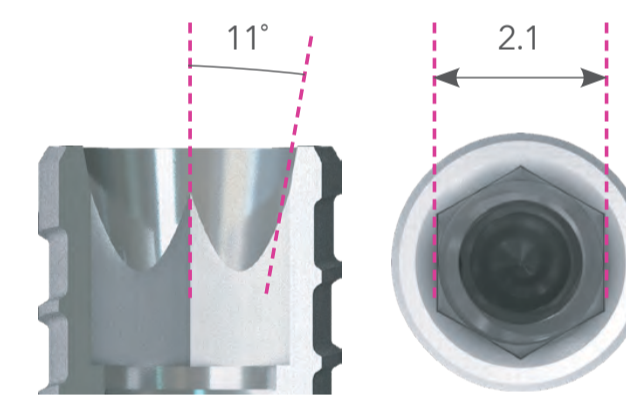
Wide cutting edge and enlarged surface area enhances initial fixation and offers clinicians more stable implant placement



M2.0 Connection

One Piece Type
- Cover Screw
- Healing Abutment

Internal Conical Seal 11° 2.1 Hex

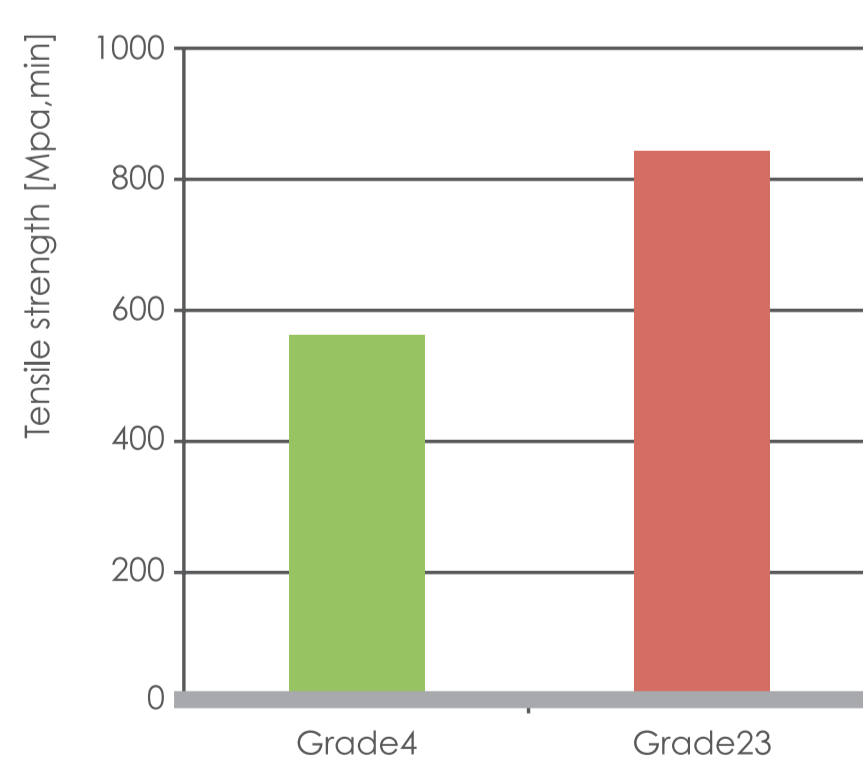


M1.6 Connection Connection

Two-Piece Type
- PickCap Impression Coping
- Temporary Abutment
- Cement Abutment
- Angled Abutment



Grade23 : Ti-6Al-4V ELI



FIXTURE

IS-III Active Implant (S.L.A)

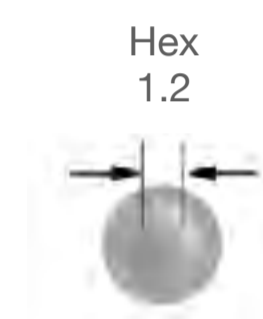
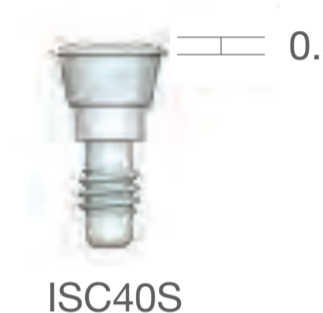
Length(mm)		6.6	7.3	8.5	10.0	11.5	13.0	15.0
Narrow	Ø3.2(P3.0)			IS3SN3008AP	IS3SN3010AP	IS3SN3011AP	IS3SN3013AP	
	Ø3.5(P3.7)			IS33508AP	IS33510AP	IS33511AP	IS33513AP	IS33515AP
Regular	Ø4.0(P4.1)		IS34007AP	IS34008AP	IS34010AP	IS34011AP	IS34013AP	IS34015AP
	Ø4.5(P4.2)		IS34507AP	IS34508AP	IS34510AP	IS34511AP	IS34513AP	IS34515AP
	Ø5.0(P4.35)	IS35006AP	IS35007AP	IS35008AP	IS35010AP	IS35011AP	IS35013AP	IS35015AP
S-Wide	Ø5.5(P4.35)	IS35506AP	IS35507AP	IS35508AP	IS35510AP	IS35511AP	IS35513AP	IS35515AP
	Ø6.0(P4.4)	IS36006AP	IS36007AP	IS36008AP	IS36010AP	IS36011AP	IS36013AP	



* Cover screw included separately at no cost.

Cover Screw

Type	Narrow	Regular / Wide / S-Wide
Product Code	ISN30S	ISC40S



IS-II Active Implant (S.L.A)

Length(mm)		7.3	8.5	10.0	11.5	13.0	15.0
Regular	Ø3.5(P3.5)		BIS3508A	BIS3510A	BIS3511A	BIS3513A	BIS3515A
	Ø4.0(P3.7)	BIS4007A	BIS4008A	BIS4010A	BIS4011A	BIS4013A	BIS4015A
	Ø4.5(P3.8)	BIS4507A	BIS4508A	BIS4510A	BIS4511A	BIS4513A	BIS4515A
	Ø5.0(P4.0)	BIS5007A	BIS5008A	BIS5010A	BIS5011A	BIS5013A	BIS5015A
S-Wide	Ø5.5(P4.53)	BIS5507A	BIS5508A	BIS5510A	BIS5511A	BIS5513A	
	Ø6.0(P4.9)	BIS6007A	BIS6008A	BIS6010A	BIS6011A	BIS6013A	
	Ø7.0(P5.8)	BIS7007A	BIS7008A	BIS7010A	BIS7011A	BIS7013A	

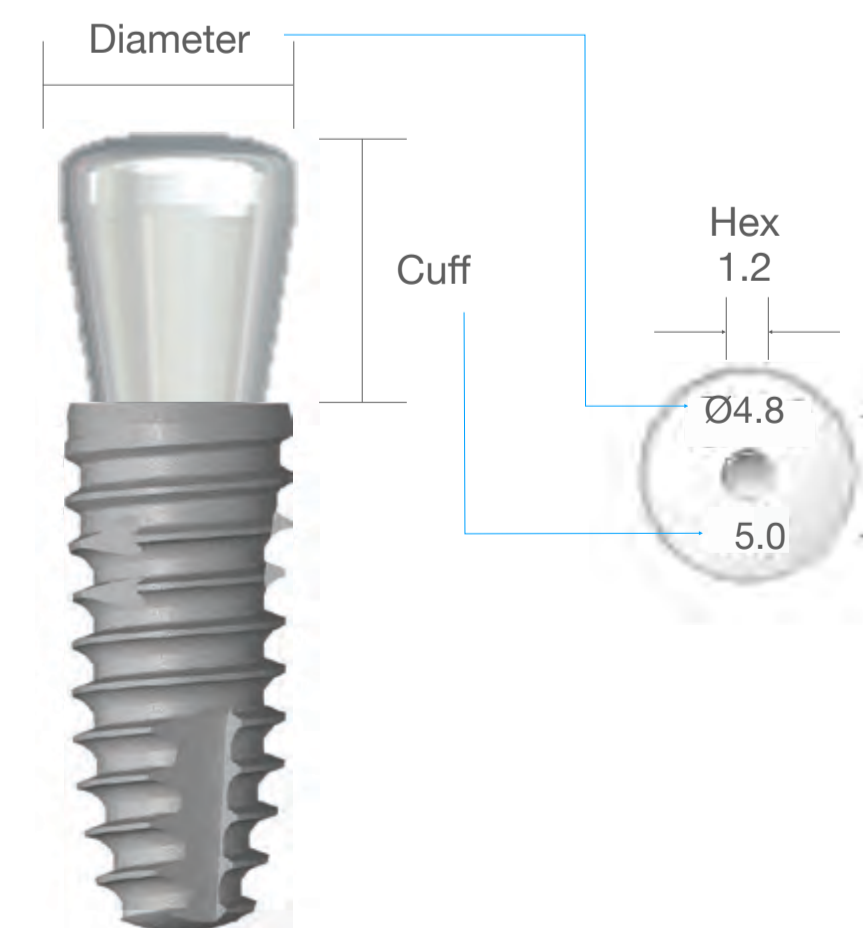


* Cover screw is included with Fixture (Narrow/All 7.3mm Fixtures: ISN30S, Regular/Wide/S-Wide Fixtures: ISC40S)

Healing Abutment

- Hand Tightening

Cuff(mm)		2.0	3.0	4.0	5.0	6.0	7.0
Diameter	Ø4.0	ISUH4002	ISUH4003	ISUH4004	ISUH4005	ISUH4006	
	Ø4.5	ISUH4502	ISUH4503	ISUH4504	ISUH4505	ISUH4506	
	Ø4.8	ISH402	ISH403	ISH404	ISH405	ISH406	ISH407
	Ø5.5	ISH502	ISH503	ISH504	ISH505	ISH506	ISH507
	Ø6.0	ISH602	ISH603	ISH604	ISH605	ISH606	ISH607
	Ø6.8	ISH702	ISH703	ISH704	ISH705	ISH706	ISH707
	Ø8.0	ISH802	ISH803	ISH804			
	Ø9.0	ISH902	ISH903	ISH904			



* Ø8.0, Ø9.0 Healing Abutments are for Custom Abutment

TRANSFER ABUTMENT

• Abutment Screw(ISCS20) included, Tightening Torque: 30Ncm

IS Cemented Abutment (Hex Type)



		Cuff(mm)		1.0	2.0	3.0	4.0	5.0
Diameter	Ø4.5	Length	4.0mm	ISAH4140	ISAH4240	ISAH4340	ISAH4440	ISAH4540
			5.5mm	ISAH415	ISAH425	ISAH435	ISAH445	ISAH455
			7.0mm	ISAH417	ISAH427	ISAH437	ISAH447	ISAH457



		Cuff(mm)		1.0	2.0	3.0	4.0	5.0
Diameter	Ø5.2	Length	4.0mm	ISAH5140	ISAH5240	ISAH5340	ISAH5440	ISAH5540
			5.5mm	ISAH515	ISAH525	ISAH535	ISAH545	ISAH555
			7.0mm	ISAH517	ISAH527	ISAH537	ISAH547	ISAH557



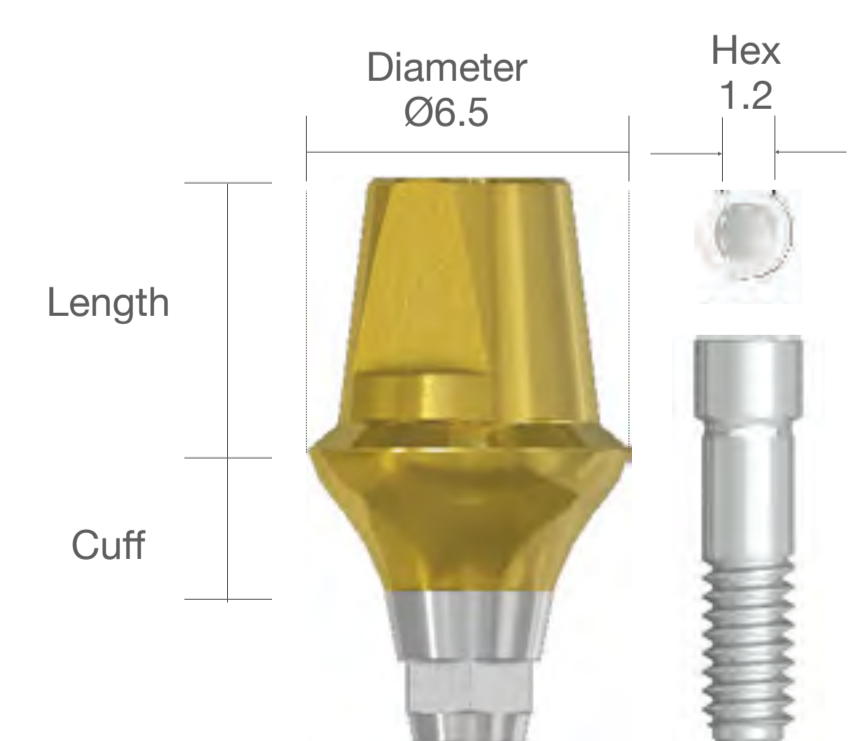
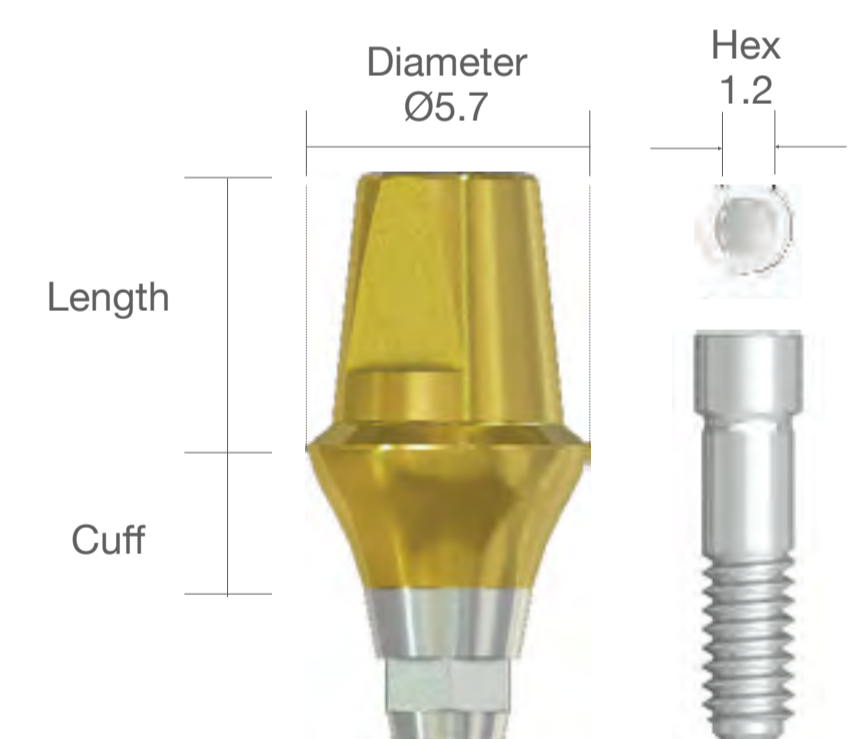
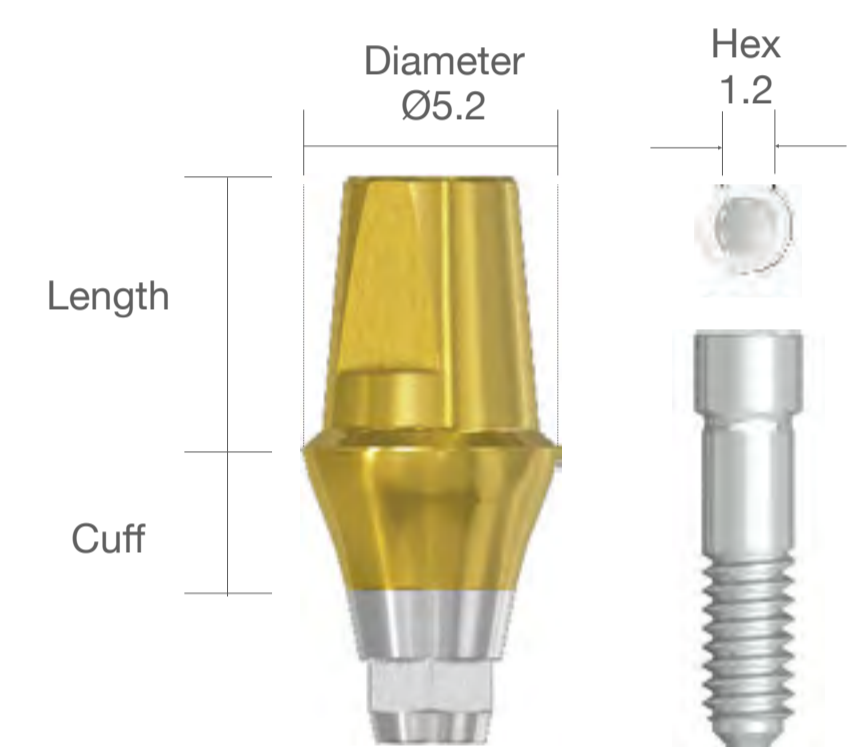
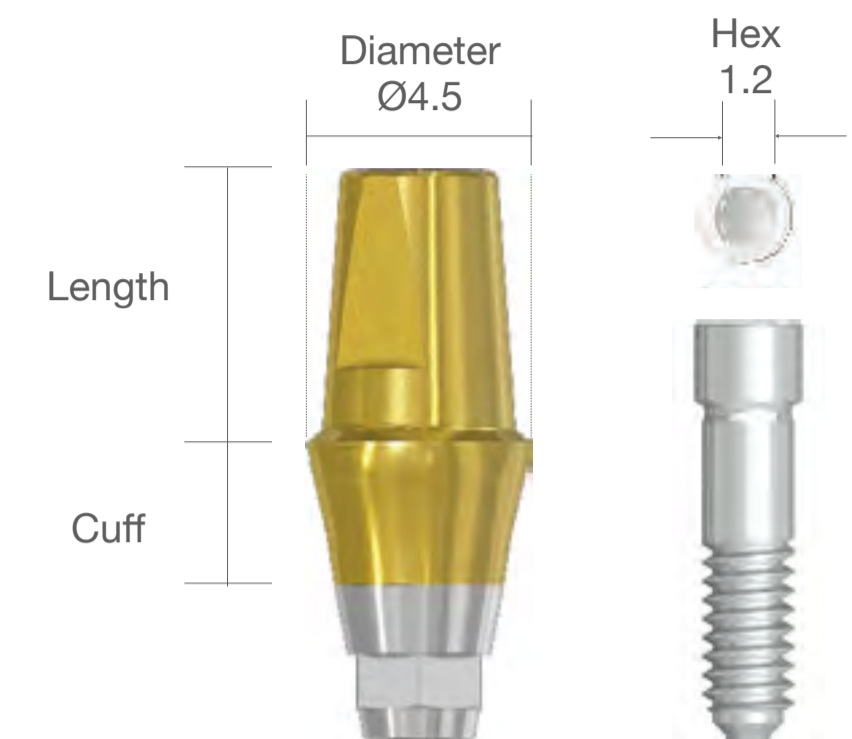
		Cuff(mm)		1.0	2.0	3.0	4.0	5.0
Diameter	Ø5.7	Length	4.0mm	ISAH6140	ISAH6240	ISAH6340	ISAH6440	ISAH6540
			5.5mm	ISAH615	ISAH625	ISAH635	ISAH645	ISAH655
			7.0mm	ISAH617	ISAH627	ISAH637	ISAH647	ISAH657



		Cuff(mm)		1.0	2.0	3.0	4.0	5.0
Diameter	Ø6.5	Length	4.0mm	ISAH7140	ISAH7240	ISAH7340	ISAH7440	ISAH7540
			5.5mm	ISAH715	ISAH725	ISAH735	ISAH745	ISAH755

Abutment Screw

Product Code	ISCS20
--------------	--------



TRANSFER ABUTMENT

• Abutment Screw (ISCS20) included, Tightening Torque: 30Ncm

IS Cemented Abutment (SCR[®] Type)



		Cuff(mm)		1.0	2.0	3.0	4.0	5.0
Diameter	Ø4.5	Length	4.0mm	ISAS4140	ISAS4240	ISAS4340	ISAS4440	ISAS4540
			5.5mm	ISAS415	ISAS425	ISAS435	ISAS445	ISAS455
			7.0mm	ISAS417	ISAS427	ISAS437	ISAS447	ISAS457



		Cuff(mm)		1.0	2.0	3.0	4.0	5.0
Diameter	Ø5.2	Length	4.0mm	ISAS5140	ISAS5240	ISAS5340	ISAS5440	ISAS5540
			5.5mm	ISAS515	ISAS525	ISAS535	ISAS545	ISAS555
			7.0mm	ISAS517	ISAS527	ISAS537	ISAS547	ISAS557



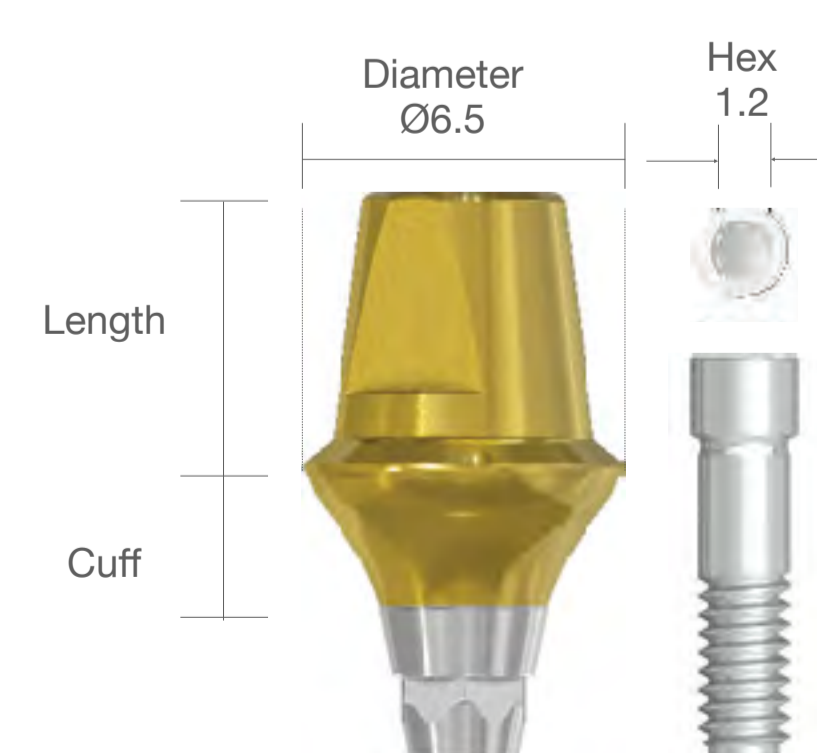
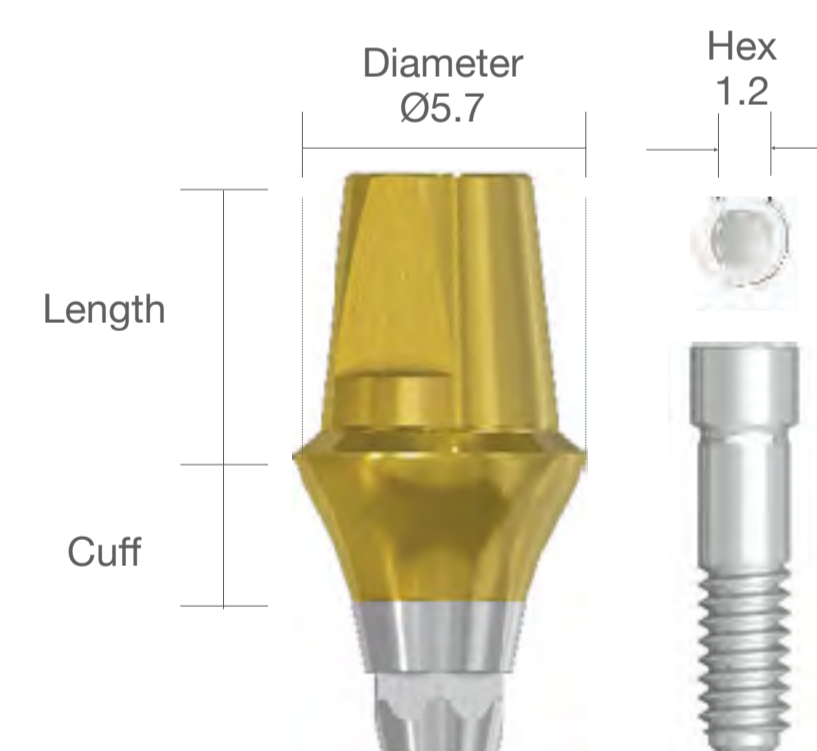
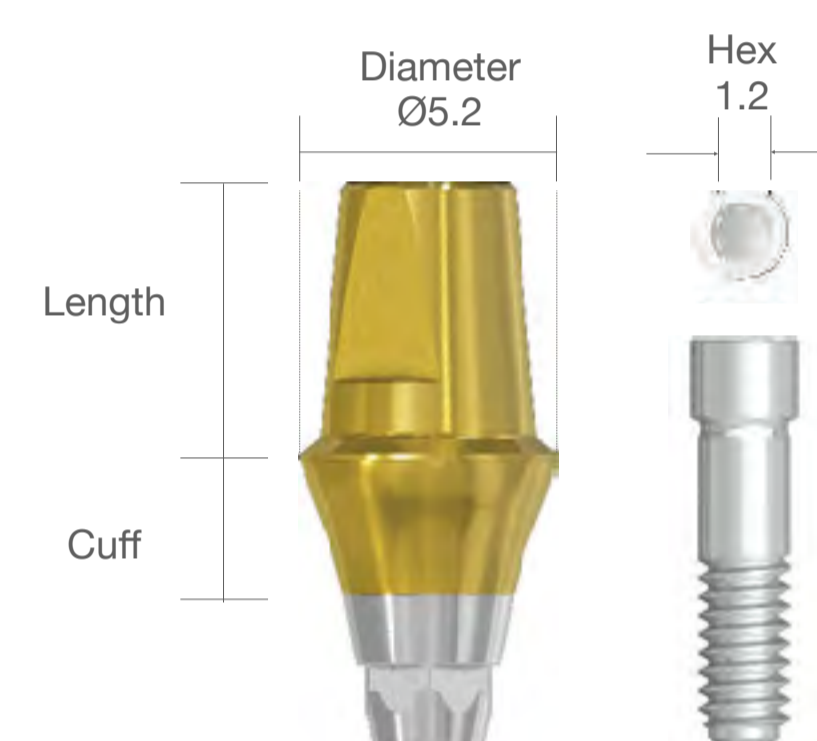
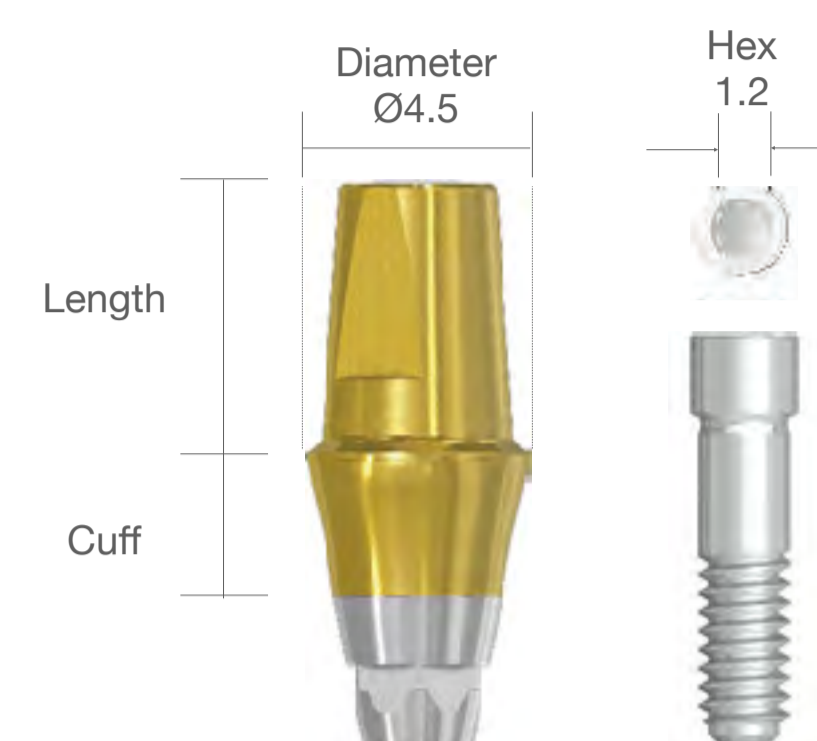
		Cuff(mm)		1.0	2.0	3.0	4.0	5.0
Diameter	Ø5.7	Length	4.0mm	ISAS6140	ISAS6240	ISAS6340	ISAS6440	ISAS6540
			5.5mm	ISAS615	ISAS625	ISAS635	ISAS645	ISAS655
			7.0mm	ISAS617	ISAS627	ISAS637	ISAS647	ISAS657



		Cuff(mm)		1.0	2.0	3.0	4.0	5.0
Diameter	Ø6.5	Length	4.0mm	ISAS7140	ISAS7240	ISAS7340	ISAS7440	ISAS7540
			5.5mm	ISAS715	ISAS725	ISAS735	ISAS745	ISAS755

Abutment Screw

Product Code	ISCS20
--------------	--------



TRANSFER ABUTMENT

• Abutment Screw(ISCS20) included, Tightening Torque: 30Ncm

IS Cemented Abutment (Non-Hex Type)



Diameter	Ø4.5	Length	Cuff(mm)				
			1.0	2.0	3.0	4.0	5.0
			4.0mm	ISAN4140	ISAN4240	ISAN4340	ISAN4440
		5.5mm	ISAN415	ISAN425	ISAN435	ISAN445	ISAN455
		7.0mm	ISAN417	ISAN427	ISAN437	ISAN447	ISAN457



Diameter	Ø5.2	Length	Cuff(mm)				
			1.0	2.0	3.0	4.0	5.0
			4.0mm	ISAN5140	ISAN5240	ISAN5340	ISAN5440
		5.5mm	ISAN515	ISAN525	ISAN535	ISAN545	ISAN555
		7.0mm	ISAN517	ISAN527	ISAN537	ISAN547	ISAN557



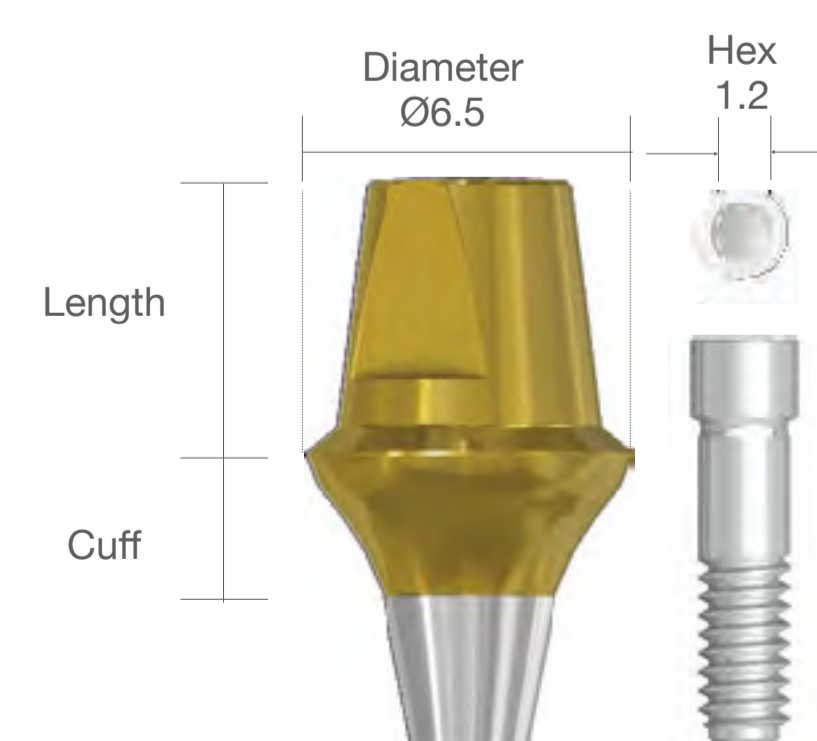
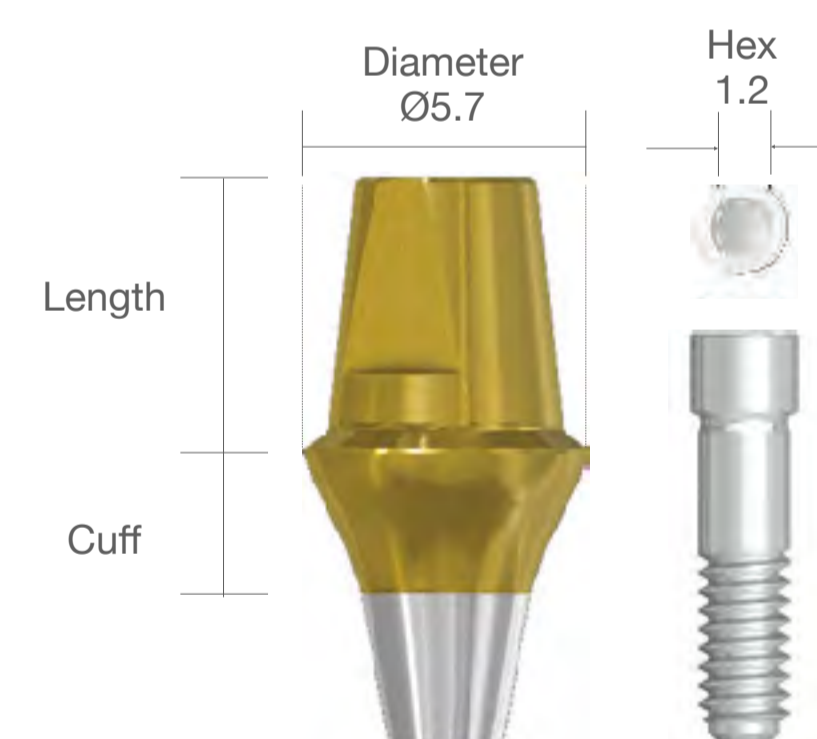
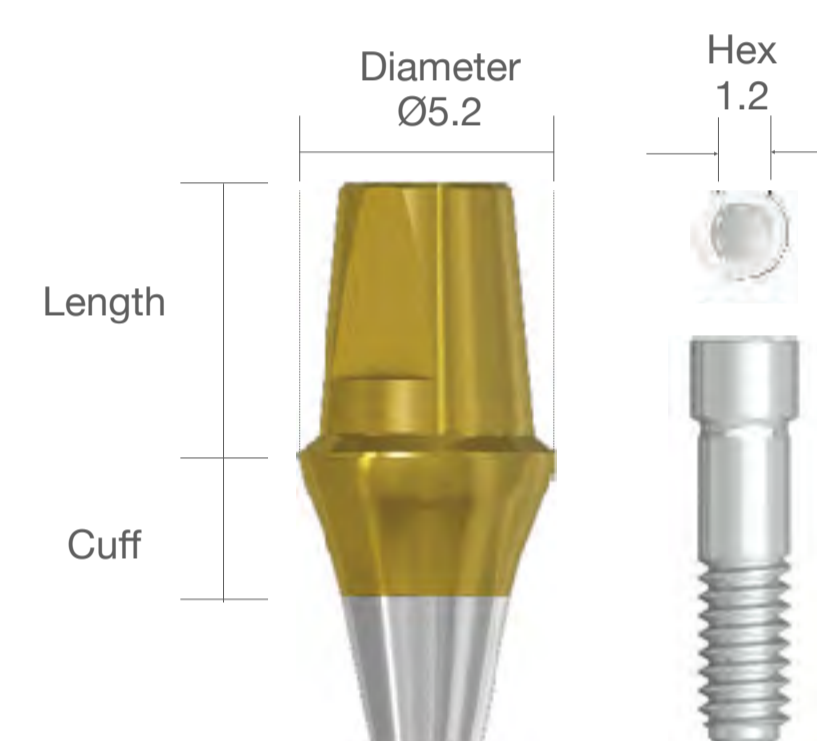
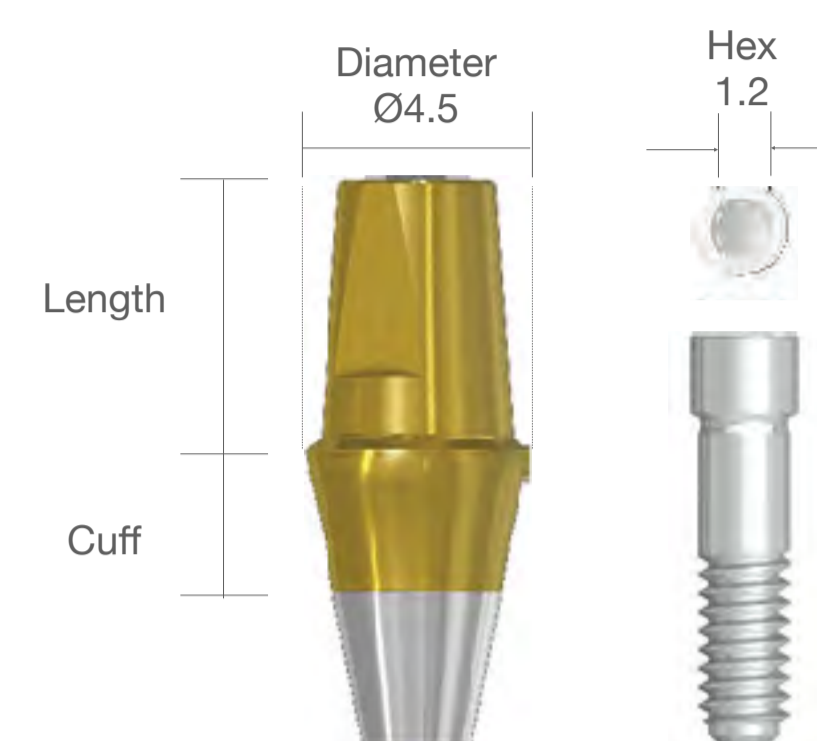
Diameter	Ø5.7	Length	Cuff(mm)				
			1.0	2.0	3.0	4.0	5.0
			4.0mm	ISAN6140	ISAN6240	ISAN6340	ISAN6440
		5.5mm	ISAN615	ISAN625	ISAN635	ISAN645	ISAN655
		7.0mm	ISAN617	ISAN627	ISAN637	ISAN647	ISAN657



Diameter	Ø6.5	Length	Cuff(mm)				
			1.0	2.0	3.0	4.0	5.0
			4.0mm	ISAN7140	ISAN7240	ISAN7340	ISAN7440
		5.5mm	ISAN715	ISAN725	ISAN735	ISAN745	ISAN755

Abutment Screw

Product Code	ISCS20
--------------	--------



ANGLED ABUTMENT

• Abutment Screw(ISCS20) included, Tightening Torque: 30Ncm

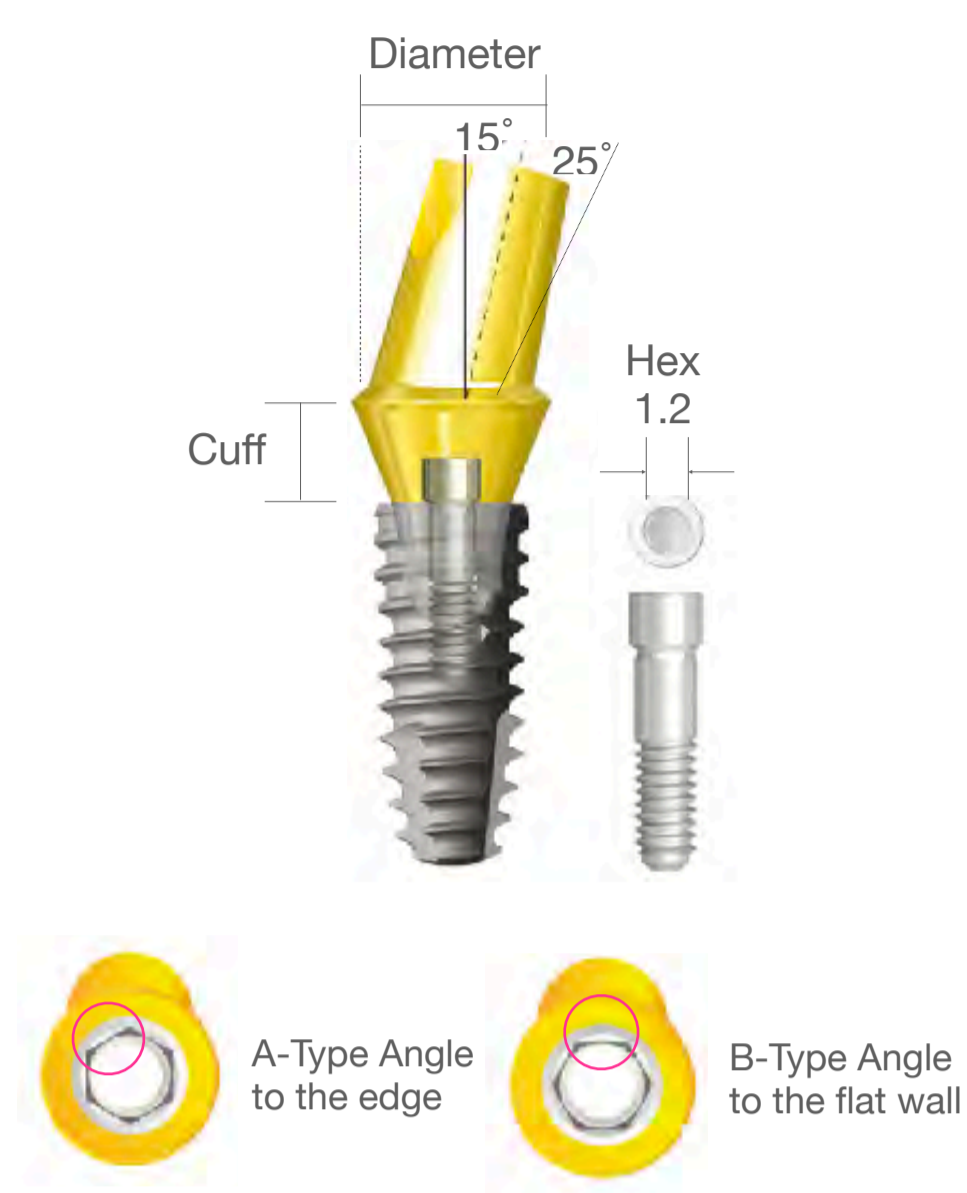
IS Angled Abutment

15 degree

Cuff(mm)		2.0	3.0	4.0
Ø4.5	A Type	ISAHA1427	ISAHA1437	ISAHA1447
	B Type	ISAHB1427	ISAHB1437	ISAHB1447
	Non-Hex	ISANA1427	ISANA1437	ISANA1447
Ø5.2	A Type	ISAHA1527	ISAHA1537	ISAHA1547
	B Type	ISAHB1527	ISAHB1537	ISAHB1547
	Non-Hex	ISANA1527	ISANA1537	ISANA1547
Ø5.7	A Type	ISAHA1627	ISAHA1637	ISAHA1647
	B Type	ISAHB1627	ISAHB1637	ISAHB1647
	Non-Hex	ISANA1627	ISANA1637	ISANA1647

25 degree

Cuff(mm)		2.0	3.0	4.0
Ø4.5	A Type	ISAHA2427	ISAHA2437	ISAHA2447
	B Type	ISAHB2427	ISAHB2437	ISAHB2447
	Non-Hex	ISANA2427	ISANA2437	ISANA2447
Ø5.2	A Type	ISAHA2527	ISAHA2537	ISAHA2547
	B Type	ISAHB2527	ISAHB2537	ISAHB2547
	Non-Hex	ISANA2527	ISANA2537	ISANA2547
Ø5.7	A Type	ISAHA2627	ISAHA2637	ISAHA2647
	B Type	ISAHB2627	ISAHB2637	ISAHB2647
	Non-Hex	ISANA2627	ISANA2637	ISANA2647



* Customizable by grinding. Can be positioned in 12 directions by selecting A or B type.

Intra Oral Scan Body

Diameter	Product Code
Ø4.0	ISPSBH40NB
Ø5.0	ISPSBH50NB



TruScan Body *

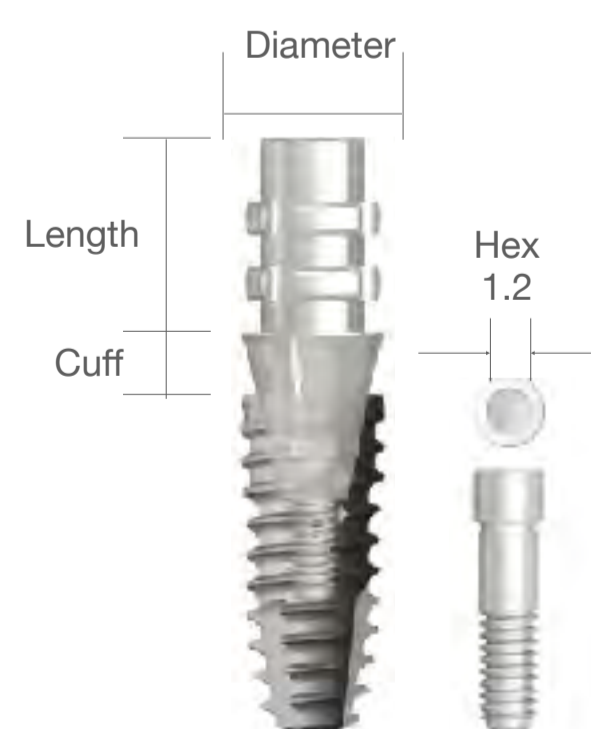
Type	Platform Size	Length(mm)	Product Code
IS	Regular	One Size	DUR-SB
	Mini (S-Narrow only)		OTM-SB
IT	Regular	One Size	STR-SB
	Wide (Ø6.5 & above)		STW-SB



* TruAbutment products.

IS Temporary Abutment

Cuff(mm)	2.0	2.0	2.0
Length(mm)	6.0	8.0	13.0
Hex Type Ø4.5	ISAHT460	ISAHT480	ISAHT4130
SCRIP Type Ø4.5	ISAST460	ISAST480	ISAST4130
Non-Hex Type Ø4.5	ISANT460	ISANT480	ISANT4130



Tru Base *

Type	Platform Size	Length(mm)	Product Code
IS	Regular	3.5	DUR-B13S
		5.5	DUR-B15S
	Mini (S-Narrow only)	3.5	OTM-B13S
		5.5	OTM-B15S
IT	Regular Neck	3.5	STR-B13S
	Wide Neck (Ø6.5 & above)		STW-B13S



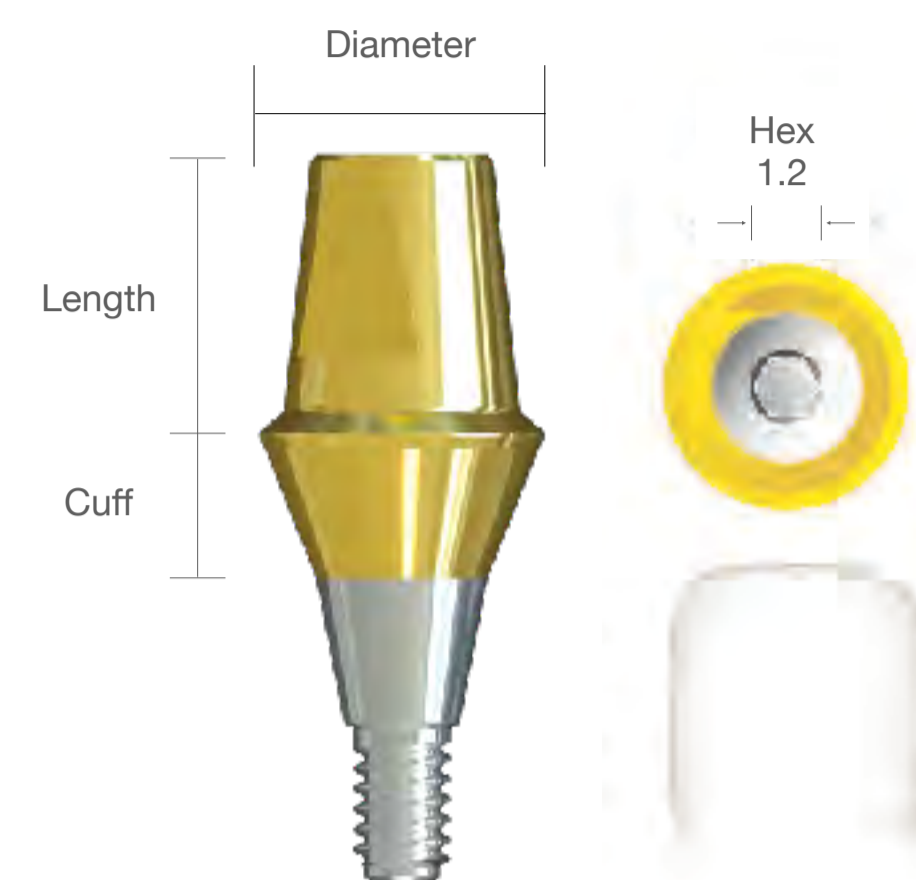
* TruAbutment products.

SOLID ABUTMENT & RELATED

• Abutment Screw(ISCS20) included, Tightening Torque: 30Ncm

IS Solid Abutment

Cuff(mm)		1.0	2.0	3.0	4.0	5.0
Ø4.5	4.0mm	ISAE4140	ISAE4240	ISAE4340	ISAE4440	ISAE4540
	5.5mm	ISAE415	ISAE425	ISAE435	ISAE445	ISAE455
	7.0mm	ISAE417	ISAE427	ISAE437	ISAE447	ISAE457
Ø5.2	4.0mm	ISAE5140	ISAE5240	ISAE5340	ISAE5440	ISAE5540
	5.5mm	ISAE515	ISAE525	ISAE535	ISAE545	ISAE555
	7.0mm	ISAE517	ISAE527	ISAE537	ISAE547	ISAE557
Ø5.7	4.0mm	ISAE6140	ISAE6240	ISAE6340	ISAE6440	ISAE6540
	5.5mm	ISAE615	ISAE625	ISAE635	ISAE645	ISAE655
	7.0mm	ISAE617	ISAE627	ISAE637	ISAE647	ISAE657
Ø6.5	5.5mm	ISAE715	ISAE725	ISAE735	ISAE745	ISAE755



Protective Cap

Diameter Ø4.5

Length(mm)	4.5	5.5	7.0
Product Code	ISPTC445	ISPTC455	ISPTC470

Diameter Ø5.7

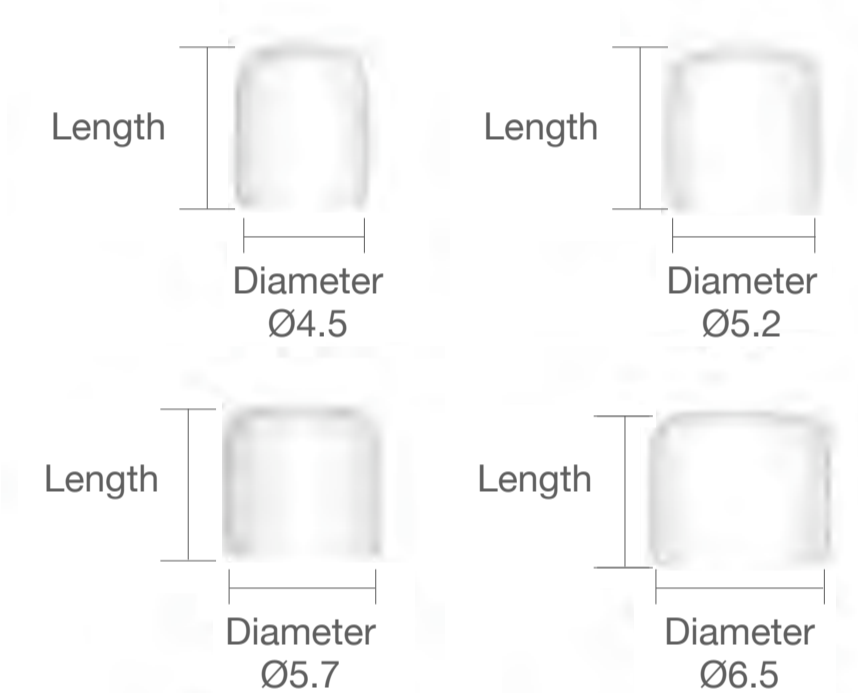
Length(mm)	4.5	5.5	7.0
Product Code	ISPTC645	ISPTC655	ISPTC670

Diameter Ø5.2

Length(mm)	4.5	5.5	7.0
Product Code	ISPTC545	ISPTC555	ISPTC570

Diameter Ø6.5

Length(mm)	4.5	5.5	7.0
Product Code	ISPTC745	ISPTC755	ISPTC770



Impression Cap

Diameter Ø4.5

Product Code	ISPIC411
--------------	----------

Diameter Ø5.7

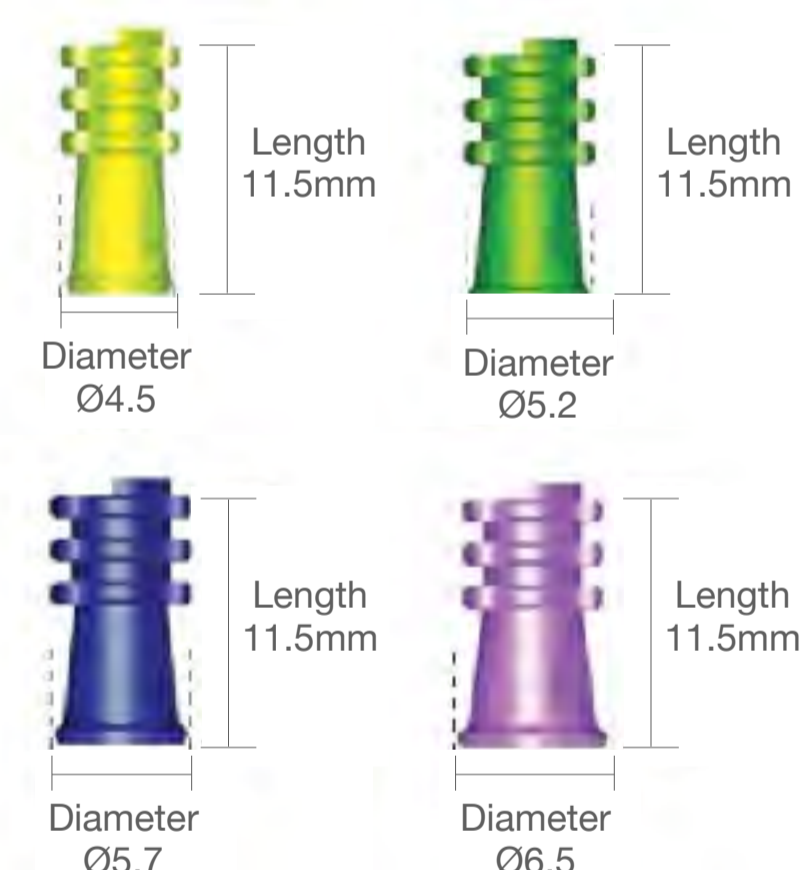
Product Code	ISPIC611
--------------	----------

Diameter Ø5.2

Product Code	ISPIC511
--------------	----------

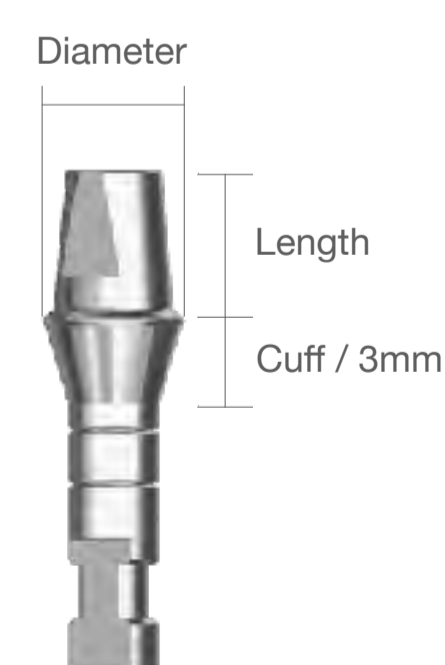
Diameter Ø6.5

Product Code	ISPIC711
--------------	----------



Lab Analog

Length(mm)	4.0	5.5	7.0
Ø4.5	ISLA440	ISLA455	ISLA470
Ø5.2	ISLA540	ISLA555	ISLA570
Ø5.7	ISLA640	ISLA655	ISLA670
Ø6.5	ISLA740	ISLA755	ISLA770



Plastic Coping

Diameter	Ø4.5	Ø5.2	Ø5.7	Ø6.5
Hex	ISPCH410	ISPCH510	ISPCH610	ISPCH710
Non-Hex	ISPCN410	ISPCN510	ISPCN610	ISPCN710



MULTI UNIT ABUTMENT - NEOBIOTECH

• Screw-retained abutment for multiple or bridges, Tightening Torque: 30Ncm, Cylinder Screw: 15Ncm

IS Multi Unit Abutment



Cuff(mm)	1.0	2.0	3.0	4.0
Product Code	ISMUA4810S	ISMUA4820S	ISMUA4830S	ISMUA4840S

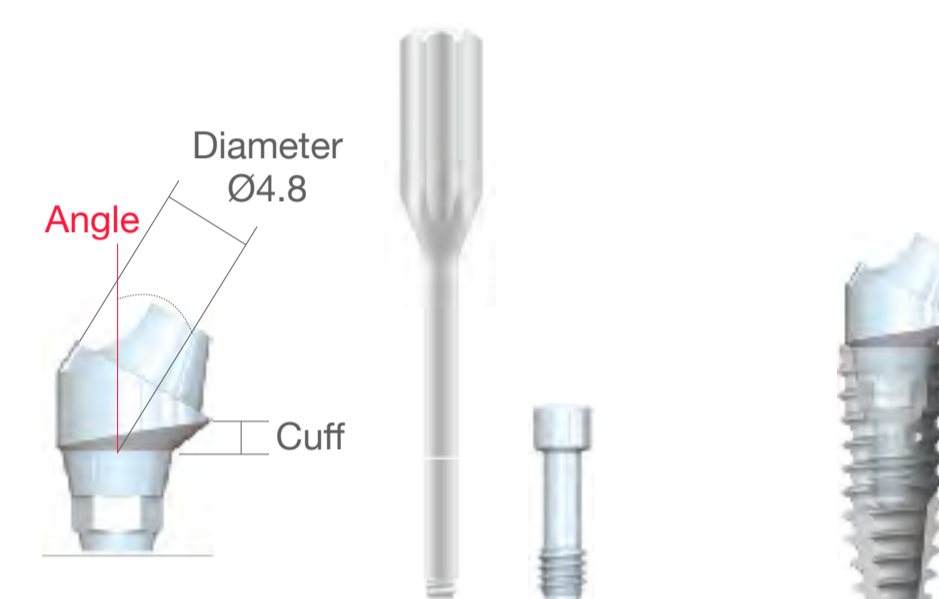


* Holder(MUAH48) is included

IS Multi Unit Angled Abutment



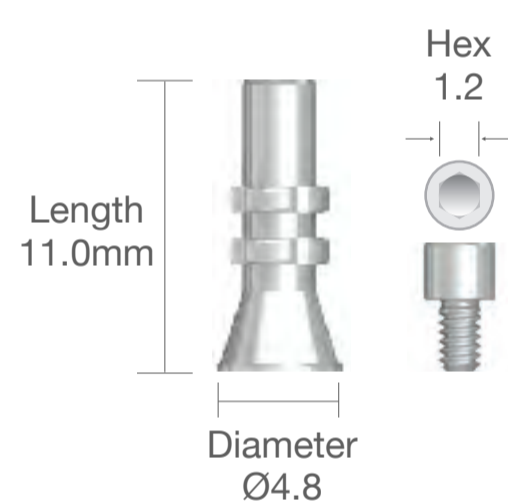
Cuff(mm)		1.0	2.0	3.0	4.0
Hex	17°	ISAHMUA1410S	ISAHMUA1420S	ISAHMUA1430S	ISAHMUA1440S
	30°	ISAHMUA3410S	ISAHMUA3420S	ISAHMUA3430S	ISAHMUA3440S
Non-Hex	17°	ISANMUA1410S	ISANMUA1420S	ISANMUA1430S	ISANMUA1440S
	30°	ISANMUA3410S	ISANMUA3420S	ISANMUA3430S	ISANMUA3440S



* Holder is included

Temporary Cylinder, Non-Hex

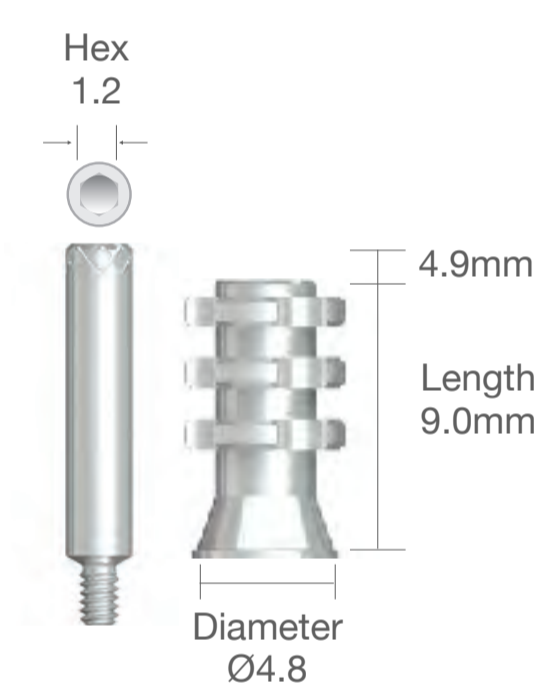
Length(mm)	11.0
Product Code	MUATPCN48



* Cylinder Screw(MUAS14) is included

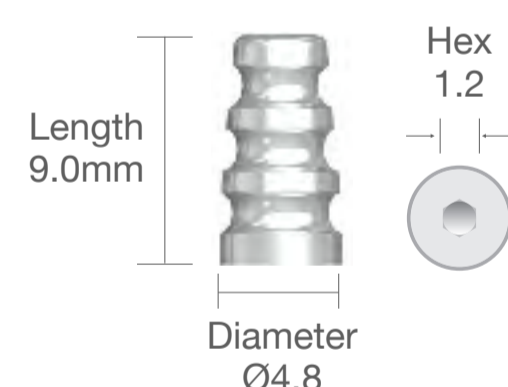
Pick-up Impression Coping

Length(mm)	9.0
Product Code	MUAIP48



Transfer Impression Coping

Length(mm)	9.0
Product Code	MUAIT48



Healing Cap

Length(mm)	4.1
Product Code	MUAHC48



Lab Analog

Product Code	MUALA48
--------------	---------



1.2 Hex Driver

Length(mm)	10.0	15.0
Product Code	HD1210S	HD1215S



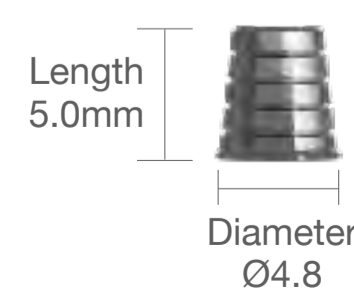
Multi Unit Abutment Driver

Product Code	MUAD48S
--------------	---------



Multi Unit Abutment Cylinder

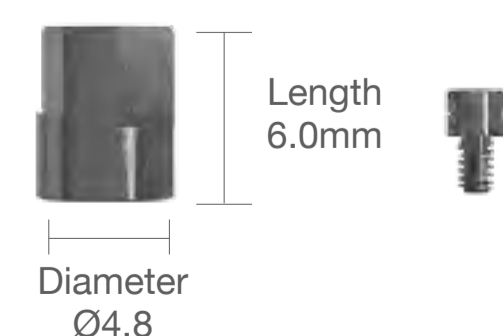
Product Code	MUAC48
--------------	--------



* Cylinder Screw(MUAS14) is included

Multi Unit Abutment Scan Body

Product Code	MUASB48
--------------	---------








* Scan Body Screw(MUASBS14) is included

KERATOR ABUTMENT






Regular Fixture (Ø3.5~Ø7.0)

Straight Abutment

Set	Straight Abutment						Male Cap					
Cuff(mm)	1.0	2.0	3.0	4.0	5.0	6.0						
Diameter	Ø4.0	AS401	AS402	AS403	AS404	AS405	AS406	Metal Housing	White Spacer	2.4 lbs	1.2 lbs	Extra Light Angled

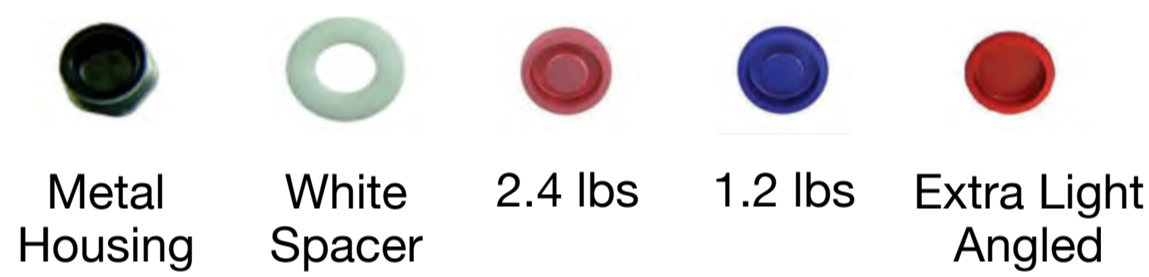


Angled Abutment

Set	Angled Abutment		Male Cap				
Diameter	Ø4.0						
Degree	15°		Metal Housing	White Spacer	2.4 lbs	1.2 lbs	Extra Light Angled
Cuff(mm)	1.5		AS4AN1.5		AS4AN3.0		
Product Code	AS4AN1.5		AS4AN3.0				



Male Processing Cap



Product Code	CDPHSET
--------------	---------

Male Cap (Each)

Type (Color)	Product Code
White	CDPH WHITE
Black	CDPH BLACK
Blue	CDPH BLUE
Red	CDPH RED
Pink	CDPH PINK



Tool

Product Code	KMT002
--------------	--------



Tip

Product Code	KMD719
--------------	--------



Coping

Product Code	DKI4845
--------------	---------



Analog

Product Code	DKA3854
--------------	---------



BALL ABUTMENT

• Abutment Screw(ISCS20) included, Tightening Torque: 30Ncm

• Compensation degree: Max 20° between implants

Ball Abutment

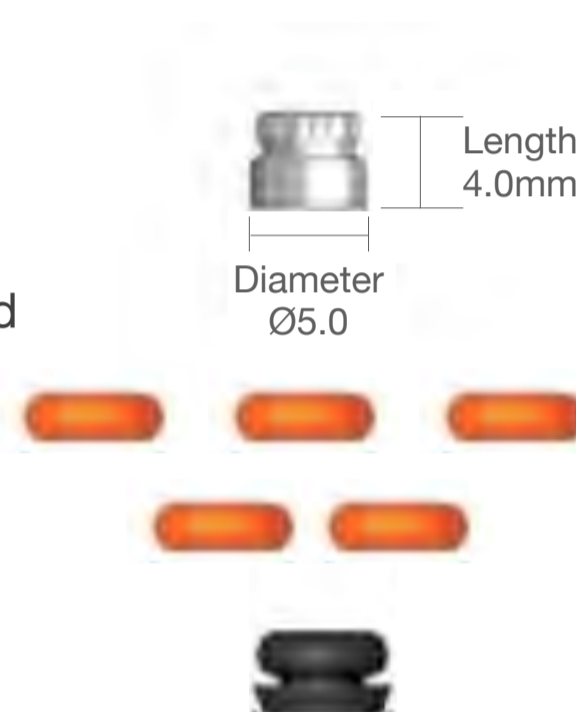
Cuff(mm)	1.0	2.0	3.0	4.0
Product Code	ISABA100	ISABA200	ISABA300	ISABA400



Housing Set

Product Code	BAH40
--------------	-------

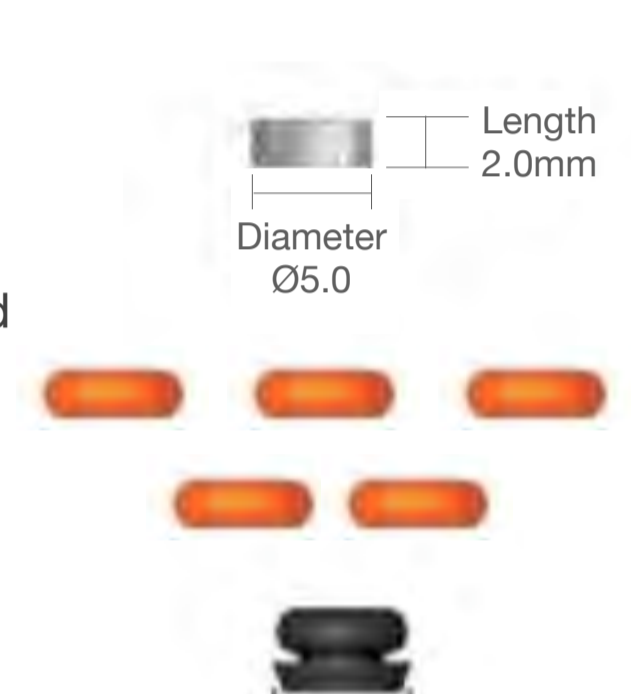
• O-ring(BAORING) 5ea. and O-ring(BAOIMP) 1ea. Included



Retainer Set

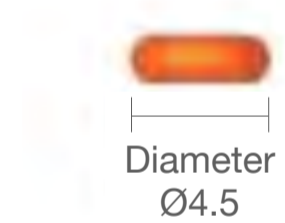
Product Code	BAR20
--------------	-------

• O-ring(BAORING) 5ea. and O-ring(BAOIMP) 1ea. Included



O-Ring (Clinical)

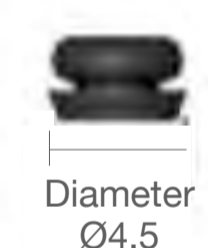
Product Code	BAORING
--------------	---------



O-Ring (Lab)

Product Code	BAOIMP
--------------	--------

- 3ea. Included
- Prevents the resin flowing into the under of housing or Retainer
 1. While making a final resin denture at laboratory
 2. While inserting Housing or Retainer within denture directly at the office



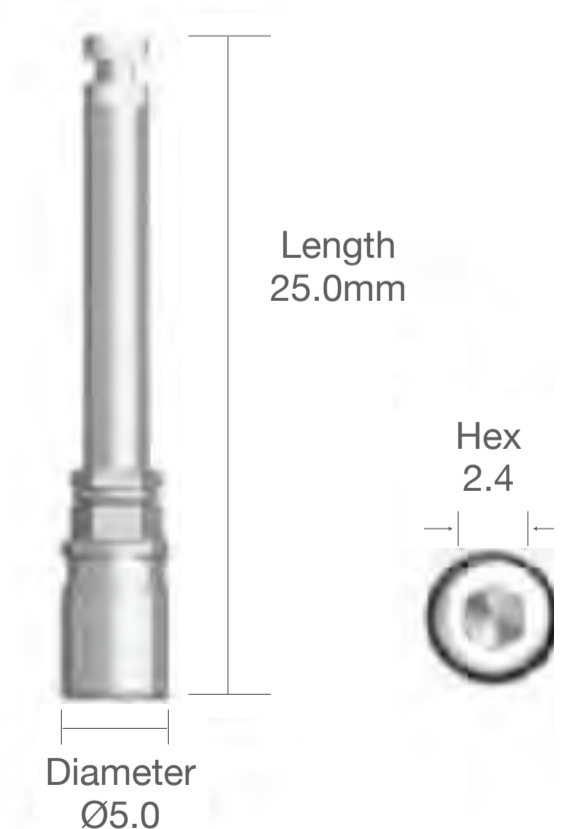
Ball Lab Analog

Product Code	BALA350
--------------	---------



Ball Abutment Driver

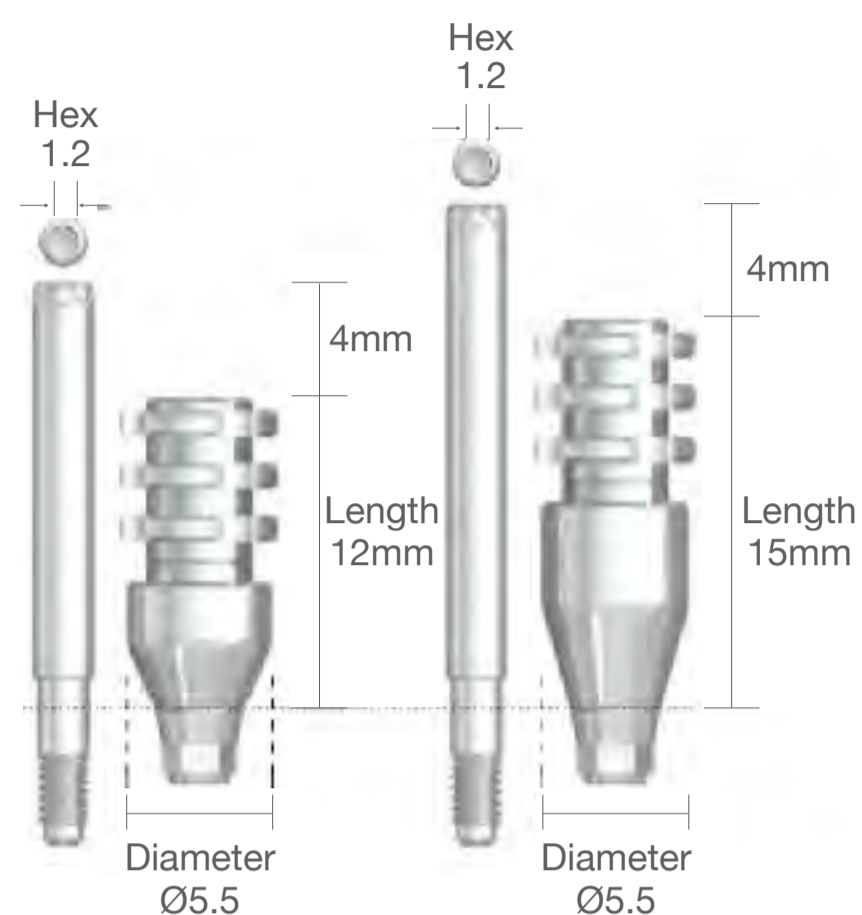
Product Code	BADH24
--------------	--------



IMPRESSION COPING

Pick-up Impression Coping (Open Tray)

Diameter	Length(mm)	Hex	SCRIP	Non-Hex
Ø4.0	Short(12.0mm)	ISIPH400	ISIPS400	ISIPN400
	Long(15.0mm)	ISIPHL400	ISIPSL400	ISIPNL400
Ø4.5	Short(12.0mm)	ISIPH450	ISIPS450	ISIPN450
	Long(15.0mm)	ISIPHL450	ISIPSL450	ISIPNL450
Ø4.8	Short(12.0mm)	ISIPH411	ISIPS411	ISIPN411
	Long(15mm)	ISIPHL411	ISIPSL411	ISIPNL411
Ø5.5	Short(12.0mm)	ISIPH511	ISIPS511	ISIPN511
	Long(15.0mm)	ISIPHL511	ISIPSL511	ISIPNL511
Ø6.0	Short(12.0mm)	ISIPH611	ISIPS611	ISIPN611
	Long(15.0mm)	ISIPHL611	ISIPSL611	ISIPNL611



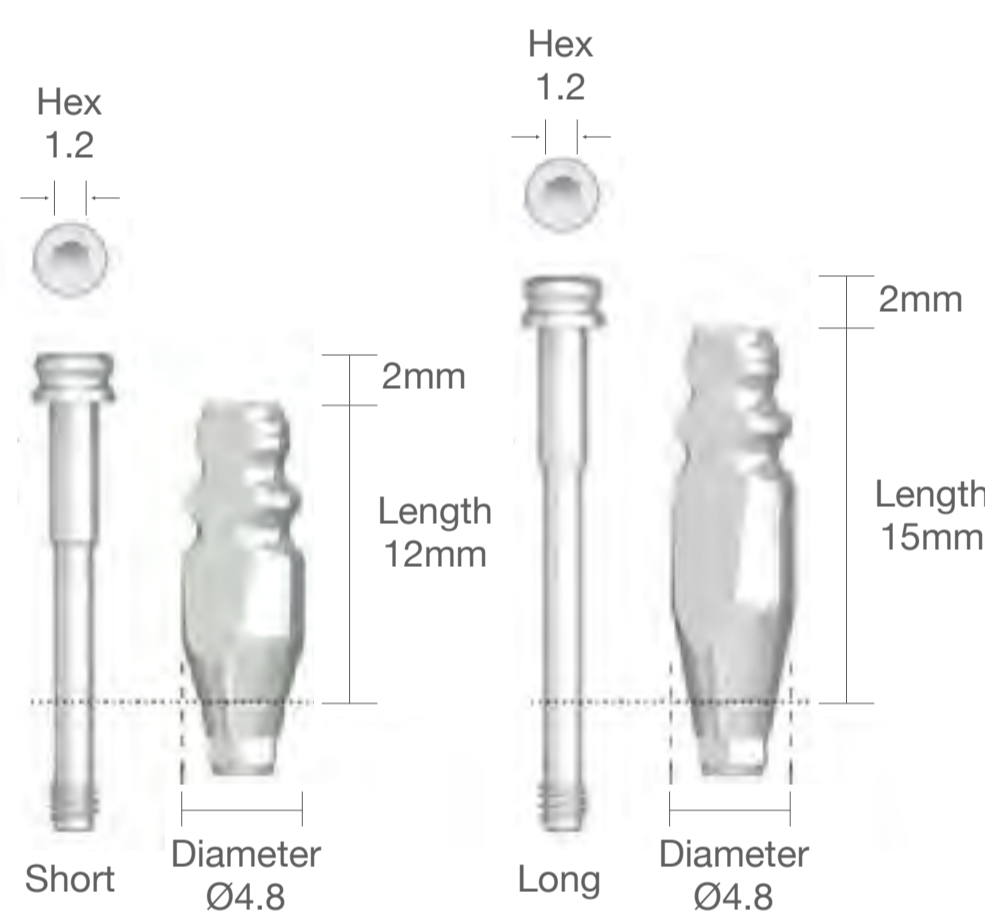
Impression Coping Screw



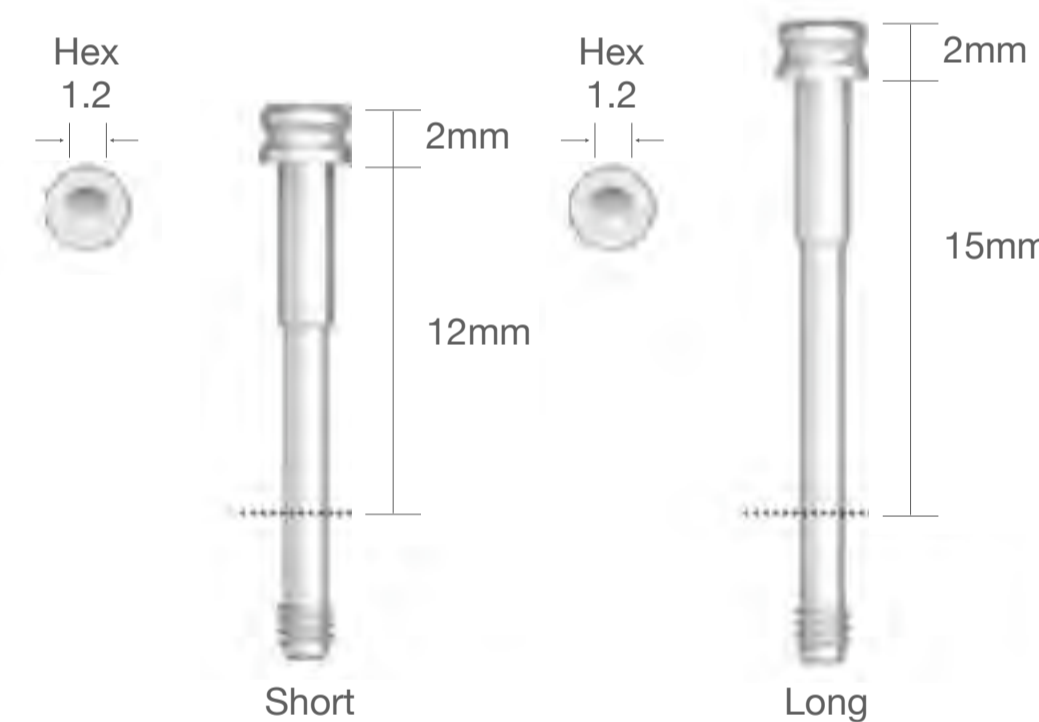
Short	ISPIS20
Long	ISPISL20

Transfer Impression Coping (Closed Tray)

Diameter	Length(mm)	Hex	Non-Hex
Ø4.8	Short(12.0mm)	ISITH411	ISITN411
	Long(15.0mm)	ISITHL411	ISITNL411
Ø5.5	Short(12.0mm)	ISITH511	ISITN511
	Long(15.0mm)	ISITHL511	ISITNL511
Ø6.0	Short(12.0mm)	ISITH611	ISITN611
	Long(15.0mm)	ISITHL611	ISITNL611



Impression Coping HEX Screw



Short	ISTIS20H
Long	ISTISL20H

Lab Analog



Diameter	Ø3.2	Ø3.8	Ø4.3
Product Code	ISLA300	ISLA400	ISLA500

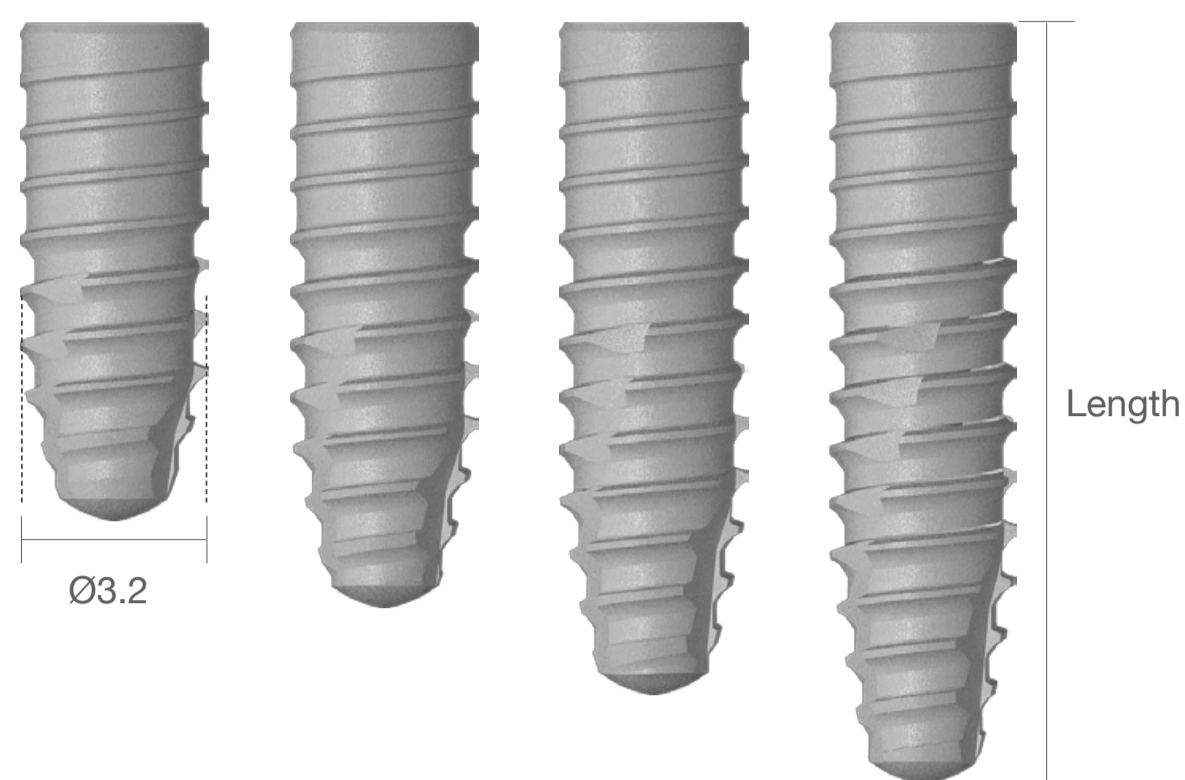
Clinical Guide

Fixture	Ø3.2	Ø3.5	Ø4.0 and above
Analog	ISLA300 Only	ISLA400 Only	ISLA500 Only
Abutment	Ø3.5 Only	All abutment except Ø3.5	All abutment except Ø3.5

* S-Narrow implants (Ø3.2mm) refer to page 18.

IS-III ACTIVE S-NARROW FIXTURE

Fixture



Diameter	Length(mm)	Product Code
Ø3.2	8.5	IS3SN3008AP
Ø3.2	10.0	IS3SN3010AP
Ø3.2	11.5	IS3SN3011AP
Ø3.2	13.0	IS3SN3013AP

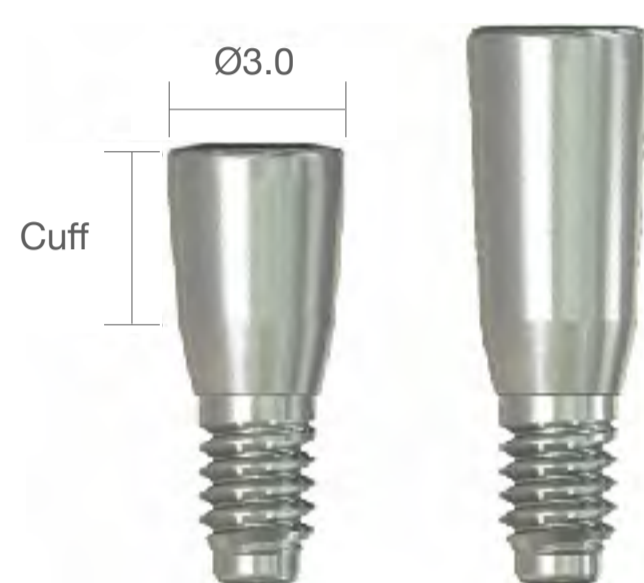
* Cover screw included separately at no cost.

Cover Screw



Diameter	Product Code
Ø3.0	ISC25S

Healing Abutment



Diameter	Ø3.0	Ø3.0
Cuff(mm)	3.0	5.0
Product Code	ISH3003	ISH3005

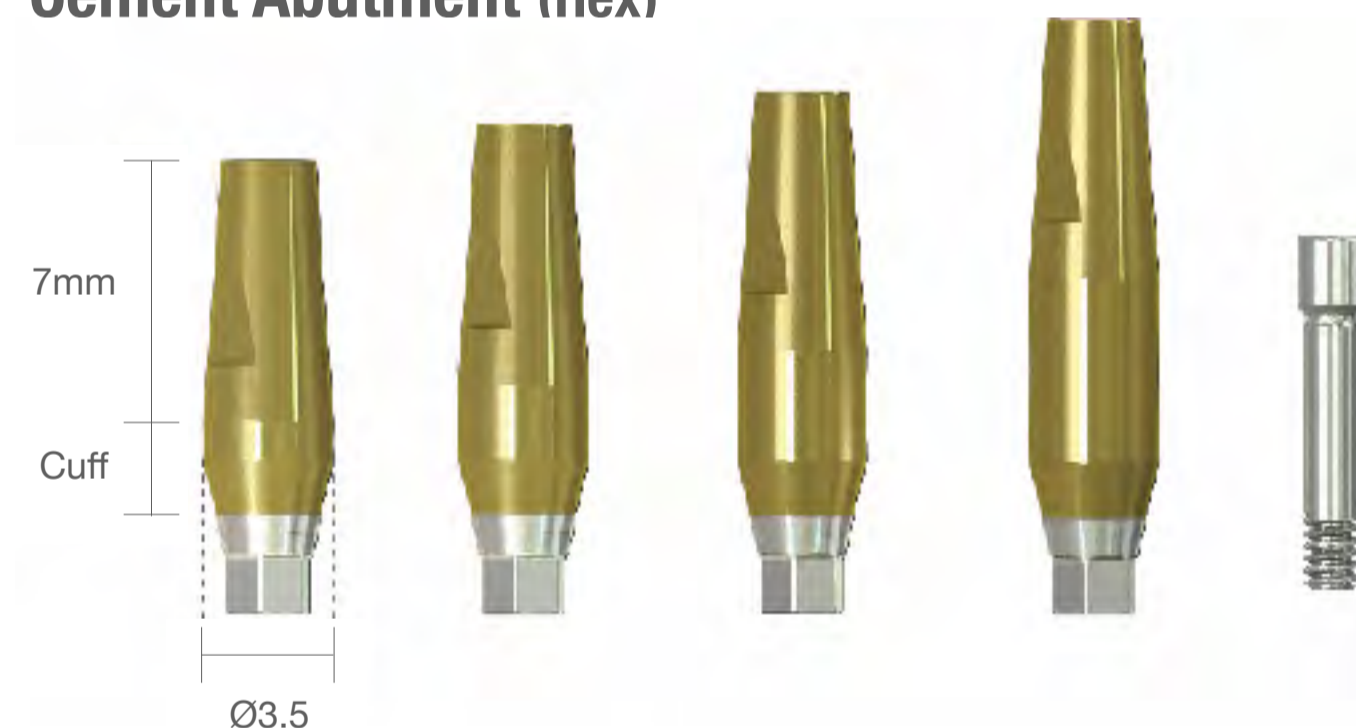
Diameter	Ø3.8	Ø3.8
Cuff(mm)	3.0	5.0
Product Code	ISH3803	ISH3805

Temporary Abutment



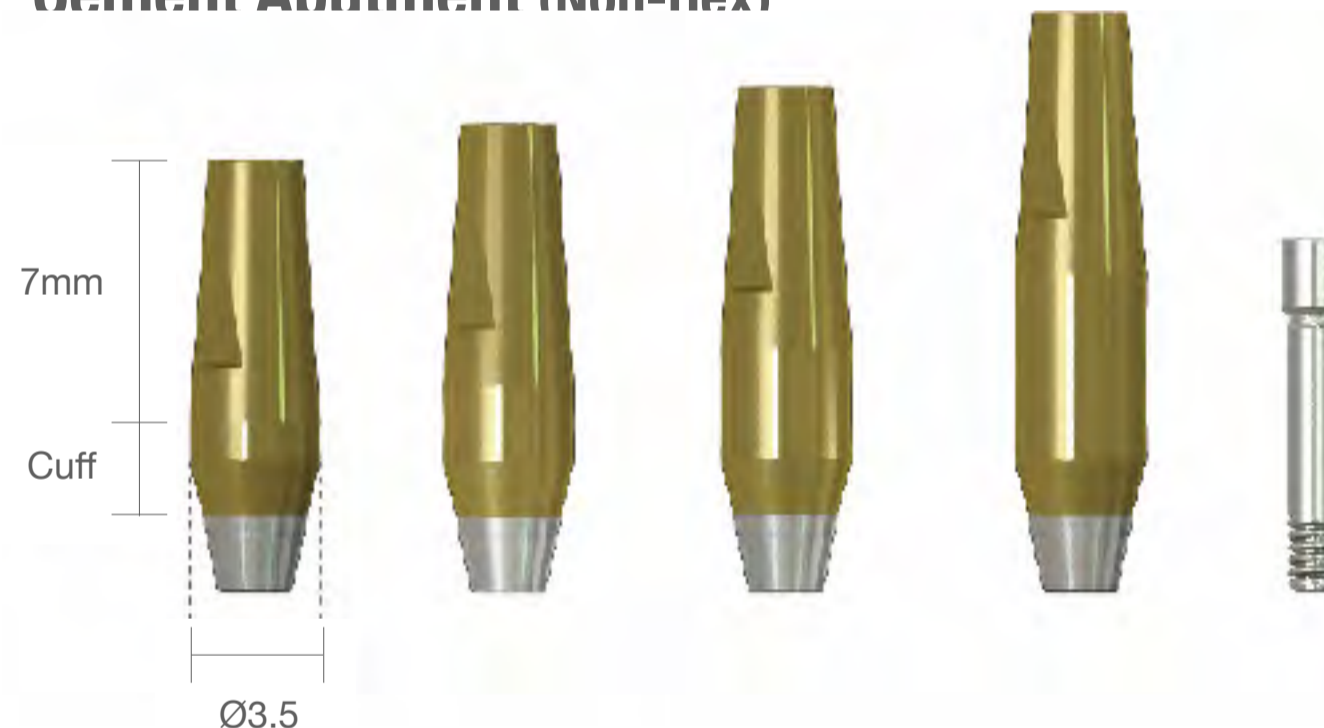
Diameter	Length(mm)	Connection	Product Code
Ø3.2	12.0	Hex	ISAHT300
		Non-Hex	ISANT300

Cement Abutment (Hex)



Diameter	Post(mm)	Cuff(mm)	Product Code
Ø3.5	7.0	3.0	ISAH3537
		4.0	ISAH3547
		5.0	ISAH3557
		7.0	ISAH3577

Cement Abutment (Non-Hex)



Diameter	Post(mm)	Cuff(mm)	Product Code
Ø3.5	7.0	3.0	ISAN3537
		4.0	ISAN3547
		5.0	ISAN3557
		7.0	ISAN3577

Lab Analog



Diameter	Product Code
Ø3.2	ISLA300

PickCap Impression Coping



Diameter	Length(mm)	Product Code
Ø3.5	5.0	ISSNPCI3505C
	7.0	ISSNPCI3507C

* Screw & Cap are included

Cap Size	Product Code	Remark
Small	PCISC0110S(10ea.)	Below Ø4.5

TruScan Body

Platform Size	Length(mm)	Product Code
Mini (S-Narrow only)	One Size	OTM-SB



Tru Base

Platform Size	Length(mm)	Product Code
Mini (S-Narrow only)	3.5	OTM-B13S
	5.5	OTM-B15S

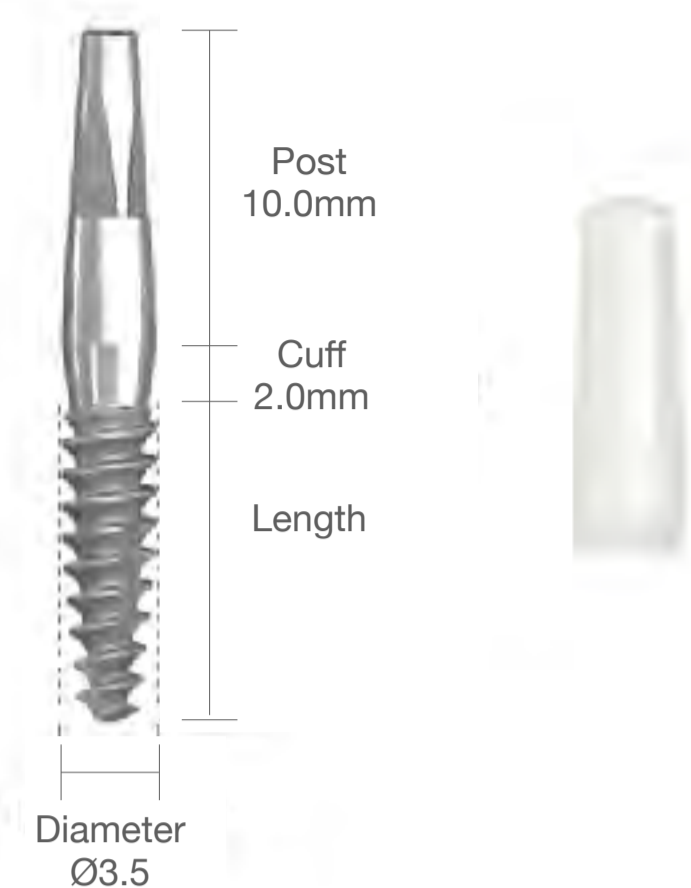


S-MINI FIXTURE

S-MINI CEMENT TYPE (RBM SURFACE)

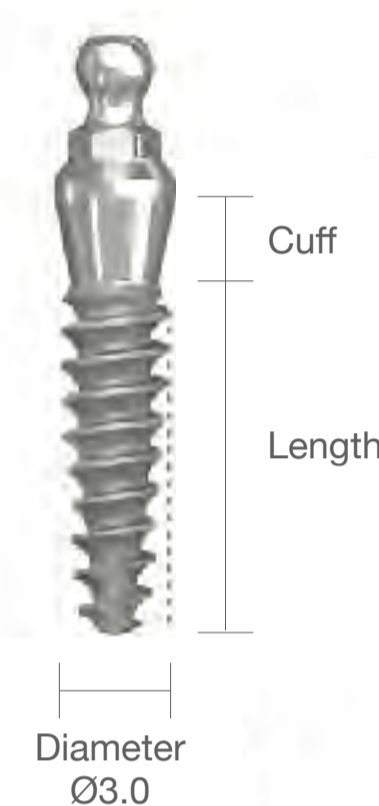
Length(mm)	8.5	10.0	11.5	13.0	15.0
Ø2.5	MI2508L	MI2510L	MI2511L	MI2513L	MI2515L
Ø3.0	MI3008L	MI3010L	MI3011L	MI3013L	MI3015L
Ø3.5	MI3508L	MI3510L	MI3511L	MI3513L	MI3515L

* Protective Cap is Included.



S-MINI BALL TYPE (RBM SURFACE)

Length(mm)	8.5	10.0	11.5	13.0	15.0
Ø3.0	MIB30083	MIB30103	MIB30113	MIB30133	MIB30153
Ø3.5	MIB35083	MIB35103	MIB35113	MIB35133	MIB35153



Impression Cap

Product Code	MICIMP
--------------	--------



Lab Analog - Cement Type

Type	Normal	Modifying
Product Code	MICLAB01	MICLAB02



Lab Analog - Ball Type

Product Code	BALA350
--------------	---------



Housing Set

Product Code	BAH40
--------------	-------

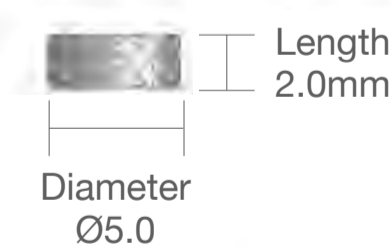
• O-ring(BAORING) 5ea. and O-ring(BAOIMP) 1ea. Included



Retainer Set

Product Code	BAR20
--------------	-------

• In case of occlusion interval is lower, use retainer instead of housing
 • O-ring(BAORING) 5ea. and O-ring(BAOIMP) 1ea. Included



O-ring (Clinical)

Product Code	BAORING
--------------	---------

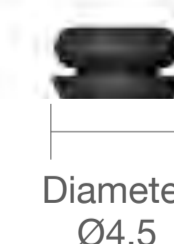
• 3ea. Included



O-ring (Lab)

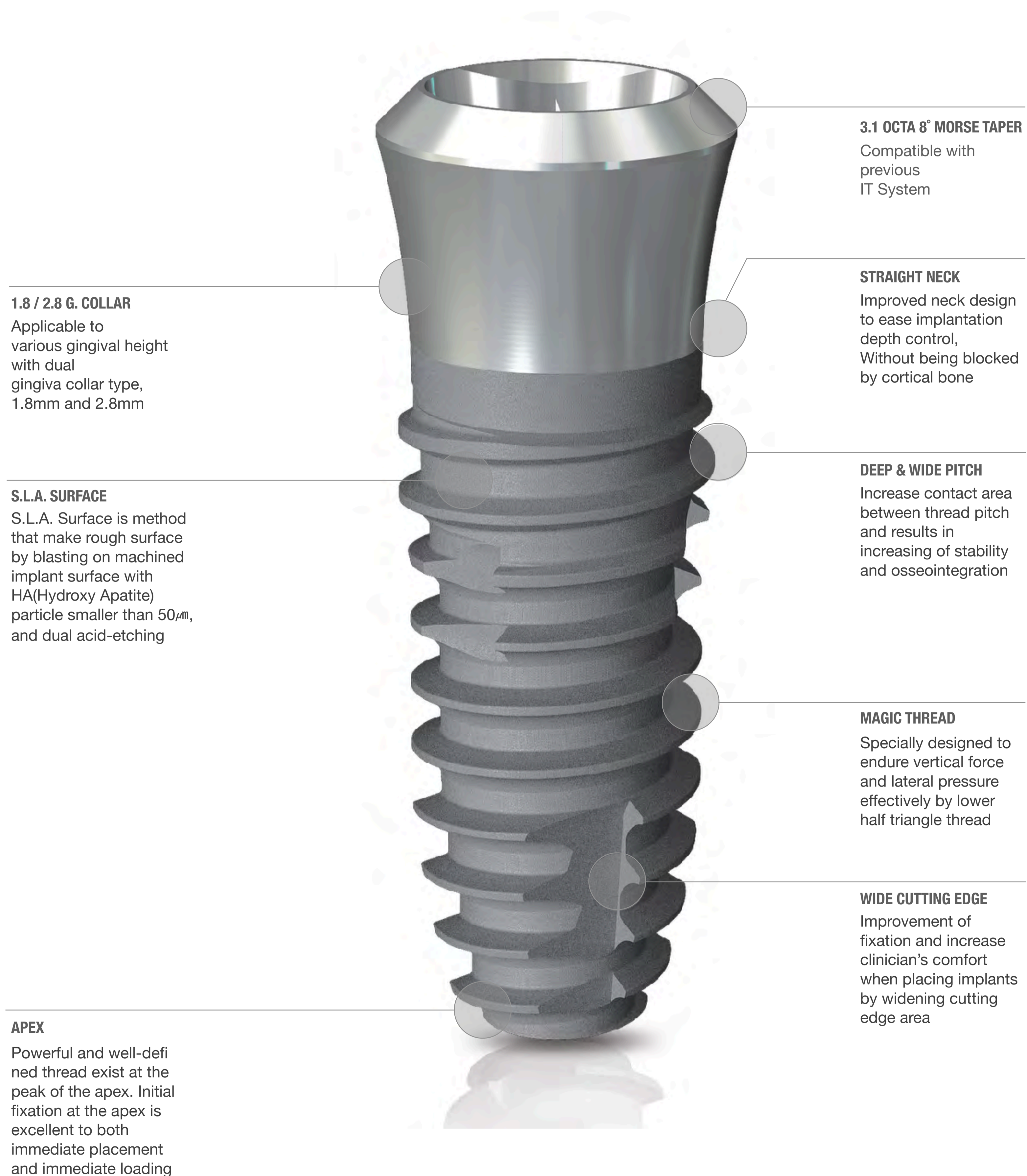
Product Code	BAOIMP
--------------	--------

• 3ea. Included
 • Prevents the resin flowing into the under of Housing or Retainer
 1. while making a final resin denture at laboratory.
 2. while inserting Housing or Retainer within denture directly at the office.



FEATURES

IT-III Active Implant



1.8 / 2.8 G. COLLAR
Applicable to various gingival height with dual gingiva collar type, 1.8mm and 2.8mm

S.L.A. SURFACE
S.L.A. Surface is method that make rough surface by blasting on machined implant surface with HA(Hydroxy Apatite) particle smaller than 50 μ m, and dual acid-etching

APEX
Powerful and well-defined thread exist at the peak of the apex. Initial fixation at the apex is excellent to both immediate placement and immediate loading

3.1 OCTA 8° MORSE TAPER
Compatible with previous IT System

STRAIGHT NECK
Improved neck design to ease implantation depth control, Without being blocked by cortical bone

DEEP & WIDE PITCH
Increase contact area between thread pitch and results in increasing of stability and osseointegration

MAGIC THREAD
Specially designed to endure vertical force and lateral pressure effectively by lower half triangle thread

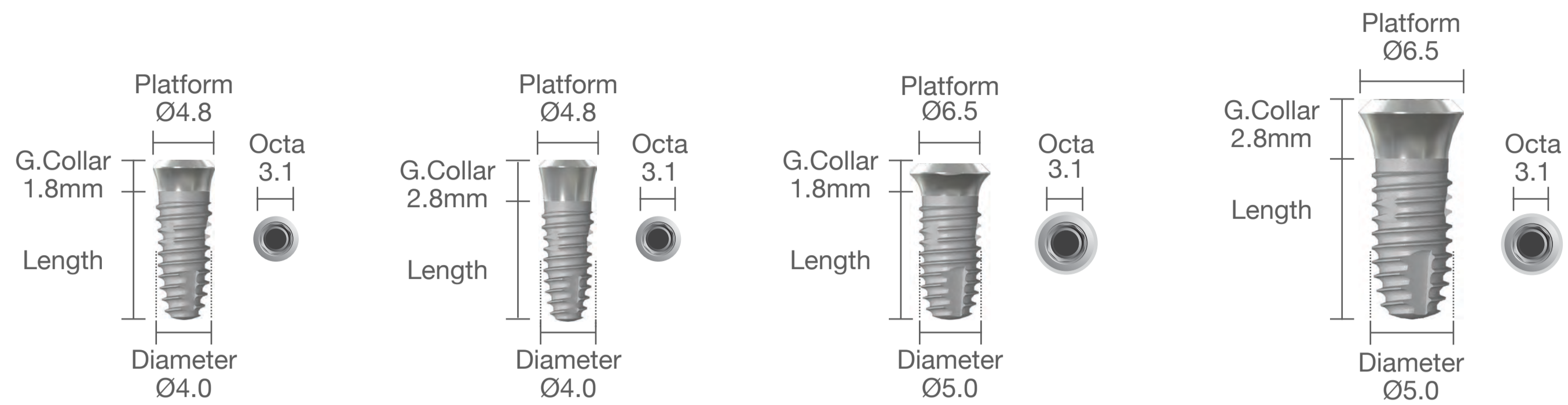
WIDE CUTTING EDGE
Improvement of fixation and increase clinician's comfort when placing implants by widening cutting edge area

FIXTURE

IT-III Active Fixture (S.L.A Surface)

The fixture bigger than Ø4.5 diameter is recommended to be placed in posterior area.

* Cover screw included separately at no cost.



Type	Regular				Wide			
Diameter(Ø)	Ø 3.5	Ø 4.0	Ø 4.5	Ø 5.0	Ø 5.0	Ø 5.5	Ø 6.0	
Collar(mm)	1.8				1.8			
Length (mm)	7.0		IT314007AP	IT314507AP	IT315007AP	ITW315007AP	ITW315507AP	ITW316007AP
	8.5	IT313508AP	IT314008AP	IT314508AP	IT315008AP	ITW315008AP	ITW315508AP	ITW316008AP
	10.0	IT313510AP	IT314010AP	IT314510AP	IT315010AP	ITW315010AP	ITW315510AP	ITW316010AP
	11.5	IT313511AP	IT314011AP	IT314511AP	IT315011AP	ITW315011AP	ITW315511AP	ITW316011AP
	13.0	IT313513AP	IT314013AP	IT314513AP	IT315013AP	ITW315013AP	ITW315513AP	ITW316013AP
Collar(mm)	2.8				2.8			
Length (mm)	7.0		IT324007AP	IT324507AP	IT325007AP	ITW325007AP	ITW325507AP	ITW326007AP
	8.5	IT323508AP	IT324008AP	IT324508AP	IT325008AP	ITW325008AP	ITW325508AP	ITW326008AP
	10.0	IT323510AP	IT324010AP	IT324510AP	IT325010AP	ITW325010AP	ITW325510AP	ITW326010AP
	11.5	IT323511AP	IT324011AP	IT324511AP	IT325011AP	ITW325011AP	ITW325511AP	ITW326011AP
	13.0	IT323513AP	IT324013AP	IT324513AP	IT325013AP	ITW325013AP	ITW325513AP	ITW326013AP

Cover Screw



Type	Regular Neck		Wide Neck	
Size	Small	Large	Small	Large
Product Code	ITCS10	ITCS48	ITCSW10	ITCS65

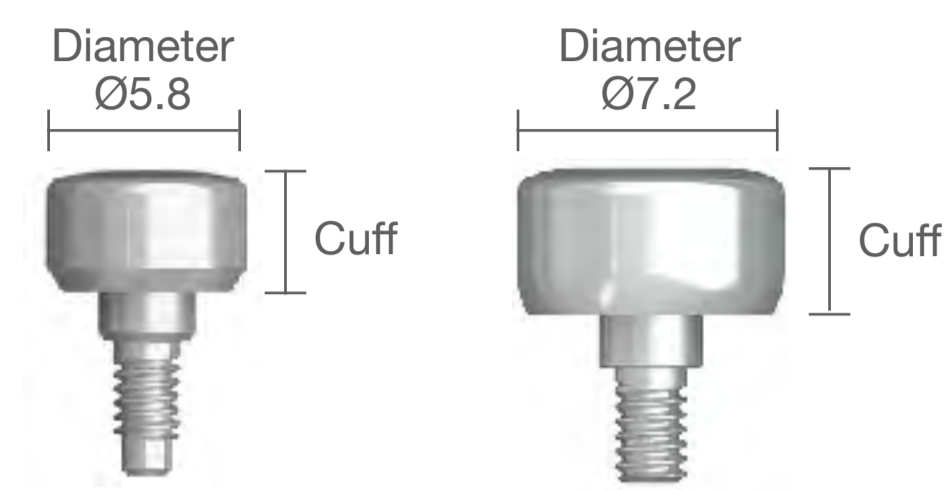
ABUTMENT

IT Healing Abutment

Temporary restorations for contouring of the soft tissue.

Tightening Torque: 8~10 Ncm.

Type	Regular Neck			Wide Neck		
Diameter(Ø)	Ø 5.8			Ø 7.2		
Cuff(mm)	2.0	3.0	4.0	2.0	3.0	4.0
Product Code	IUTH502	IUTH503	IUTH504	ITHW702	ITHW703	ITHW704



IT Solid Abutment

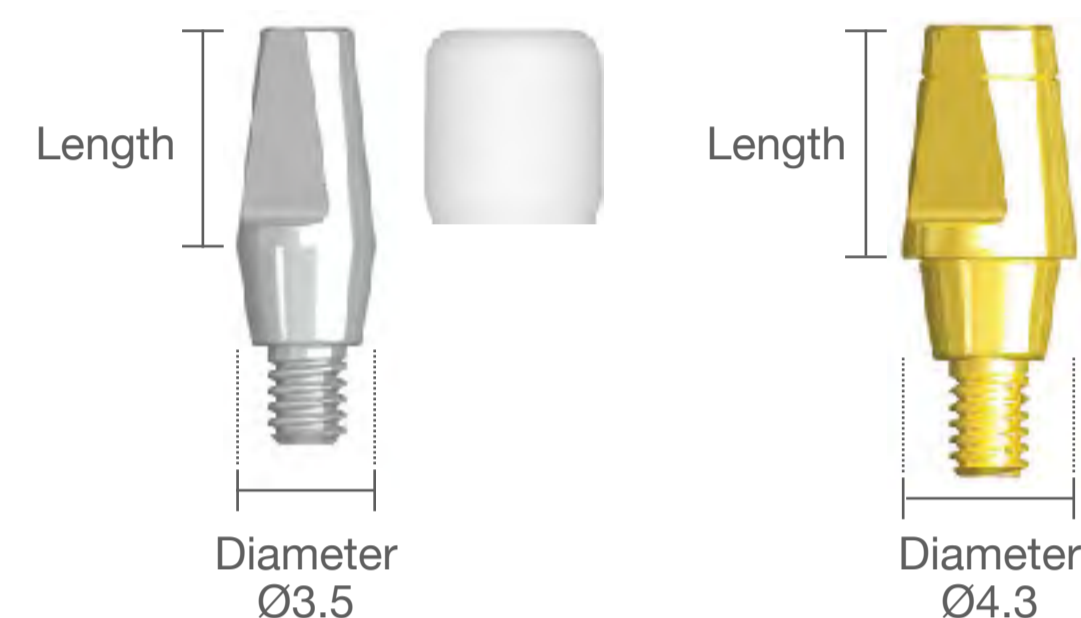
One piece abutment for cemented restorations.

Abutment Tightening Torque: 30 Ncm, Protective Cap is included.

These components are only for IT Regular Neck Fixture.

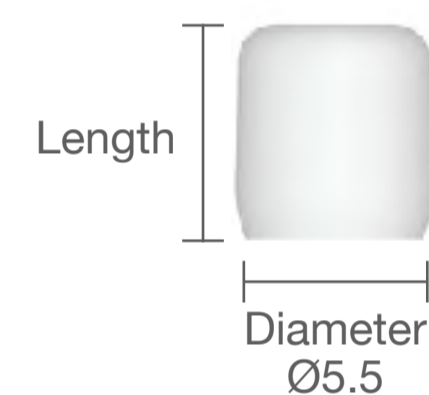
Solid Abutment

Type	Regular Neck			Wide Neck	
Length(mm)	4.0	5.5	7.0	4.0	5.5
Product Code	ITSR40	ITSR55	ITSR70	ITPW40	ITPW55



Protective Cap

Type	Regular Neck			Wide Neck	
Length(mm)	4.0	5.5	7.0	4.0	5.5
Product Code	ITPR40	ITPR55	ITPR70	ITPW40	ITPW55



Positioning Cylinder

Type	Regular Neck			Wide Neck	
Length(mm)	4.0	5.5	7.0	4.0	5.5
Color	Yellow	Gray	Blue	Yellow	Gray
Product Code	ITYR40	ITYR55	ITYR70	ITYW40	ITYW55



Impression Cap

Type	Regular Neck	Wide Neck
Product Code	ITIR00	ITIW00



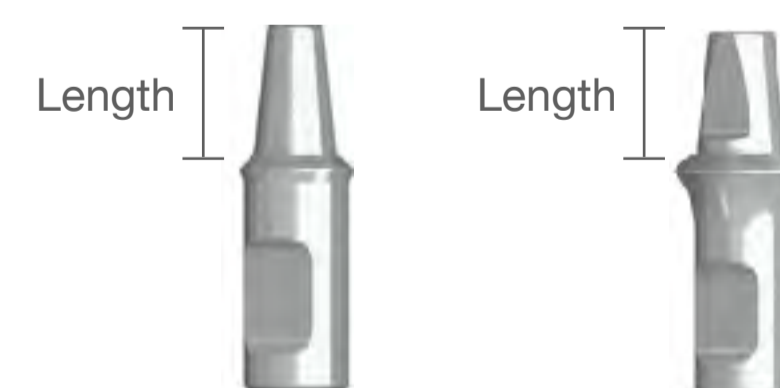
Shoulder Analog

Type	Regular Neck
Product Code	ITAS00



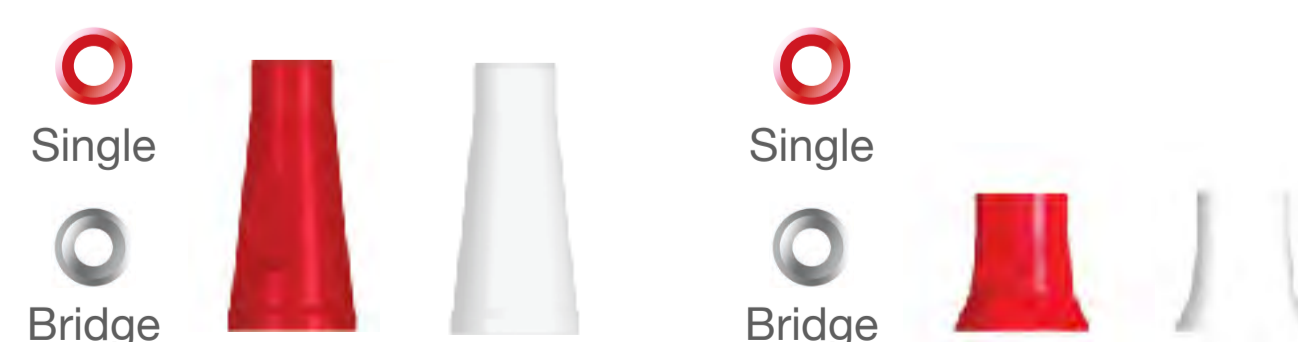
Lab Analog

Type	Regular Neck			Wide Neck	
Length(mm)	4.0	5.5	7.0	4.0	5.5
Color	Yellow	Gray	Blue	Yellow	Gray
Product Code	ITYR40	ITYR55	ITYR70	ITYW40	ITYW55



Plastic Coping

Type	Regular Neck		Wide Neck	
Type	Single	Bridge	Single	Bridge
Product Code	ITPRCR	ITPRBR	ITPWCR	ITPWBR



ABUTMENT

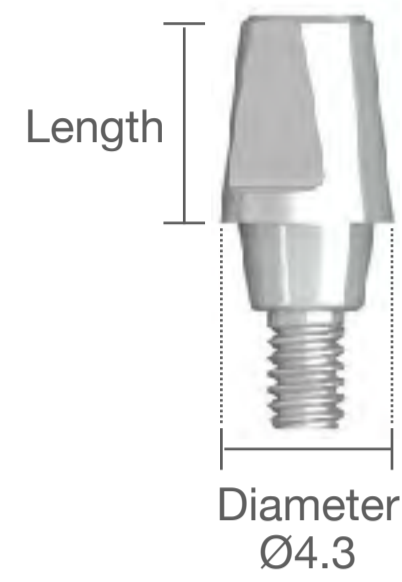
IT Excellent Solid Abutment

One piece abutment for cemented restorations.

Abutment Tightening Torque: 30 Ncm, Protective Cap is included.
These components are only for IT Regular Neck Fixture.

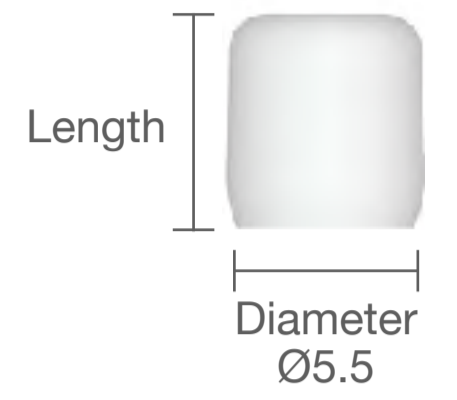
Excellent Solid Abutment

Type	Regular Neck		
Length(mm)	4.0	5.5	7.0
Product Code	ITSE404	ITSE405	ITSE407



Protective Cap

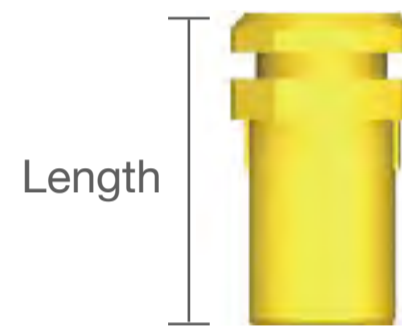
Type	Regular Neck		
Compatible Solid Abutment Length(mm)	4.0	5.5	7.0
Product Code	ITPTC40	ITPTC55	ITPTC70



Positioning Cylinder



Type	Regular Neck		
Length(mm)	4.0	5.5	7.0
Color	Yellow	Gray	Blue
Product Code	ITEPC40	ITEPC55	ITEPC70



Lab Analog



Type	Regular Neck		
Length(mm)	4.0	5.5	7.0
Color	Yellow	Gray	Blue
Product Code	ITELA440	ITELA455	ITELA470



Impression Cap

Type	Regular Neck
Product Code	ITEIC00



Plastic Coping

Type	Regular Neck	
Product Code	Single	ITHPC
	Bridge	ITNPC



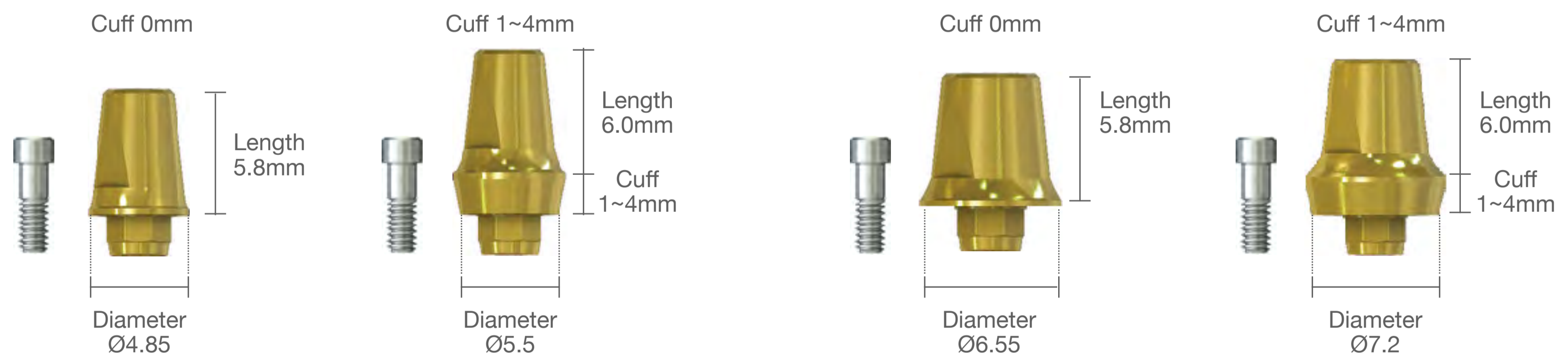
IT Cemented Abutment

Cementable or Screw-retained abutment for single tooth and bridges

Semi-octa structure of SCRP Abutment simplifies both installation and removal of prosthetic within 16 degrees in multiple cases.

Customizable by grinding (need to remain at least 3mm of abutment length above fixture platform).

Abutment Screw (ITCS20S) is included, Tightening Torque : 30Ncm

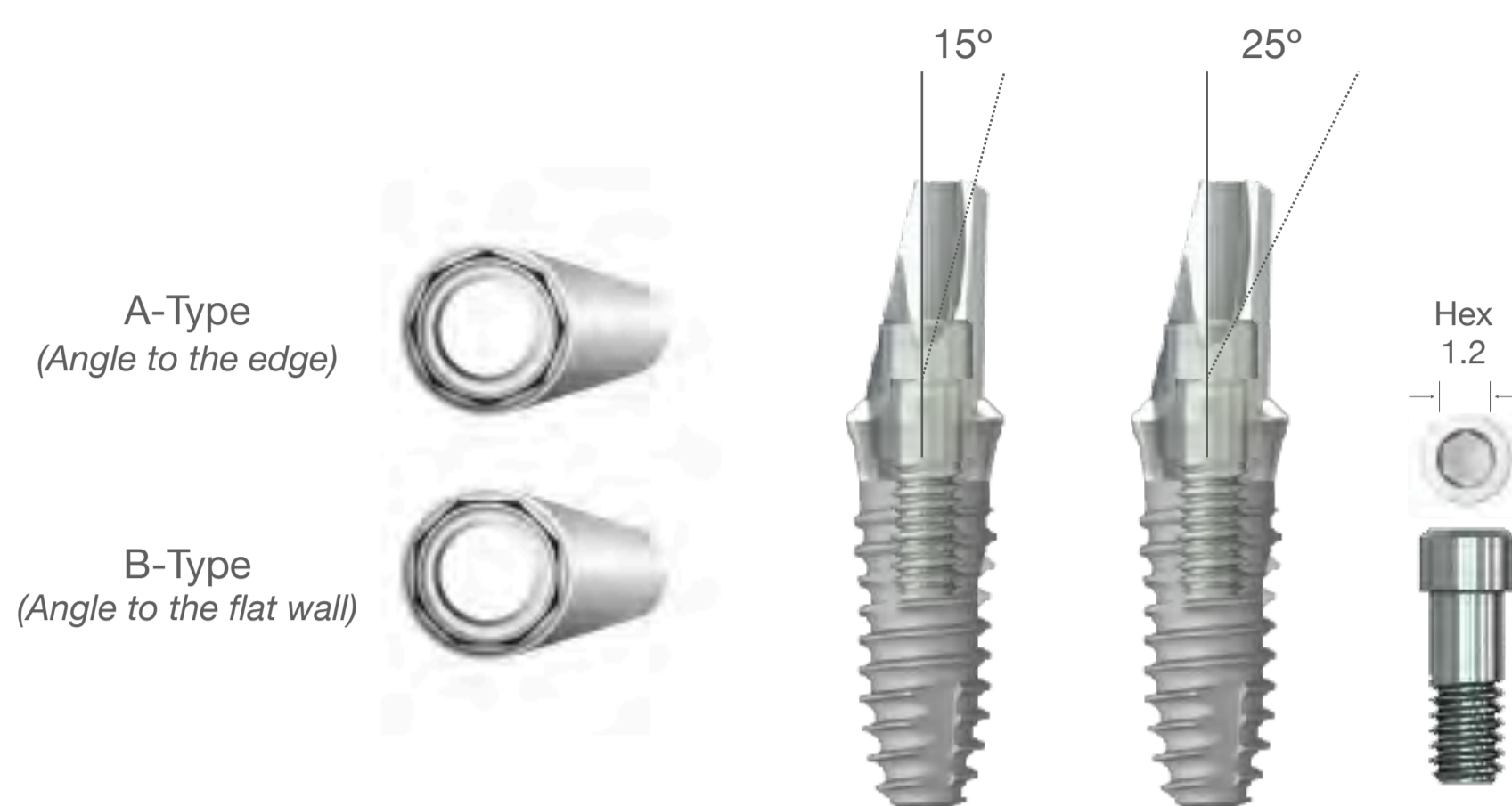


Type	Regular Neck						Wide Neck
Diameter(Ø)	Ø 5.5						Ø 7.2
Cuff(mm)	0	1.0	2.0	3.0	4.0	0	
Product Code	Octa	ICO500	ICO510	ICO520	ICO530	ICO540	ICOW700
	Non-Octa	ICN500	ICN510	ICN520	ICN530	ICN540	ICNW700
	SCRIP	ICS500	ICS510	ICS520	ICS530	ICS540	ICSW700

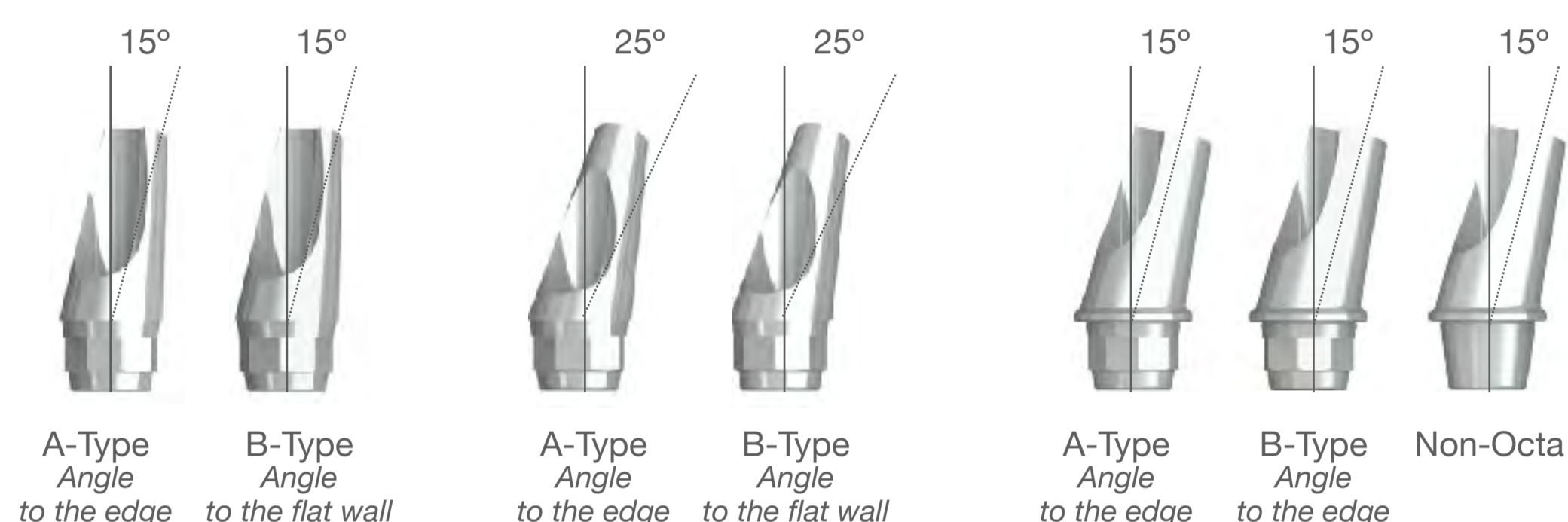
ABUTMENT

IT Pre Angled Abutment

Abutment Screw (ITCS20S) is included, Tightening Torque : 30Ncm

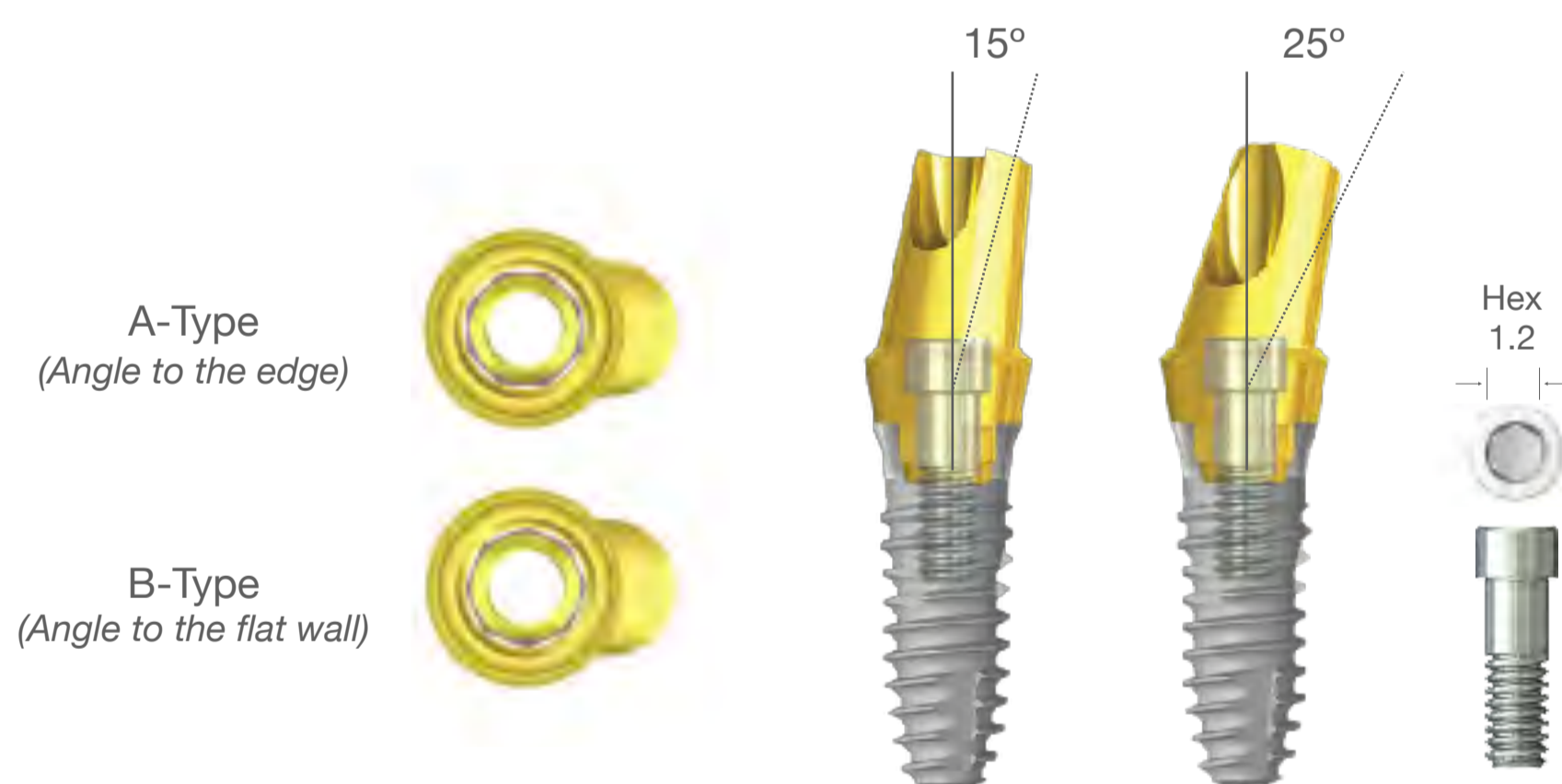


Type		Regular Neck		Wide Neck
Angle(°)		15°	25°	15°
Product Code	A Type	IAO310A	IAO320A	IAOW500A
	B Type	IAO310B	IAO320B	IAOW500B
	Non-Octa	-	-	IANW500

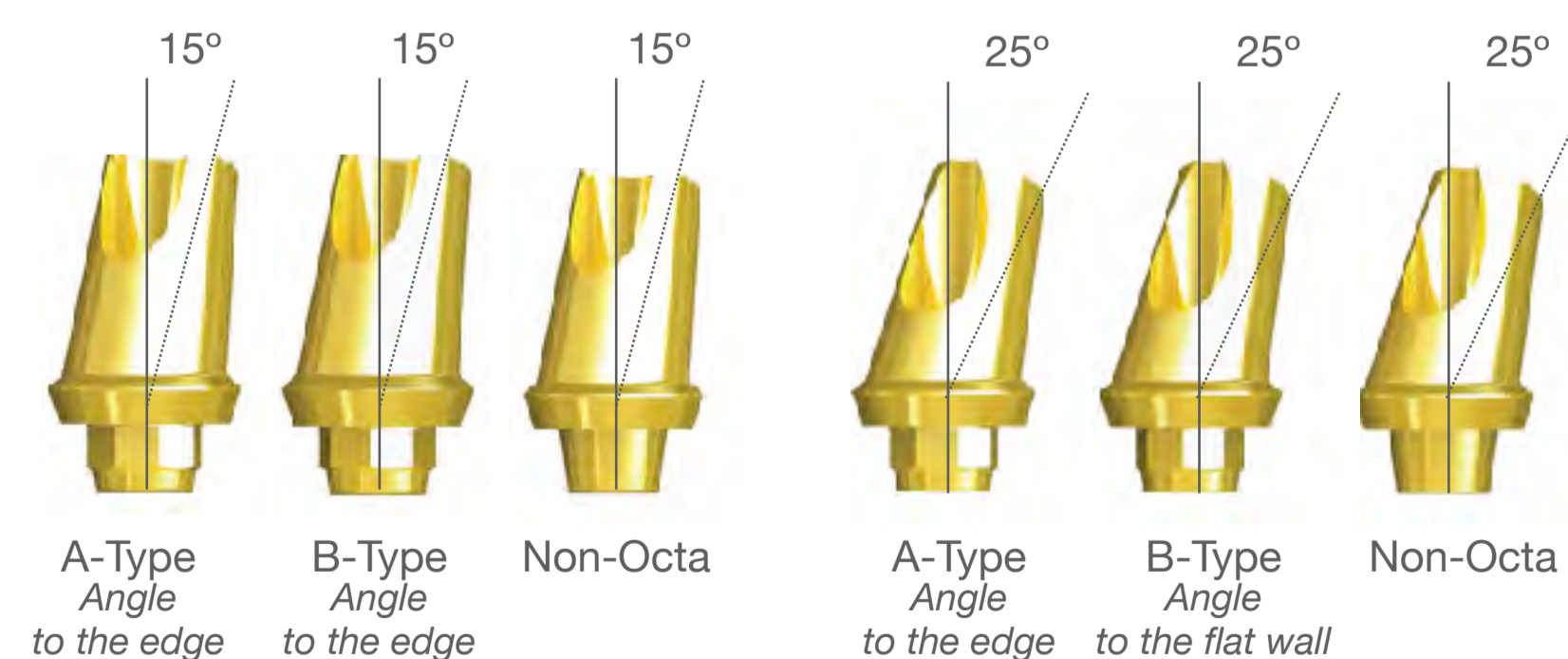


IT Collared Angled Abutment

Abutment Screw (ITCS20S) is included, Tightening Torque : 30Ncm



Type		Regular Neck			
Angle(°)		15°		25°	
Cuff(mm)		1.0	2.0	1.0	2.0
Product Code	A Type	IAO511A	IAO512A	IAO521A	IAO522A
	B Type	IAO511B	IAO512B	IAO521B	IAO522B
	Non-Octa	IAN511	IAN512	IAN521	IAN522



IMPRESSION COPING

IT PickCap Impression Coping

IT PickCap Impression Coping

Diameter(Ø)	Ø 5.6	Ø 7.3
Product Code	ITPCIB503C	ITPCIB703C

- ISPCIS20, PCILC01 are included.



PickCap Impression Cap (Large)

Product Code	PCILC01
--------------	---------



PickCap Impression Coping Screw

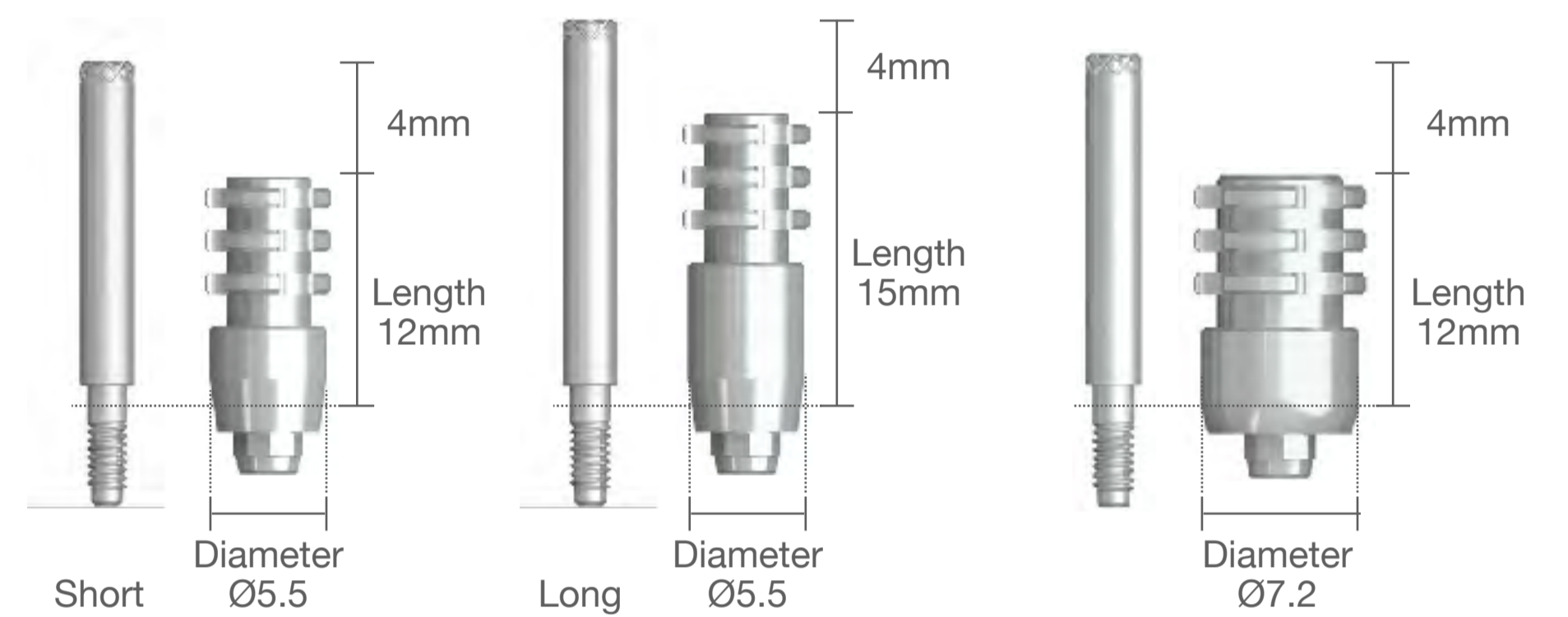
Product Code	ISPCIS20
--------------	----------



IT Pick-up Impression Coping

Type	Regular Neck		Wide Neck
Type	Octa		Octa
Length	Short	Long	-
Product Code	ITIPO511	ITIPOL511	ITIPO711

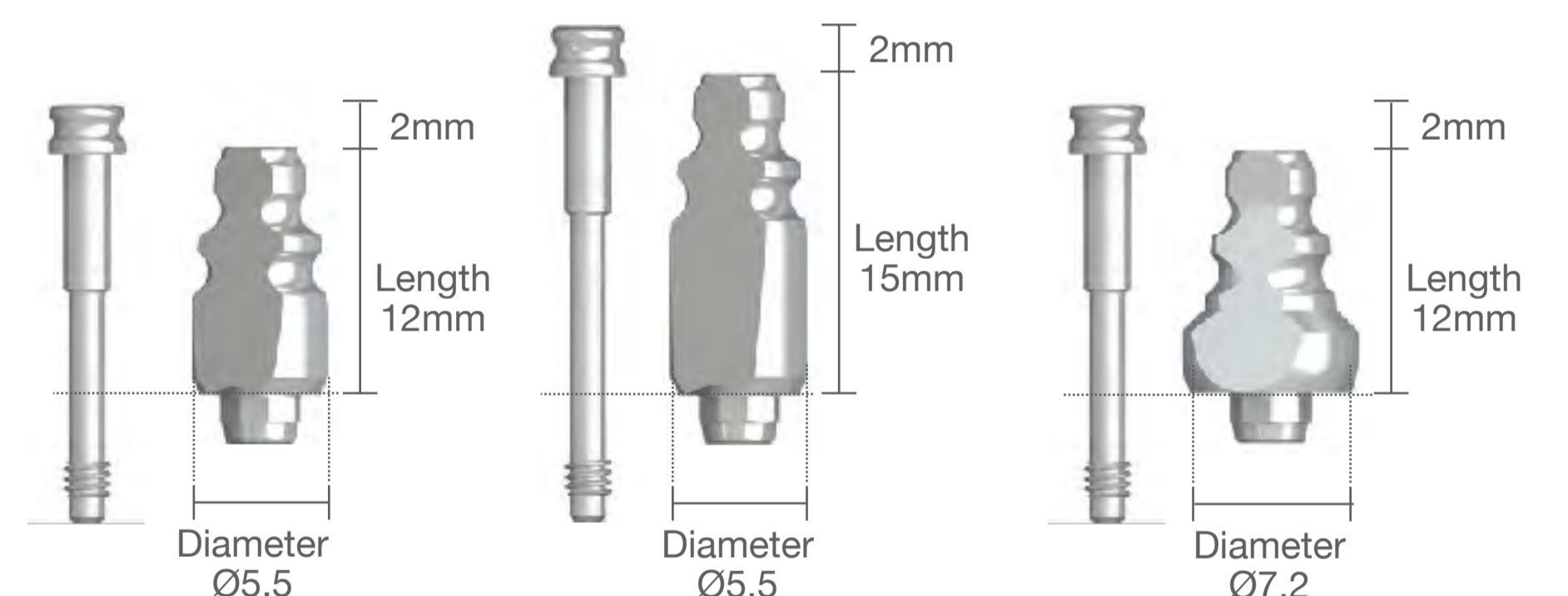
- Regular Neck: Impression Coping Screw is included. (Short: ITPIS20 / Long: ITPIS20L)
- Wide Neck: Impression Coping Screw is included. (ITPIS20)



IT Transfer Impression Coping

Type	Regular Neck		Wide Neck
Length	Short	Long	-
Product Code	Octa	ITITO511	ITITOL511
	Non-Octa	ITITN511	ITITNL511
			ITITO711
			ITITN711

- Regular Neck: Impression Coping Screw is included. (ITTIS20H)
- Wide Neck: Impression Coping Screw is included. (Short: ITPIS20 / Long: ITPIS20L)



Impression Coping Hex Screw

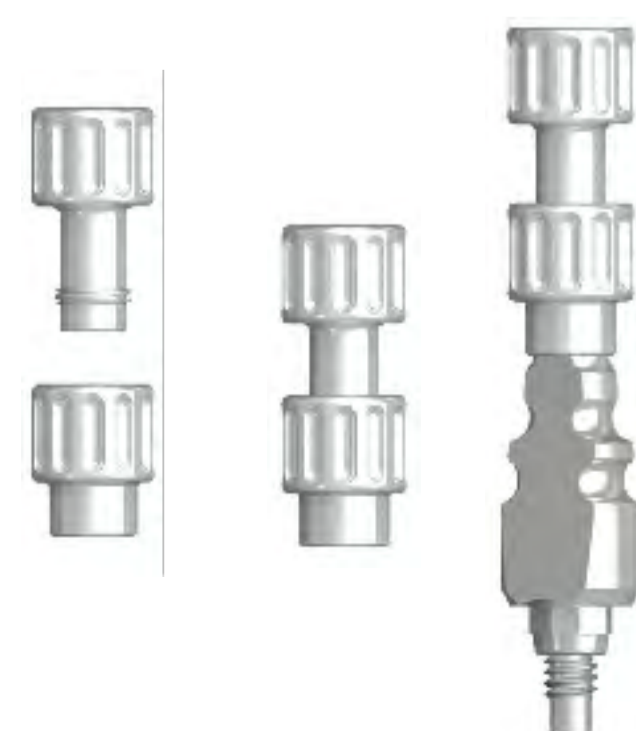
Product Code	ITTIS20H
--------------	----------



IT Transfer Impression Coping Positioner

Product Code	FDHSET01
--------------	----------

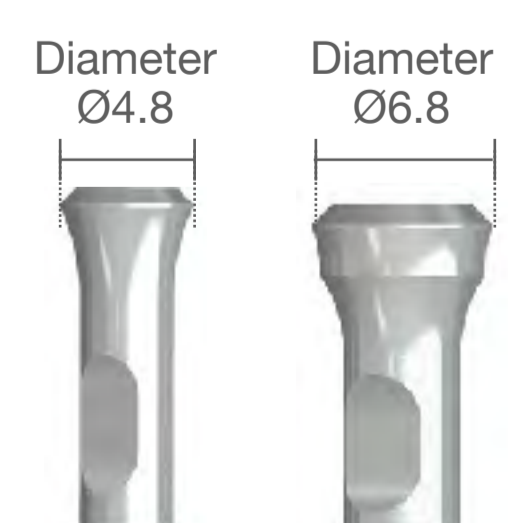
- Connected to transfer Impression Coping



Lab Analog

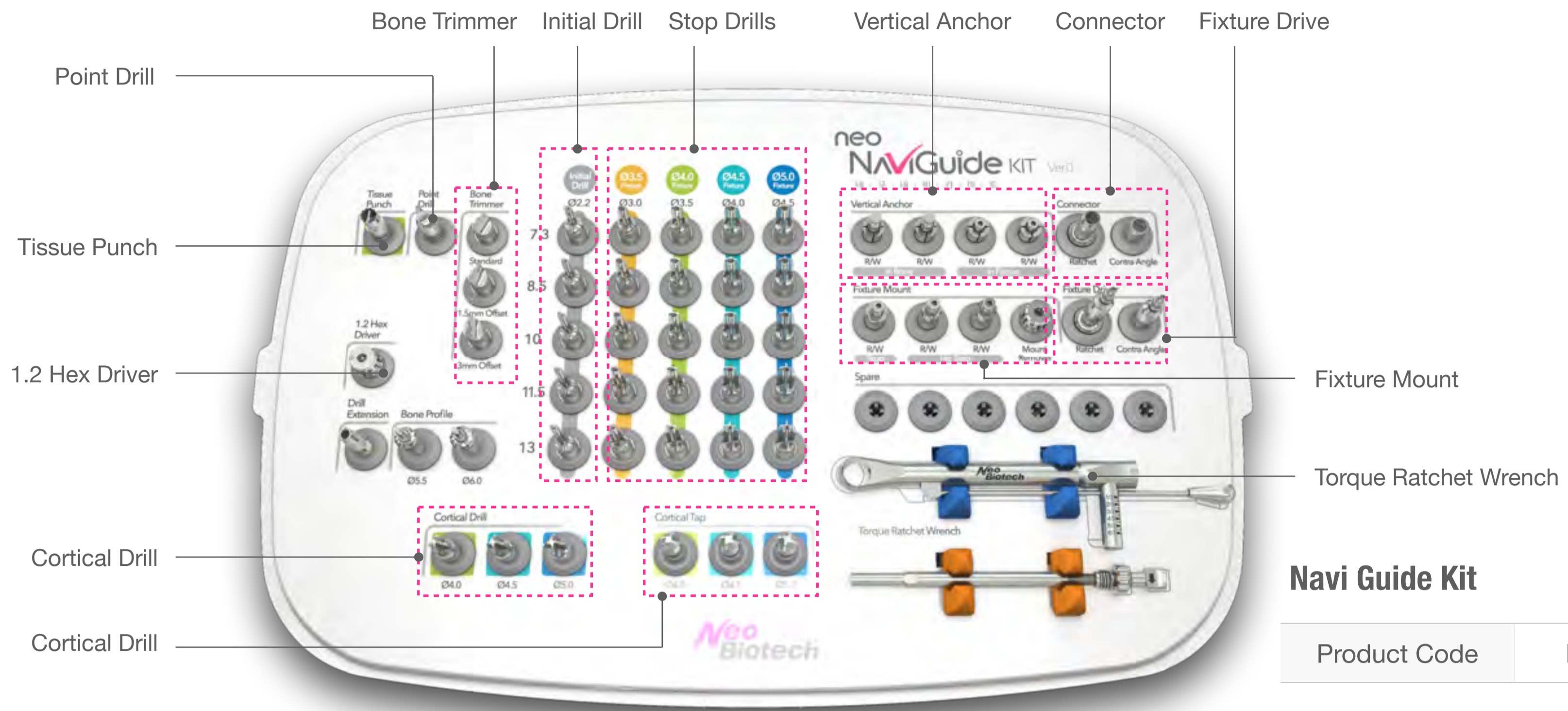
Type	Regular Neck	Wide Neck
Diameter(Ø)	Ø 4.8	Ø 6.8
Product Code	ITLA50	ITLA70

- Connected to transfer impression coping



NEO NAVIGUIDE KIT

This kit can be used to perform surgical guide implant surgery for IS-II Active, IS-III Active.



Navi Guide Kit

Product Code	NEONGKIT
--------------	----------

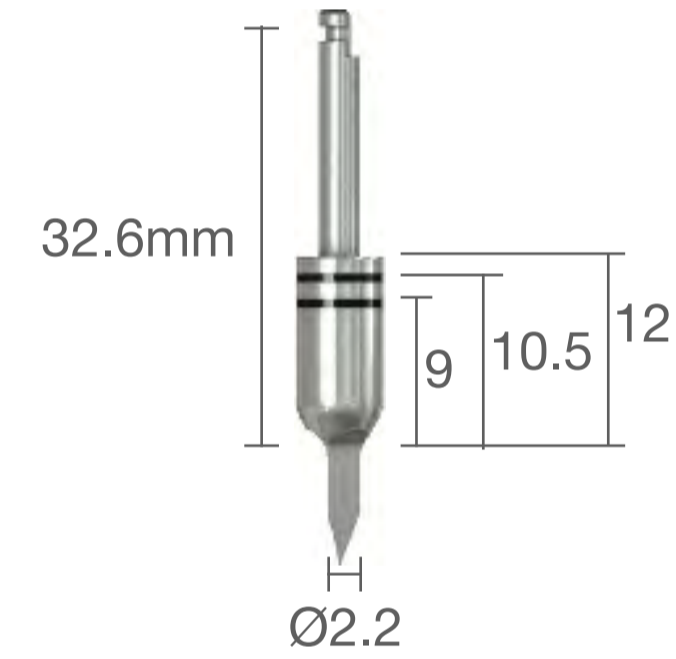
Tissue Punch

Diameter(Ø)	Product Code
Ø4.3	NGTP43R



Point Drill

Diameter(Ø)	Product Code
Ø2.2	NGPD22



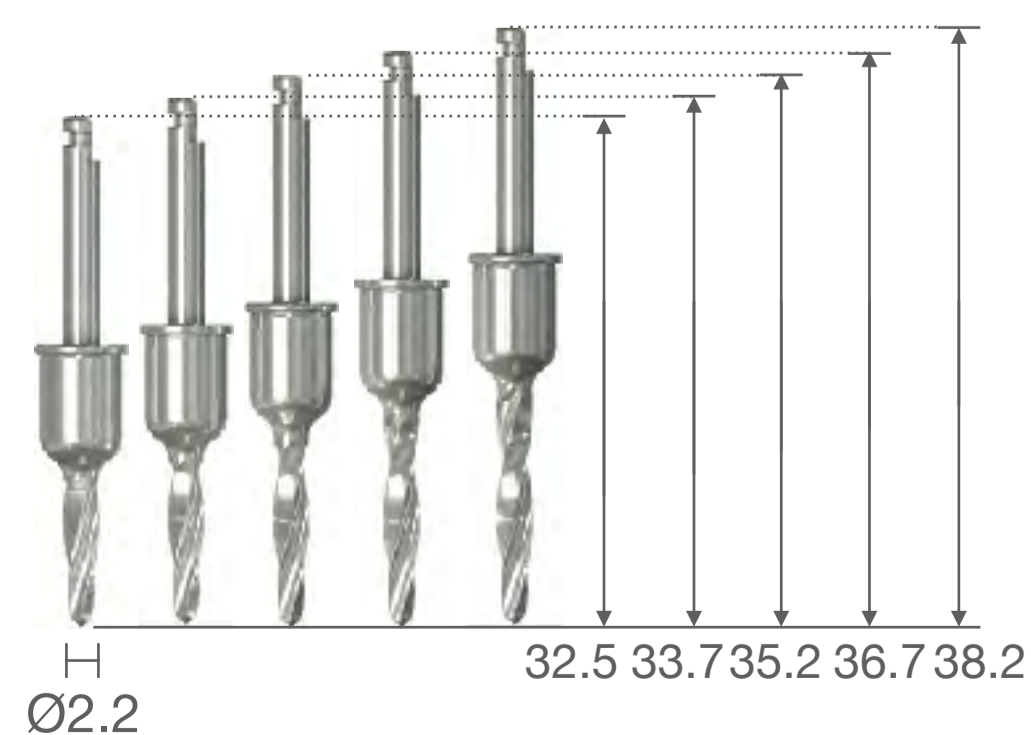
Bone Trimmer

Diameter(Ø)	Type	Product Code
Ø2.2	Standard	NGBT00
	1.5mm Offset	NGBT15
	3.0mm Offset	NGBT30



Ø2.2 Initial Taper Drill

Diameter(Ø)	Type	Product Code
Ø2.2	7.3	NGTWD2207
	8.5	NGTWD2208
	10.0	NGTWD2210
	11.5	NGTWD2211
	13.0	NGTWD2213

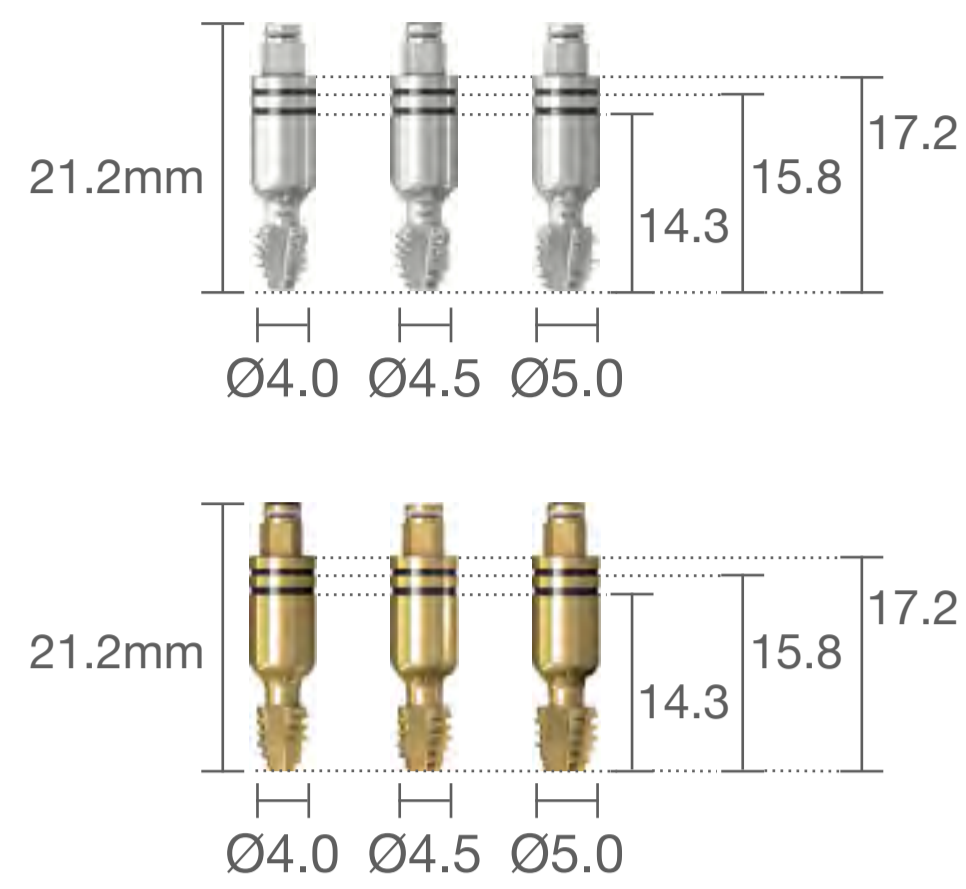


NEO NAVIGUIDE KIT

Cortical Tap

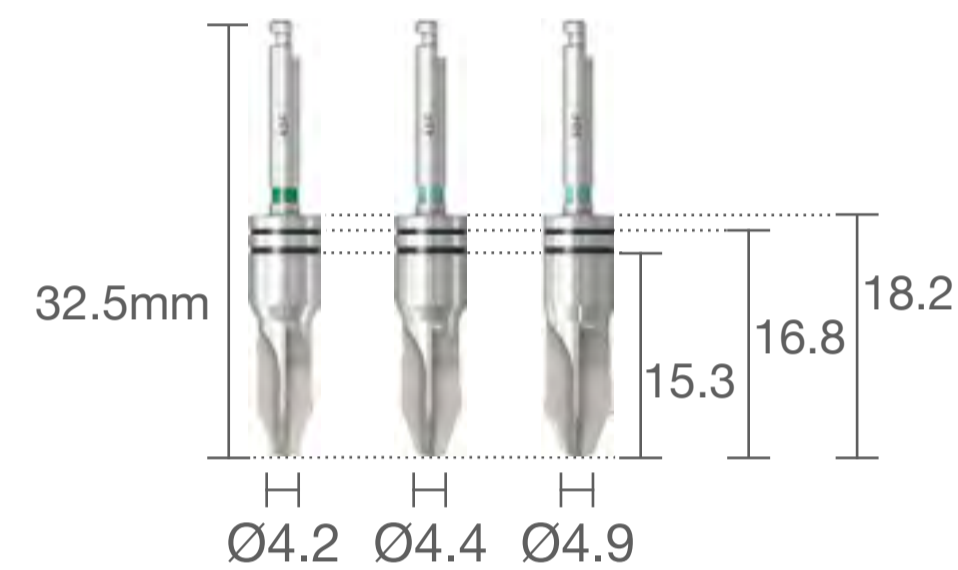
Type	Diameter(Ø)	Product Code
IS-II	Ø4.0	NGISCT40R
	Ø4.5	NGISCT45R
	Ø5.0	NGISCT50W
IS-III *	Ø4.0	NGISCT40RS *
	Ø4.5	NGISCT45RS *
	Ø5.0	NGISCT50WS *

* OPTIONAL

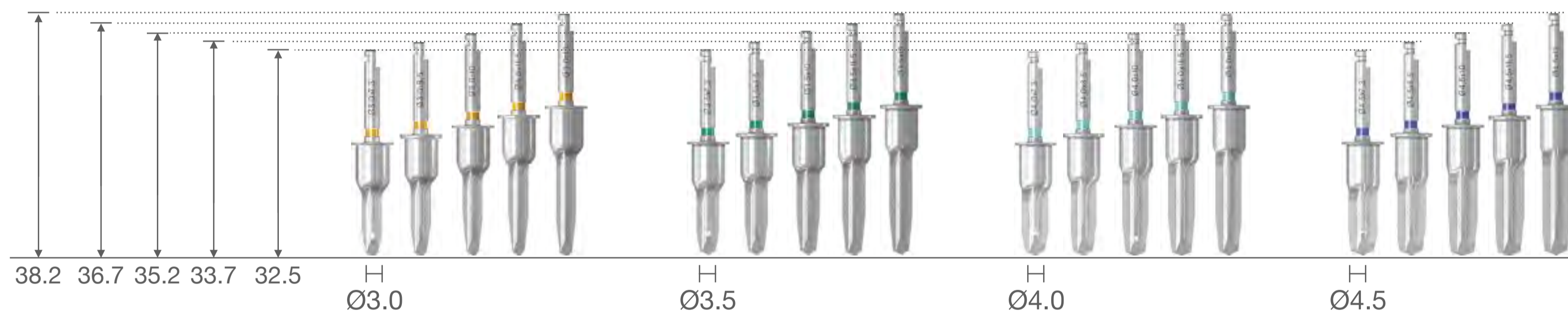


Cortical Drill

Diameter(Ø)	Ø4.2	Ø4.4	Ø4.9
Product Code	NGCD40F	NGCD45F	NGCD50F



Stop Drill



Diameter(Ø)		Ø3.0	Ø3.5	Ø4.0	Ø4.5
Length (mm)	7.3	NGTD3007	NGTD3507	NGTD4007	NGTD4507
	8.5	NGTD3008	NGTD3508	NGTD4008	NGTD4508
	10.0	NGTD3010	NGTD3510	NGTD4010	NGTD4510
	11.5	NGTD3011	NGTD3511	NGTD4011	NGTD4511
	13.0	NGTD3013	NGTD3513	NGTD4013	NGTD4513

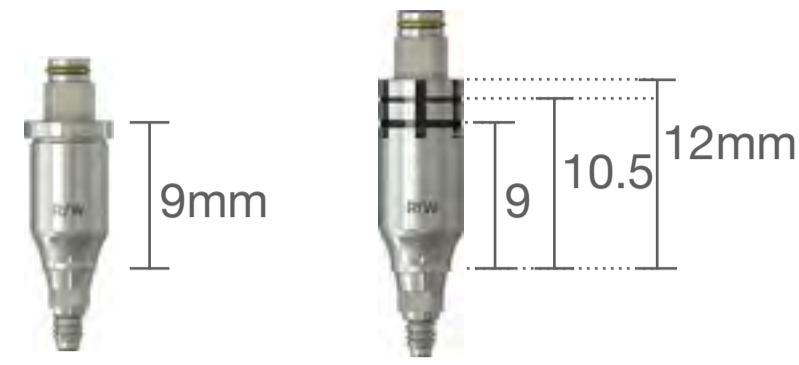
NEO NAVIGUIDE KIT

Vertical Anchor



Type	in Bone	in Fixture
Product Code	SGVABRW	SGISVAFRW

Fixture Mount



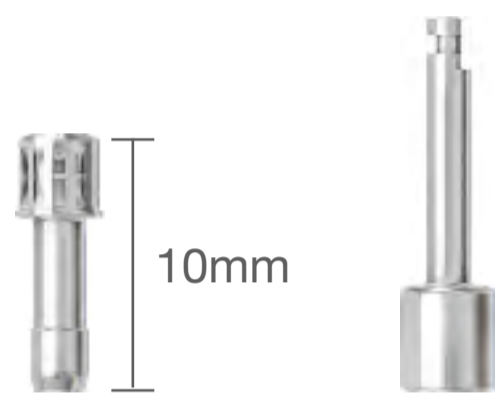
Type	Stop	No Stop
Product Code	SGISFARW	SGISFARW30

Fixture Driver



Type	Ratchet	Contra Angle
Product Code	NGISFDR	NGISFDCA

Connector



Type	Ratchet	Contra Angle
Product Code	SGRC10	SGCAC00

Mount Remover



Product Code	SGFART20
--------------	----------

1.2 Hex driver



Product Code	HD1215S
--------------	---------

Drill Extension



Product Code	DE01
--------------	------

Bone Profile



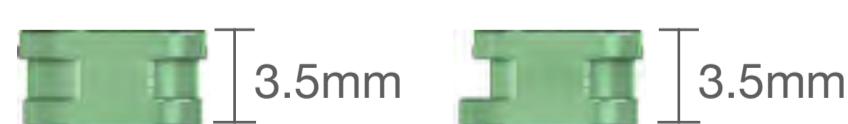
Diameter(Ø)	Ø5.5	Ø6.0
Product Code	ISBP55	ISBP60

Torque Ratchet



Product Code	TW60
--------------	------

Surgical Guide Sleeve *



Type	R/W Sleeve	R/W C-Sleeve
Product Code	SGS70RW *	CSGS70RW *

* OPTIONAL

Surgical Guide IS Lab Analog *

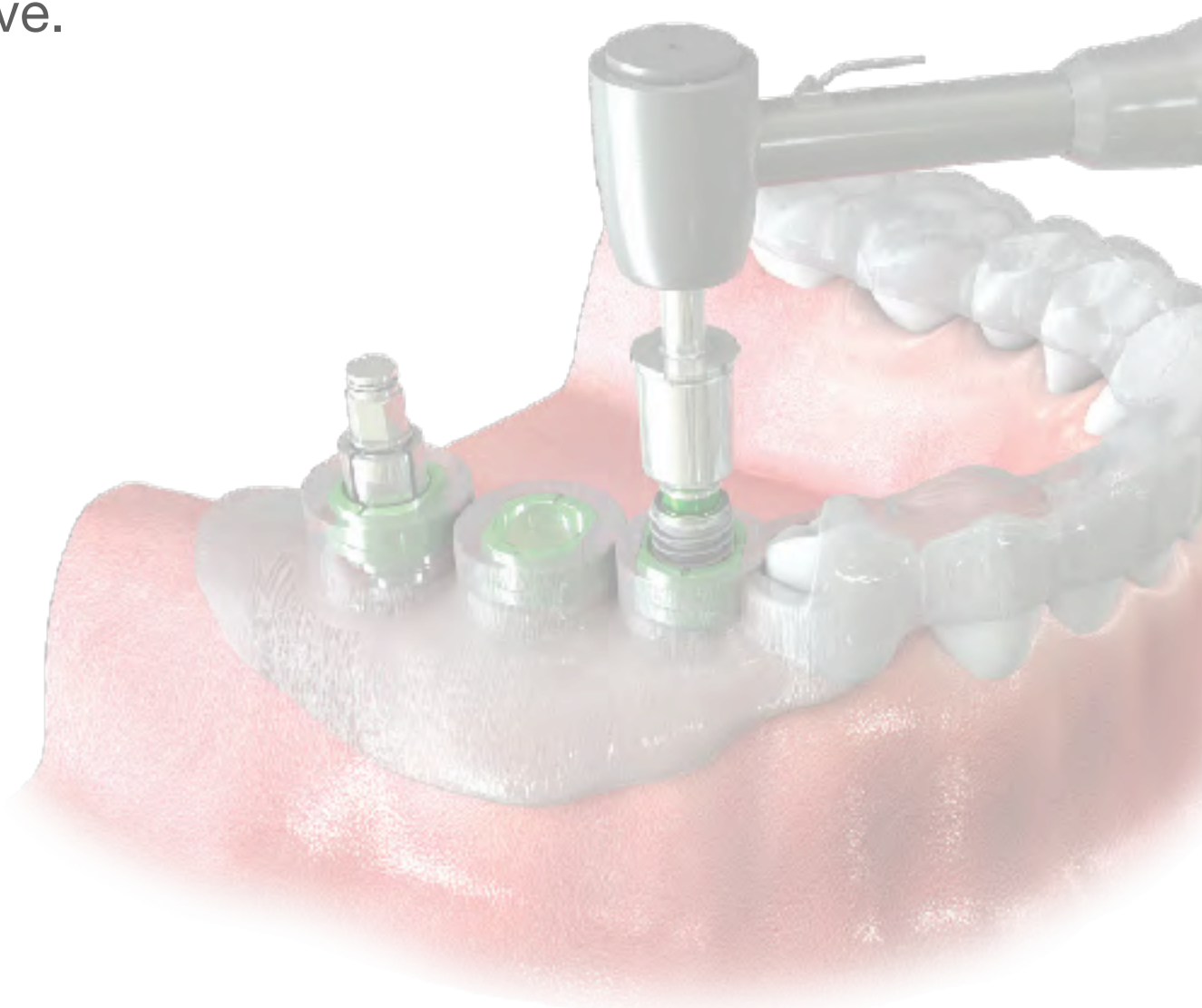
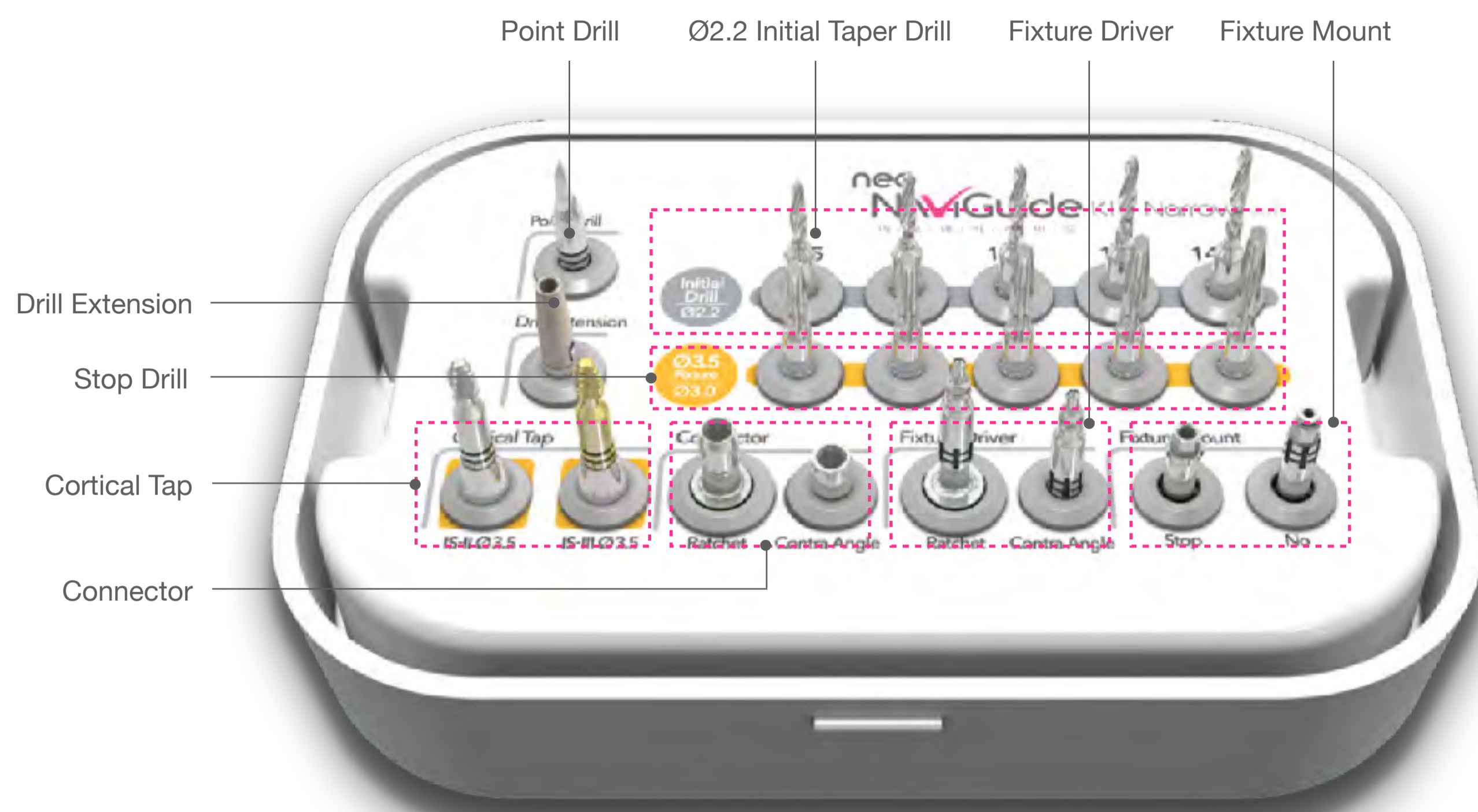


Product Code	SGISLA500 *
--------------	-------------

* OPTIONAL

NEO NAVIGUIDE NARROW KIT

This kit can be used to perform surgical guide implant surgery for IS-II Active, IS-III active(Ø3.5) For N sleeve.

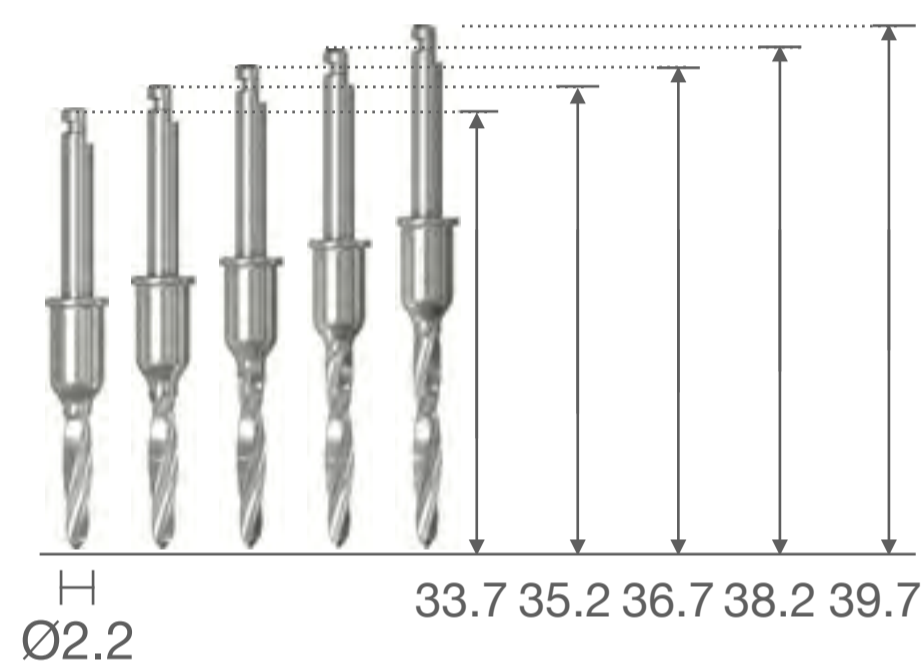


Navi Guide Narrow Kit

Product Code	NEONGNKIT
--------------	-----------

Ø2.2 Initial Taper Drill

Diameter(Ø)	Length(mm)	Product Code
Ø2.2	8.5	NGTWD2208N
	10.0	NGTWD2210N
	11.5	NGTWD2211N
	13.0	NGTWD2213N
	14.5	NGTWD2214N



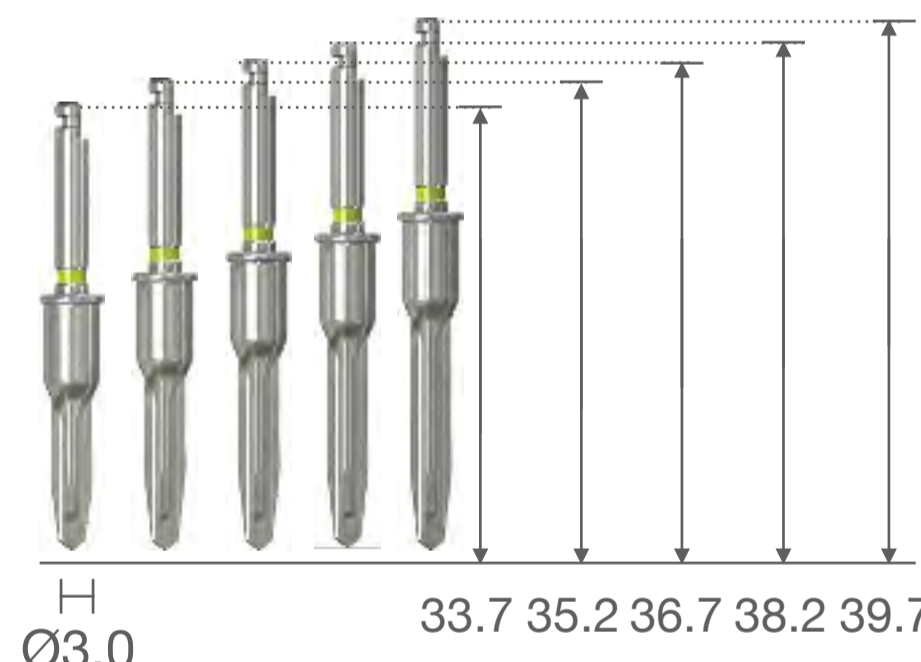
Point Drill

Diameter(Ø)	Product Code
Ø2.2	NGPD22N



Ø3.0 Stop Drill

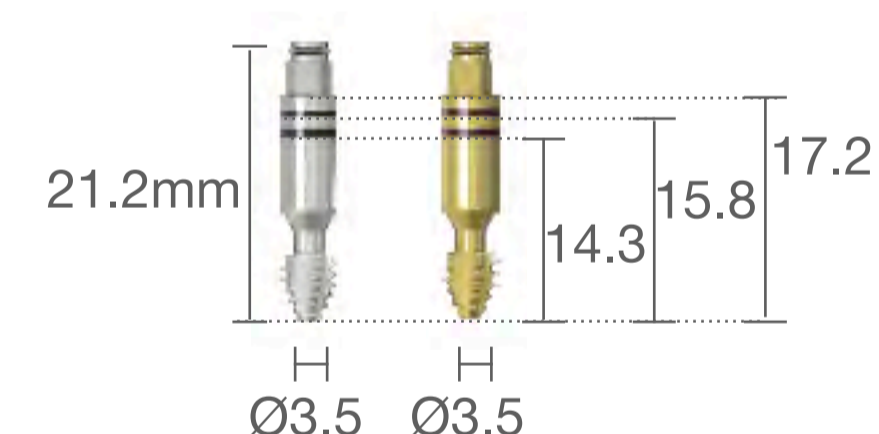
Diameter(Ø)	Length(mm)	Product Code
Ø3.0	8.5	NGTD3008N
	10.0	NGTD3010N
	11.5	NGTD3011N
	13.0	NGTD3013N
	14.5	NGTD3014N



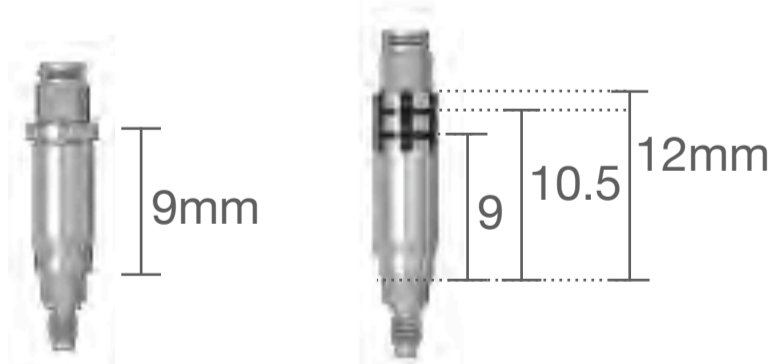
Cortical Tap

Type	Product Code
IS-II	NGISCT35N
IS-III *	NGISCT35NS *

* OPTIONAL

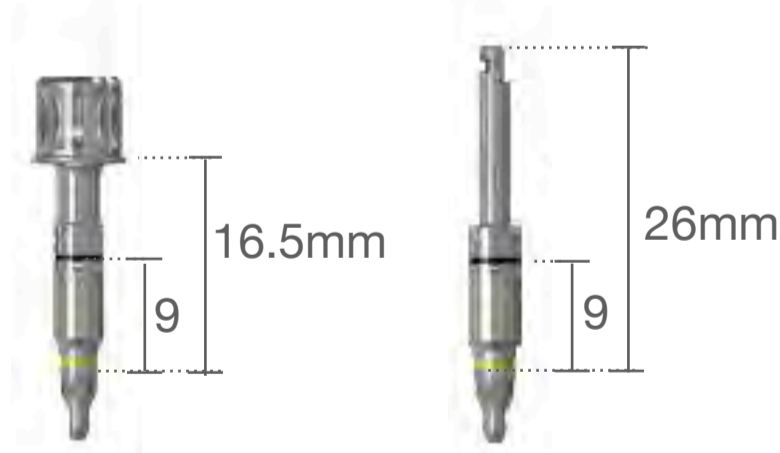


Fixture Mount



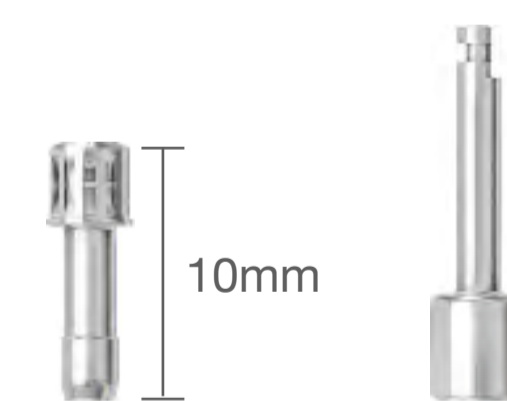
Type	Stop	No Stop
Product Code	SGISFAN	SGISFAN30

Fixture Driver



Type	Ratchet	Contra Angle
Product Code	NGISFDRN	NGISFDCAN

Connector



Type	Ratchet	Contra Angle
Product Code	SGRC10	SGCAC00

Drill Extension



Product Code	DE01
--------------	------

Surgical Guide Sleeve *



Type	N Sleeve
Product Code	SGS55N *

* OPTIONAL

Surgical Guide IS Lab Analog *

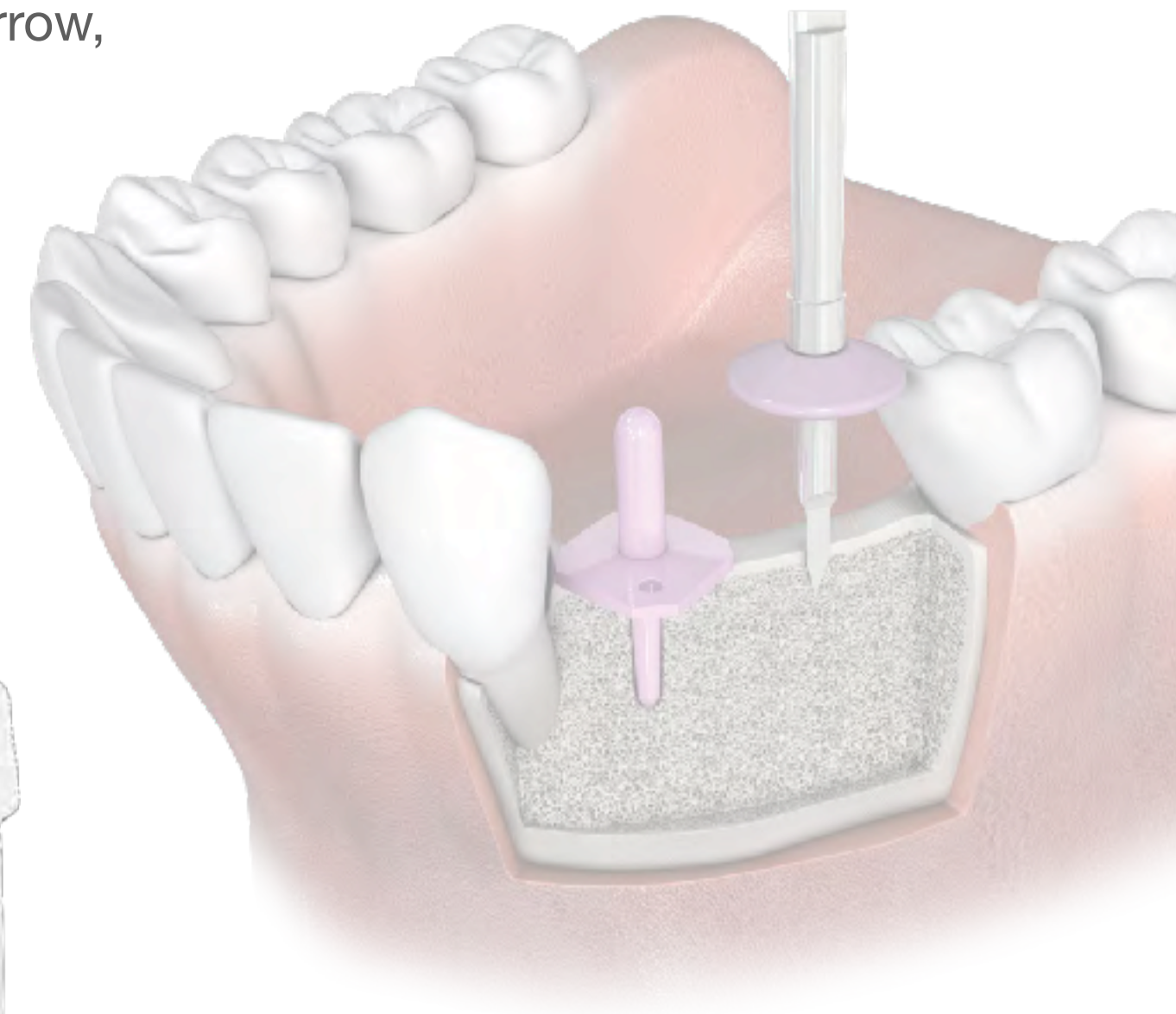


Product Code	SGISLA400 *
--------------	-------------

* OPTIONAL

NEO MASTER KIT

The Neo Master Kit is a complete solution for fixture implantation, compatible with IS-II, IS-III, IS-III S-Narrow, and IT-III Active fixtures. It features flexible drill and stopper options for precise procedures.



Surgical Drill



Drill Diameter	Ø2.2		Ø3.0		Ø3.5		Ø4.0		Ø4.5	
Length	Short	Long	Short	Long	Short	Long	Short	Long	Short	Long
Product Code	TSD22CS	TSD22CL	TSD30CS	TSD30CL	TSD35CS	TSD35CL	TSD40CS	TSD40CL	TSD45CS	TSD45CL

Drill Stopper



Length(mm)	3.0	4.0	5.0	6.0	6.6	7.3	8.5	10.0	11.5	13.0
Product Code	DS030C	DS040C	DS050C	DS060C	DS066C	DS070C	DS085C	DS100C	DS115C	DS130C

Guide Point Drill

Diameter	Product Code
Ø1.35	PD13



Lindemann Drill

Diameter	Length	Product Code
Ø2.3	Short	LDS23C
	Long	LDS23CL



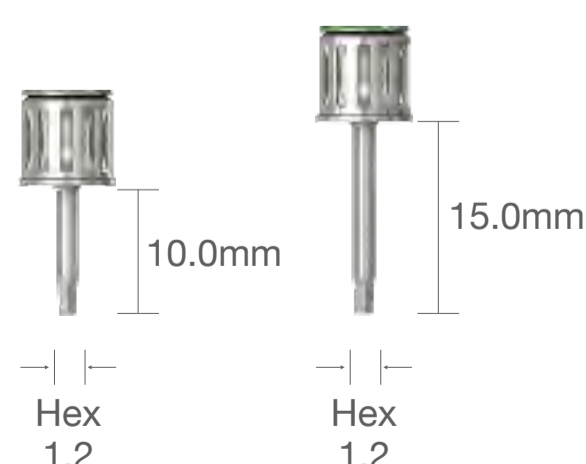
Drill Extension

Product Code	DE01
--------------	------



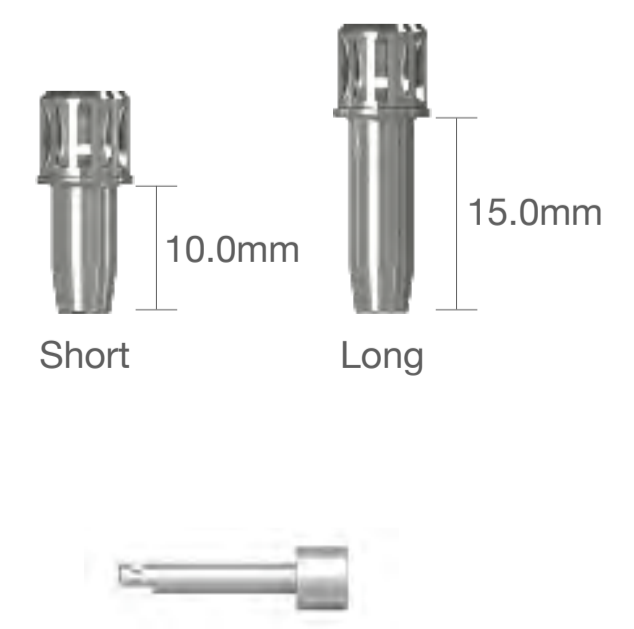
Hex Driver

Length(mm)	Product Code
10.0	HD1210S
15.0	HD1215S



Connector

Length	Product Code
Short	RC10
Long	RC15
Product Code	CAA00

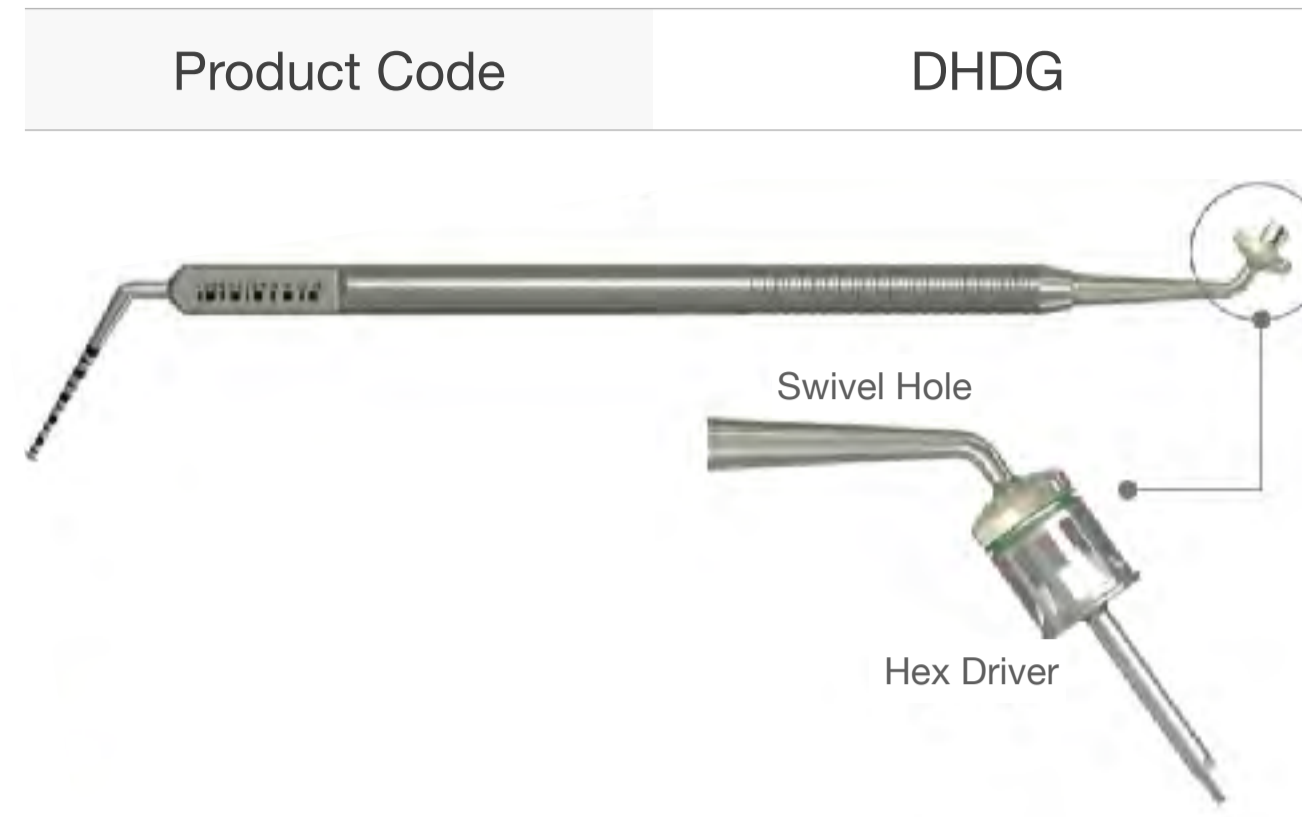


NEO MASTER KIT

Cortical Tap (0.8(IS-II)/0.9(IS-III) Pitch)

		Cortical Tap (IS-II Active)	Cortical Tap (IS-III Active)
Diameter	FØ3.5	CT38S08	CT38S09
	FØ4.0	CT43S08	CT43S09
	FØ4.5	CT45S08	CT45S09
	FØ5.0	CT50S08	CT50S09
	FØ5.5	CT55S08	CT55S09

Driver Holder & Depth Gauge



IS Fixture Driver

Length	Product Code
Ratchet(Short)	ISFD10R
Ratchet(Long)	ISFD15R
Contra Angle(Short)	ISFD05C
Contra Angle(Long)	ISFD05CL



IT Fixture Driver

Length	Product Code
Ratchet(Short)	ITFD031RS
Ratchet(Long)	ITFD031RL
Contra Angle(Short)	ITFD031S
Contra Angle(Long)	ITFD031L



MD Parallel Pin

Diameter	Product Code
Ø4.0 / Ø5.0	MDPP4050
Ø6.0 / Ø7.0	MDPP6070
Ø8.0 / Ø9.0	MDPP8090



MD Spacer

Diameter	Product Code
Ø4.0	MDS4025
Ø7.0	MDS7030
Ø8.0	MDS8030



* Only for Guide Point Drill

Direction Pin

Diameter	Product Code
Ø3.6	DP36
Ø4.5	DP45



S-Narrow Drill Stopper

Length(mm)	3.0	4.0	5.0	6.0
Product Code	DS085CS	DS100CS	DS115CS	DS130CS



S-Narrow Surgical Drill

Diameter	Product Code
Ø2.2	TSDS22CL
Ø2.7	TSD27CL



S-Narrow Fixture Drive

Product Code	ISFDSNCL
--------------	----------



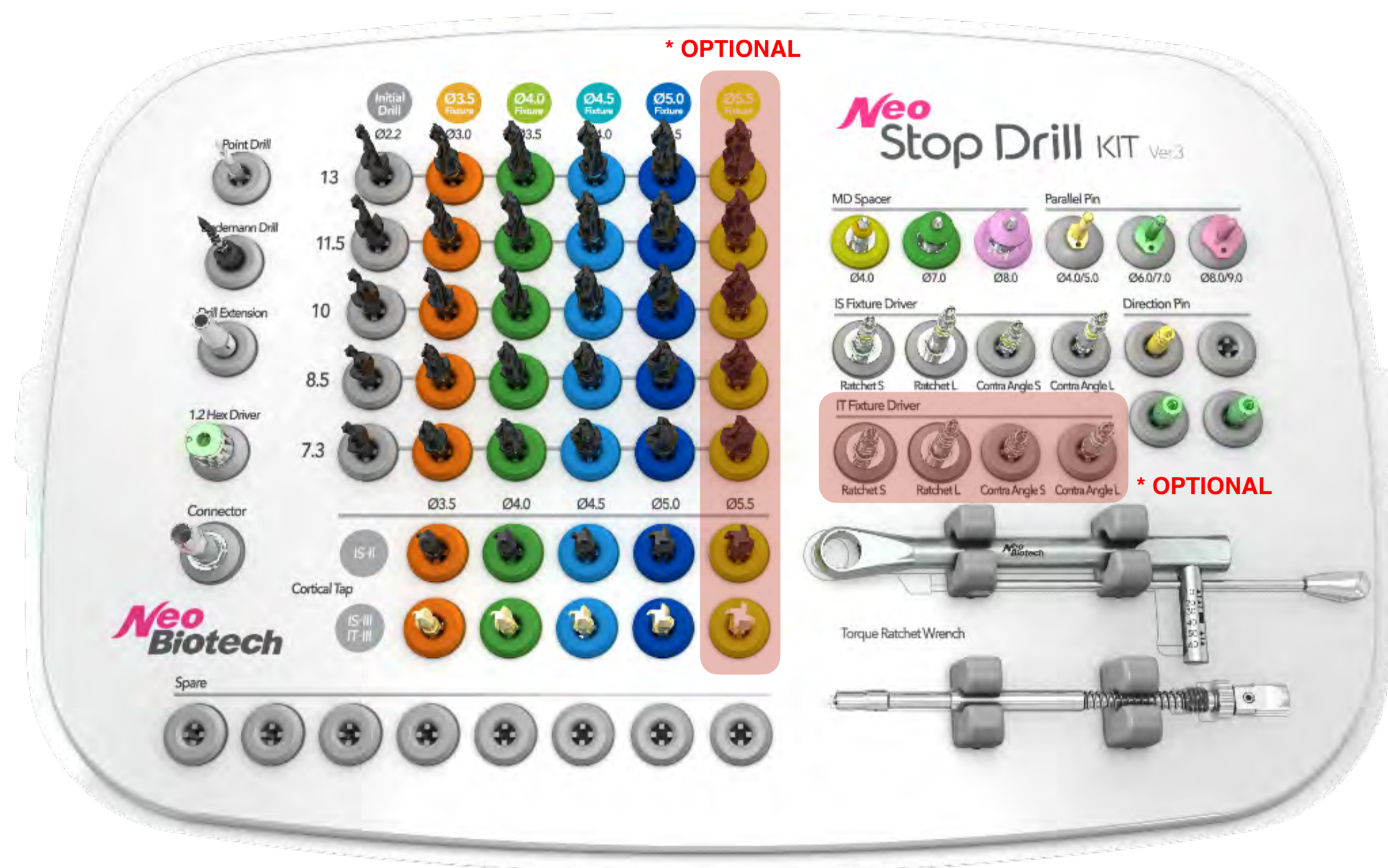
S-Narrow Cortical Tap

Product Code	CT32S09
--------------	---------



STOP DRILL KIT

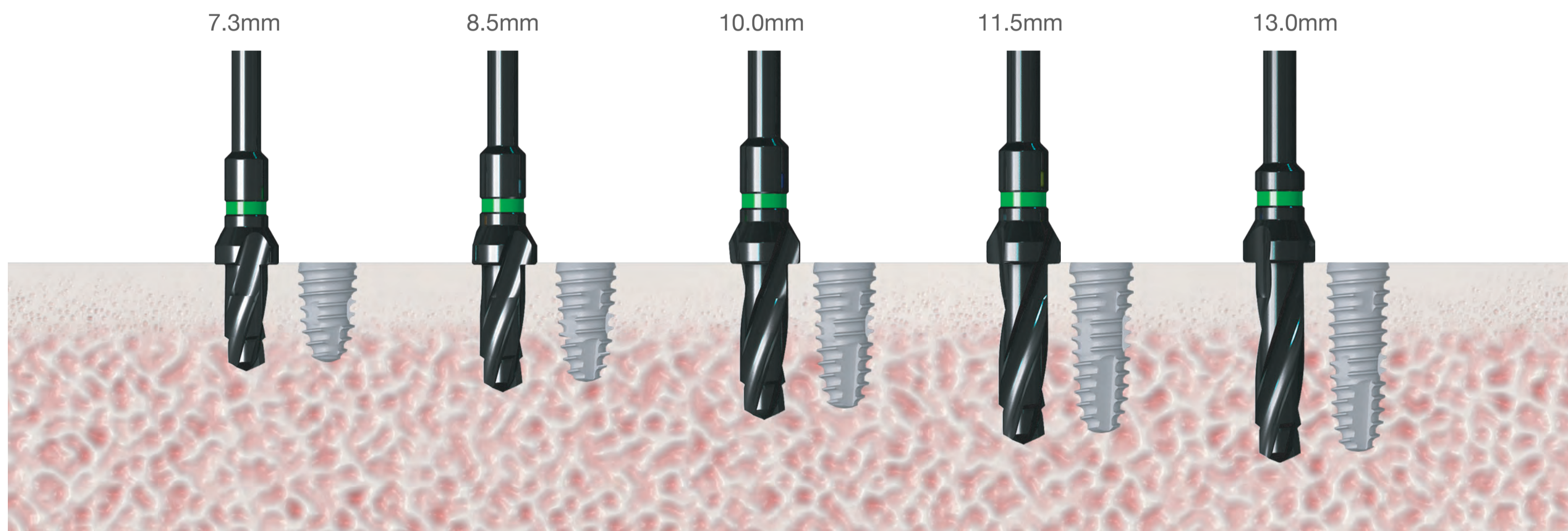
Stop drills are stopper integrated surgical drills. Full drill line-up per length and diameter maximize convenience and requires no need of additional stopper installation.



Stop Drill

Drill Diameter	Ø2.2	Ø3.0	Ø3.5	Ø4.0	Ø4.5	Ø5.0	
Length (mm)	7.3	TSD2207S9	TSD3007S9	TSD3507S9	TSD4007S9	TSD4507S9	TSD5007S9
	8.5	TSD2208S9	TSD3008S9	TSD3508S9	TSD4008S9	TSD4508S9	TSD5008S9
	10.0	TSD2210S9	TSD3010S9	TSD3510S9	TSD4010S9	TSD4510S9	TSD5010S9
	11.5	TSD2211S9	TSD3011S9	TSD3511S9	TSD4011S9	TSD4511S9	TSD5011S9
	13.0	TSD2213S7	TSD3013S7	TSD3513S7	TSD4013S7	TSD4513S7	TSD5013S7

* OPTIONAL: Drill Ø5.0(7.3~13.0)



Guide Point Drill

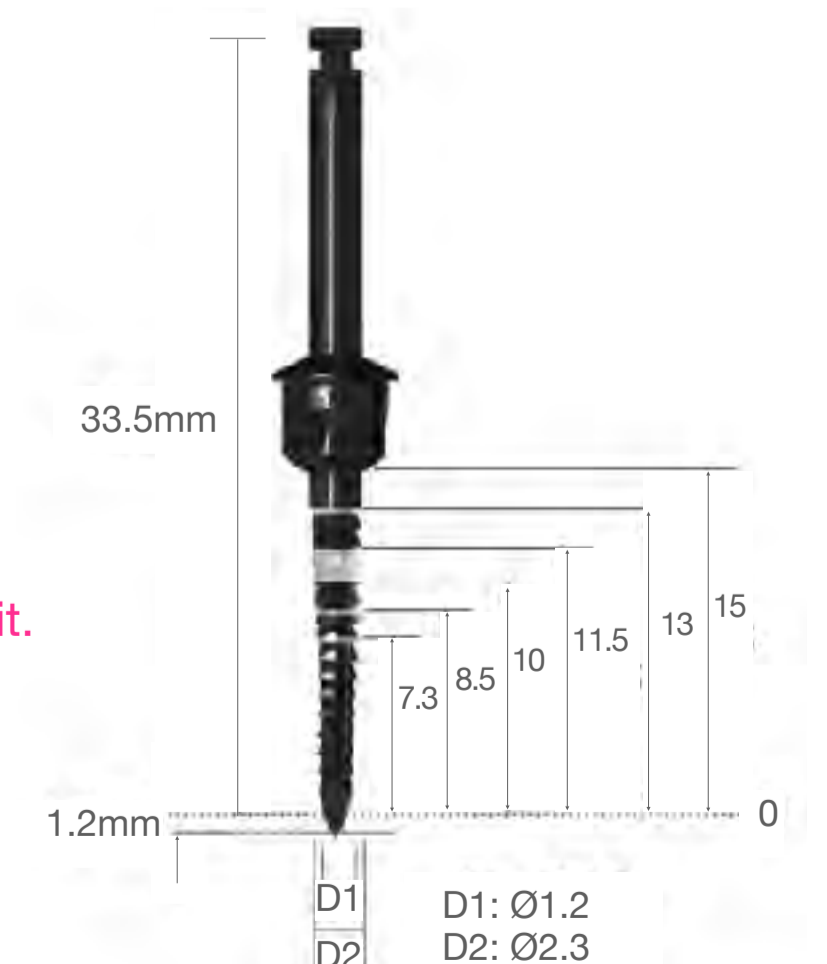
Diameter	Product Code
Ø1.35	PD13



Lindemann Drill

Diameter	Product Code
Ø2.3	LDS23C

* OPTIONAL, Lindemann Drill is NOT included in Stop Drill Kit.



STOP DRILL KIT

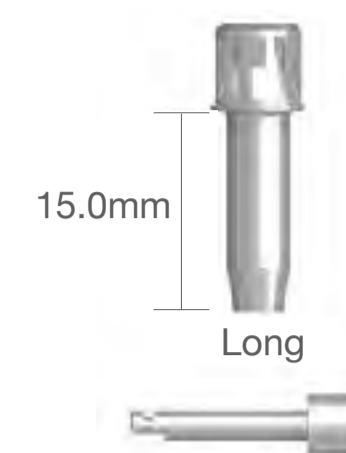
Cortical Tap (0.8(IS-II)/0.9(IS-III) Pitch)

		Cortical Tap (IS-II Active)	Cortical Tap (IS-III Active)
Diameter	FØ3.5	CT38S08	CT38S09
	FØ4.0	CT43S08	CT43S09
	FØ4.5	CT45S08	CT45S09
	FØ5.0	CT50S08	CT50S09
	FØ5.5	CT55S08	CT55S09

* OPTIONAL: Cortical Tap Ø5.5/IS-II Active, Ø5.5/IS-III Active

Connector

Length	Product Code
Long	RC15
Product Code	CAA00



Hex Driver

Length(mm)	Product Code
15.0	HD1215S



IS Fixture Driver

Length	Product Code
Ratchet(Short)	ISFD10R
Ratchet(Long)	ISFD15R
Contra Angle(Short)	ISFD05C
Contra Angle(Long)	ISFD05CL



IT Fixture Driver

Length	Product Code
Ratchet(Short)	ITFD031RS
Ratchet(Long)	ITFD031RL
Contra Angle(Short)	ITFD031S
Contra Angle(Long)	ITFD031L



* OPTIONAL, IT Fixture Driver is NOT included in Stop Drill Kit.

MD Parallel Pin

Diameter	Product Code
Ø4.0 / Ø5.0	MDPP4050
Ø6.0 / Ø7.0	MDPP6070
Ø8.0 / Ø9.0	MDPP8090



MD Spacer

Diameter	Product Code
Ø4.0	MDS4025
Ø7.0	MDS7030
Ø8.0	MDS8030



* Only for Guide Point Drill

Direction Pin

Diameter	Product Code
Ø3.6	DP36
Ø4.5	DP45



Drill Extension

Product Code	DE01
--------------	------



Torque Ratchet

Product Code	TW60
--------------	------



Driver Holder & Depth Gauge

Product Code	DHDG
--------------	------



S-NARROW KIT

This kit can be used to perform implant surgery for IS-III active(Ø3.2).



Component	Product Code
KIT TRAY TOP	CSTKITTRAY1
KIT TRAY MIDDLE	SNKITTRAY2
KIT TRAY BOTTOM	CSTKITTRAY3

* The top, middle, bottom tray and components of the S-narrow Kit are sold separately

Drill Extension



Product Code
DE01

Cortical Tap



Diameter	Product Code
Ø3.2	CT32S09

Hex Driver



Product Code
HD1215S

Guide Point Drill



Diameter	Product Code
Ø1.35	PD13

Cortical Drill



Diameter	Product Code
Ø3.1	ISCD32

Direction Pin



Diameter	Product Code
Ø3.6	DP36

Surgical Drill



Diameter	Product Code
Ø2.2	TSDS22CL
Ø2.7	TSD27CL

Fixture Driver



Product Code
ISFDSNRL
ISFDSNCL

Connector



Product Code
RC15S

Drill Stopper



Length(mm)	8.5	10.0	11.5	13.0
Product Code	DS085CS	DS100CS	DS115CS	DS130CS

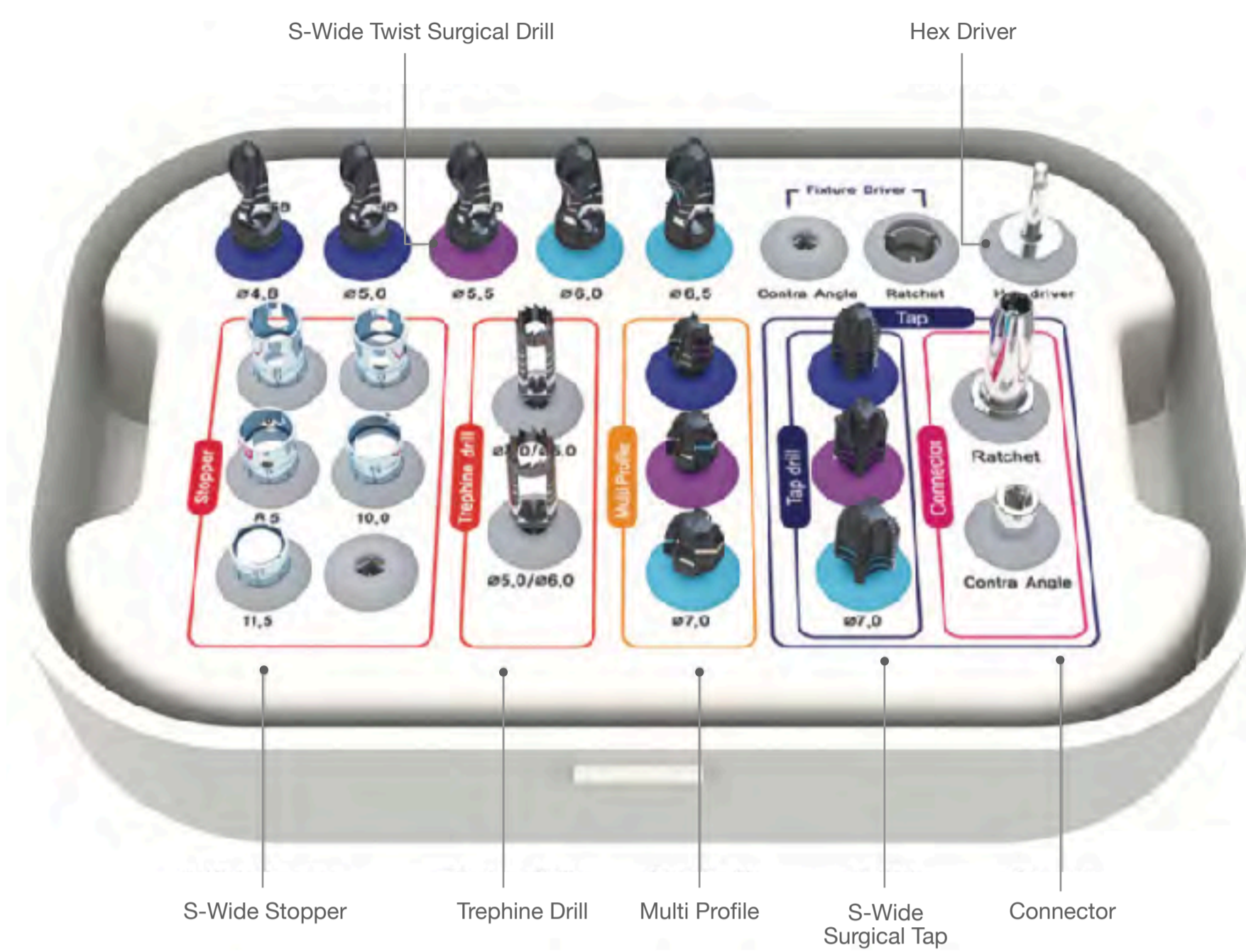
Torque Ratchet



Product Code	TW60
--------------	------

S-WIDE KIT

This kit can be used to perform implant surgery for IS-III Active(Ø5.5~Ø6.0), IS-II Active(Ø5.5~Ø7.0), IT-III Active Wide neck (Ø5.5~Ø6.0).

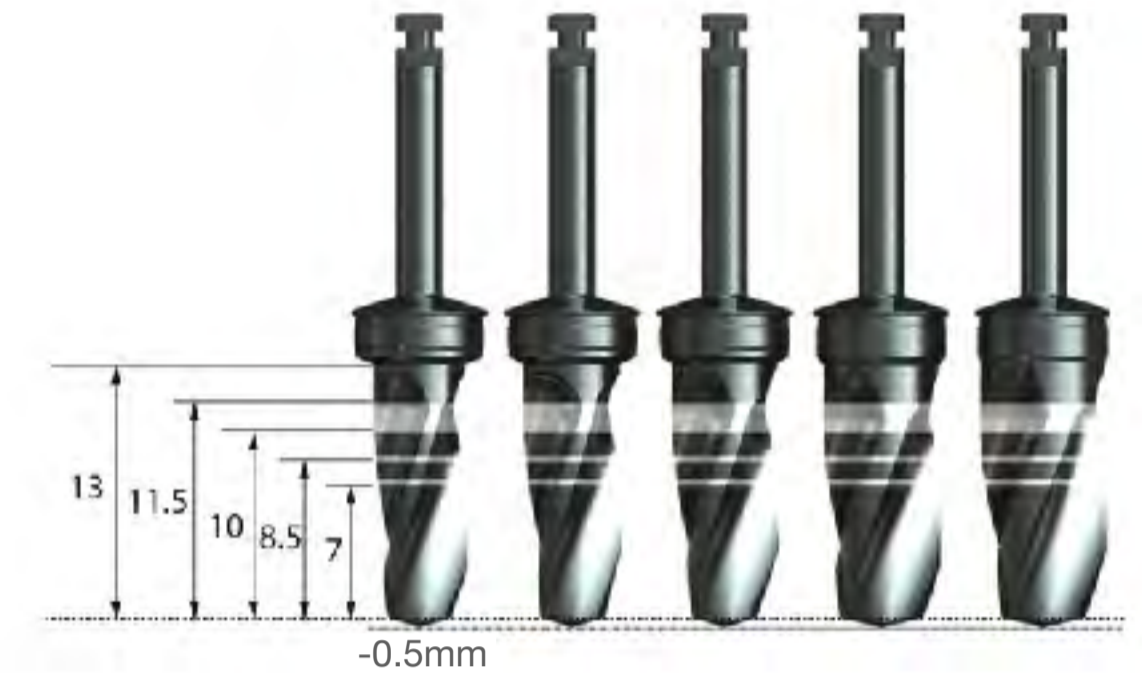


S-Wide Stopper Trepine Drill Multi Profile S-Wide Surgical Tap Connector

Product Code	SWKIT
--------------	-------

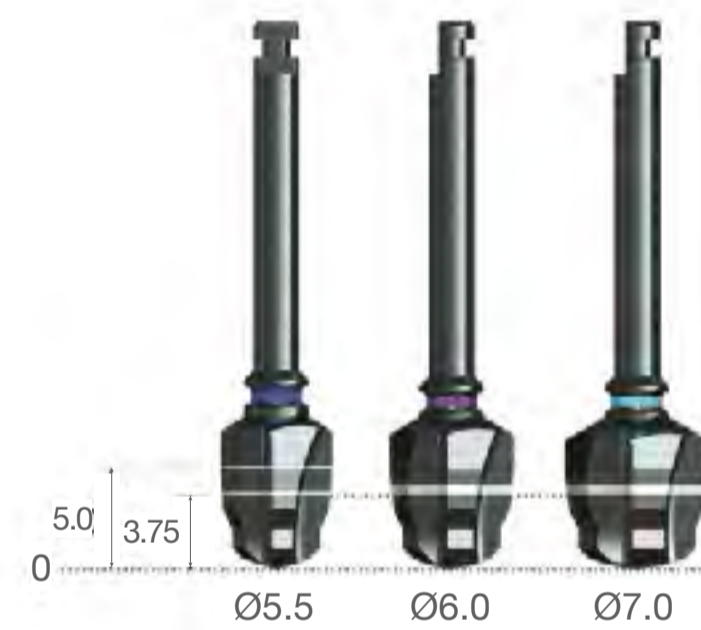
S-WIDE TWIST SURGICAL Drill

Diameter	Product Code
Ø4.8	TSD48
Ø5.0	TSD50
Ø5.5	TSD55
Ø6.0	TSD60
Ø6.5	TSD65



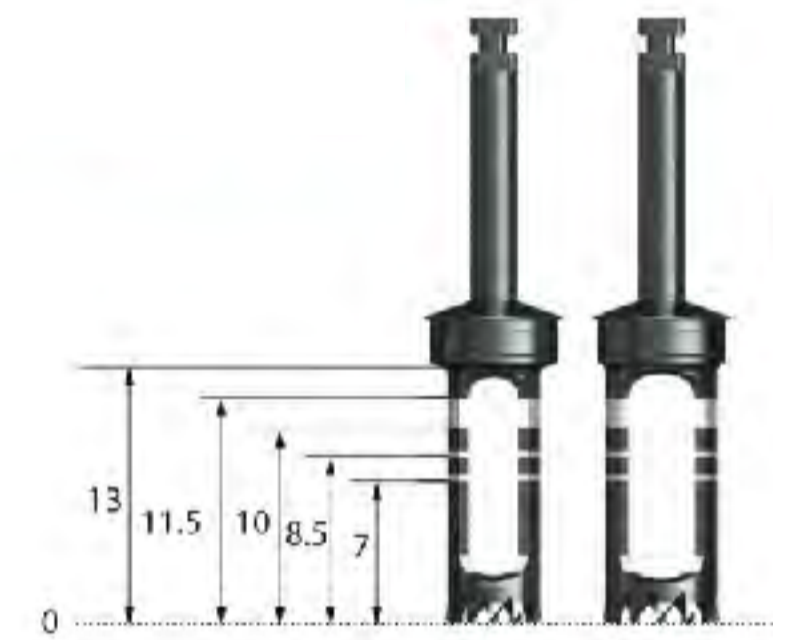
S-WIDE Multi Profile

Diameter	Product Code
Ø5.5	MP55
Ø6.0	MP60
Ø7.0	MP70



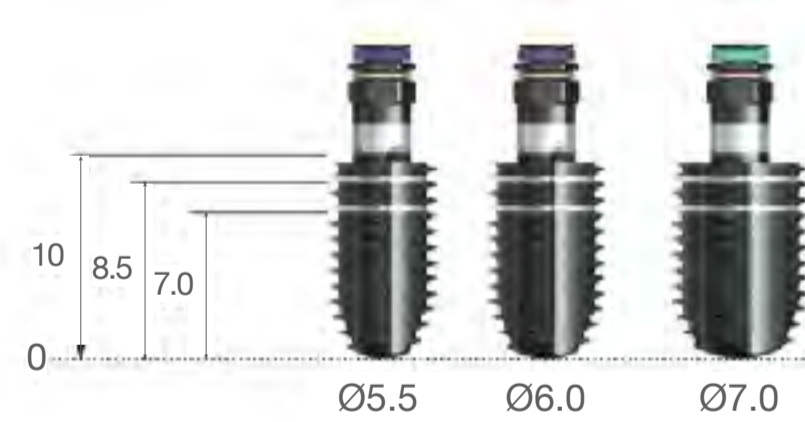
Trepine Drill

Diameter	Product Code
Ø4.0 / Ø5.0	TB40
Ø5.0 / Ø6.0	TB50



S-WIDE Surgical Tap

Diameter	Product Code
Ø5.5	TD55
Ø6.0	TD60
Ø7.0	TD70



S-WIDE Drill Stopper

Length(mm)	6.0	7.0	8.5	10.0	11.5
Product Code	DSL060	DSL070	DSL085	DSL100	DSL115



HEX Driver

Type	Product Code
1.2 Hex	HD1212s



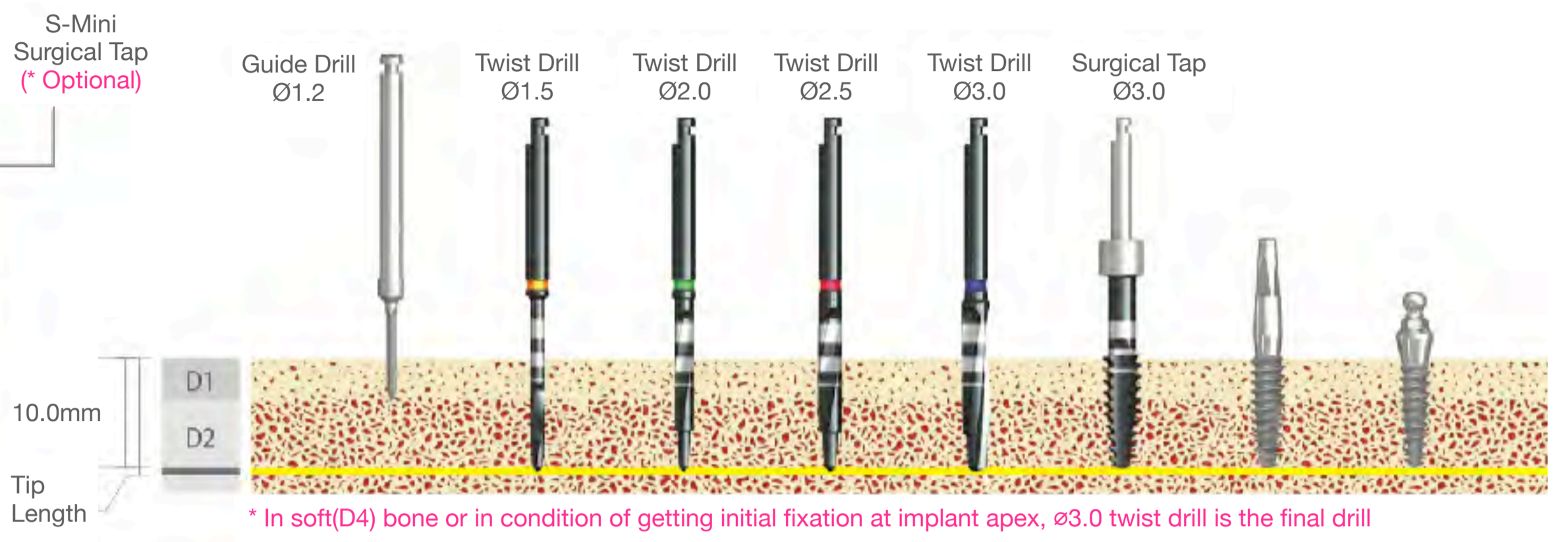
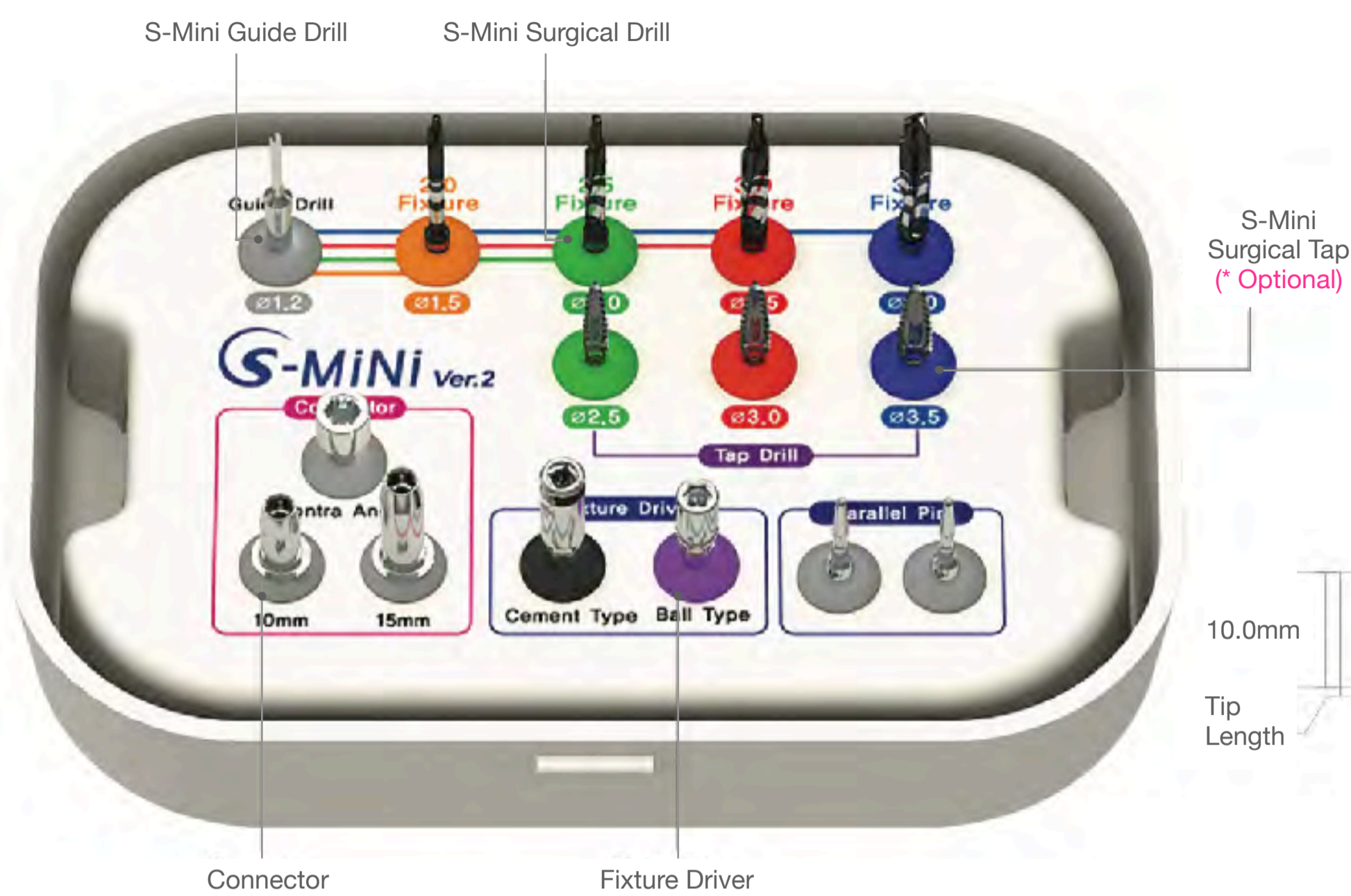
Connector

Type	Product Code
Ratchet	RC10
Contra Angle	CAA00



S-MINI KIT

This kit can be used to perform implant surgery for S-Mini ($\varnothing 2.5\sim\varnothing 3.5$).

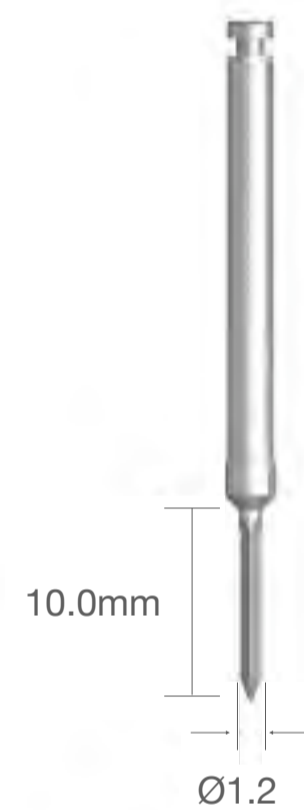


- Pguide Drill, Twist Drill : 1,200rpm / 35~45Ncm
- Tap Drill : 50rpm / 50Ncm

Product Code	SMKIT
--------------	-------

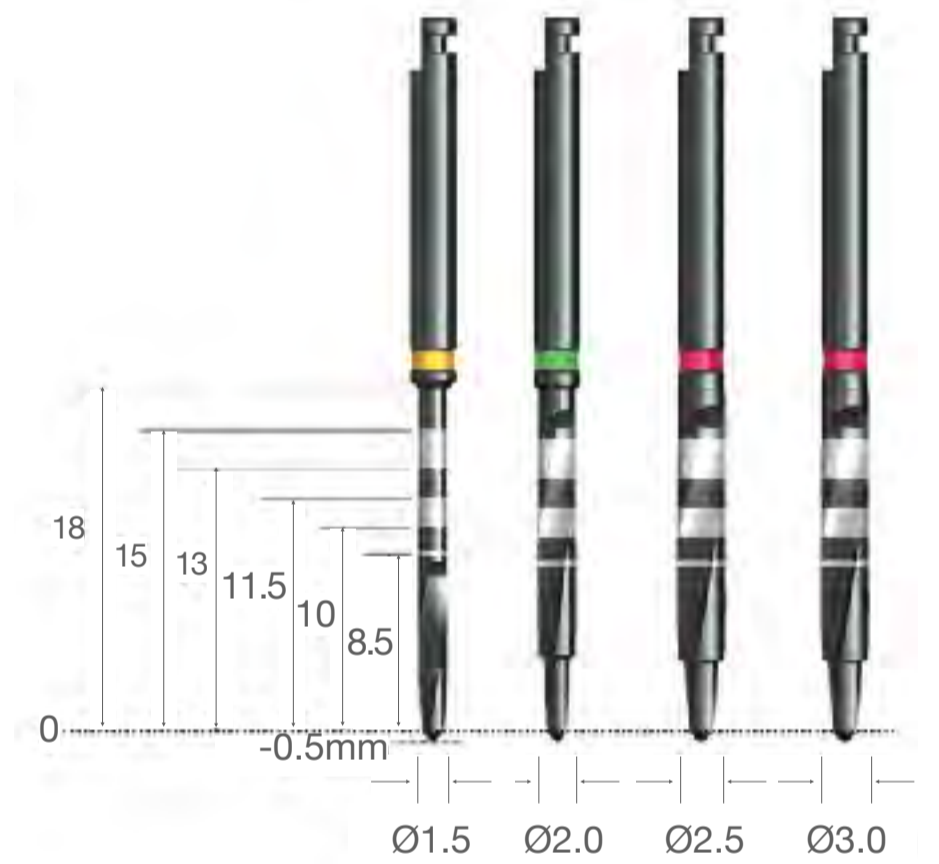
S-MINI Guide Drill

Product Code	MGD12
--------------	-------



S-Mini Twist Surgical Drill

Diameter	Product Code
Ø1.5	MSD15
Ø2.0	MSD20
Ø2.5	MSD25
Ø3.0	MSD30



S-Mini Surgical Tap

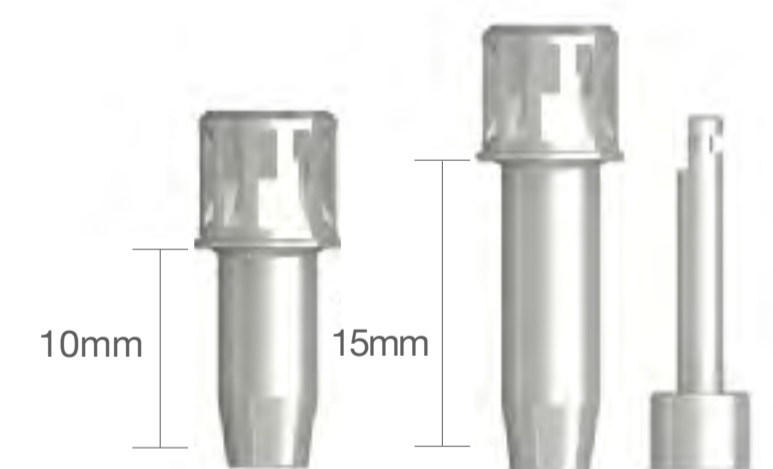
Diameter	Product Code
Ø2.5	MTD25**
Ø3.0	MTD30**
Ø3.5	MTD35**



** OPTIONAL

Connector

Length	Product Code
Ratchet(Short)	RC10**
Ratchet(Long)	RC15
Contra Angle	CAA00



** OPTIONAL

Fixture Driver

Type	Product Code
Cement	ISQD20
Ball	BADH24



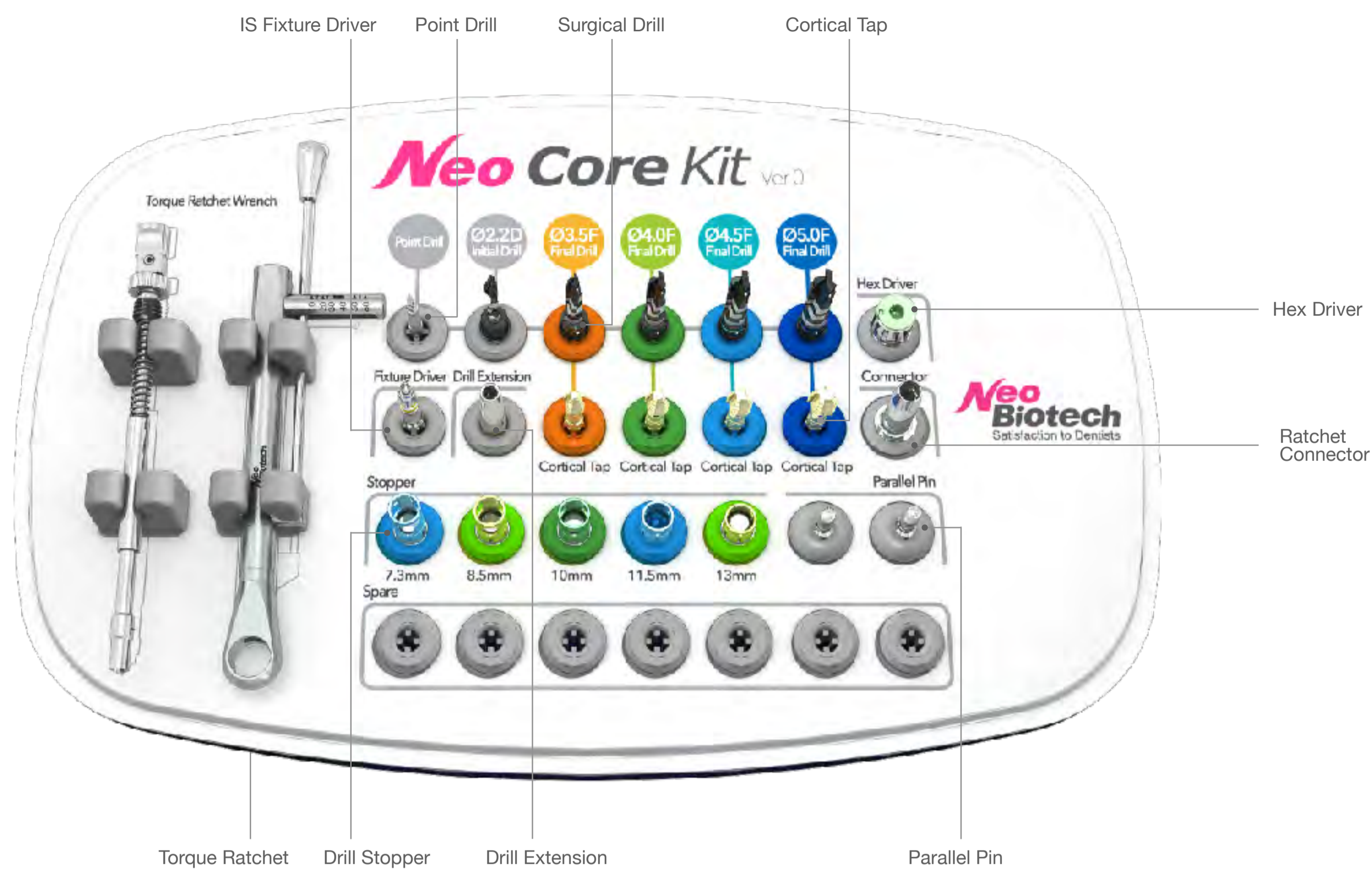
Parallel Pin

Product Code	MPP10
--------------	-------



NEO CORE KIT

Simple Surgical Kit for IS-III Active.

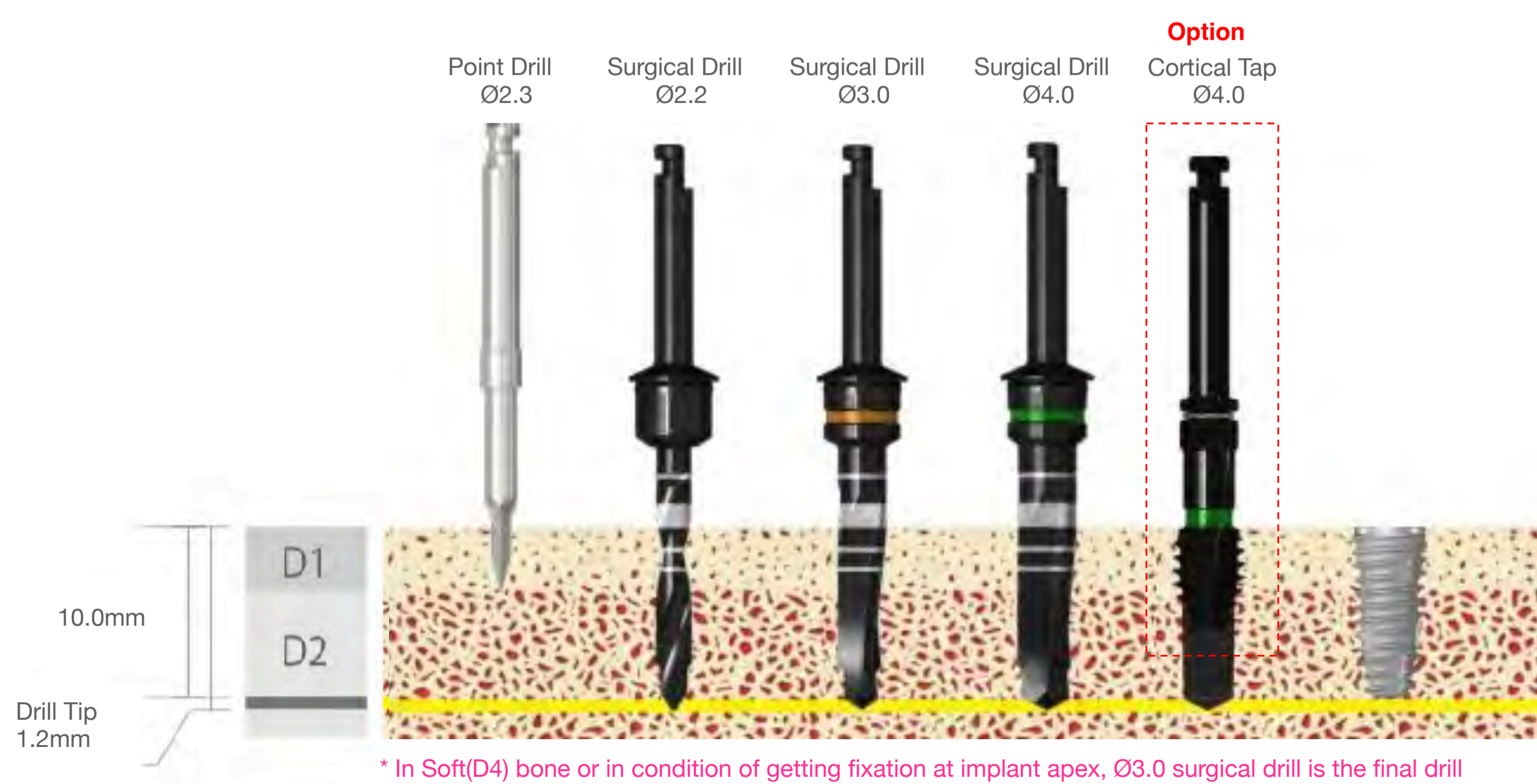


Product Code	NEOCKIT
--------------	---------

Drilling Sequence (IS-III Active)



Drilling Sequence (IS-II Active)



NEO CORE KIT

Guide Point Drill

Diameter	Product Code
Ø2.3	PD13



Surgical Drill

Diameter	Product Code
Ø2.2	TSD22CS
Ø3.0 (3.5F)	TSD30CS
Ø3.5 (4.0F)	TSD35CS
Ø4.0 (4.5F)	TSD40CS
Ø4.5 (5.0F)	TSD45CS



Cortical Tap (IS-III Active Implant)

Diameter	Product Code
Ø3.5	CTS38S09
Ø4.0	CTS43S09
Ø4.5	CTS45S09
Ø5.0	CTS50S09



Drill Stopper

Length(mm)	7.3	8.5	10.0	11.5	13.0
Product Code	DS070C	DS085C	DS100C	DS115C	DS130C



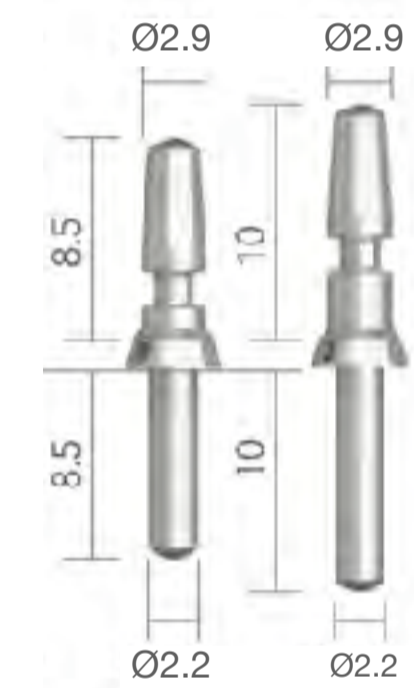
IS Fixture Driver

Product Code	ISFD05C
--------------	---------



Parallel Pin

Length(mm)	Product Code
8.5	PP08F
10.0	PP10F



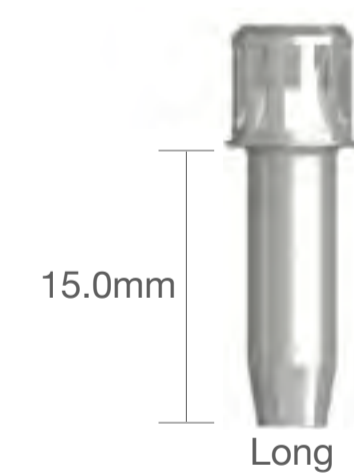
Drill Extension

Product Code	DE01
--------------	------



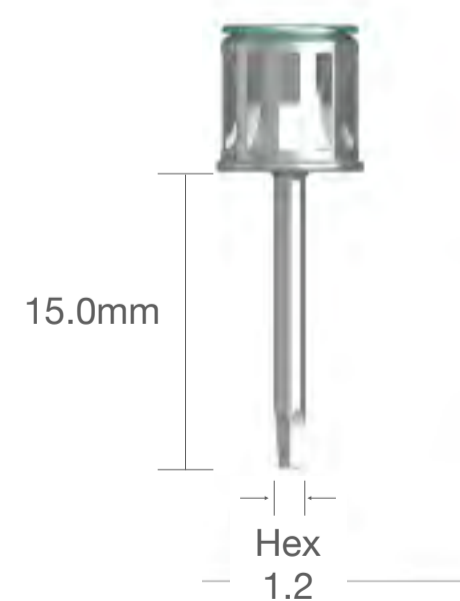
Ratchet Connector

Product Code	RC15
--------------	------



Hex Driver

Product Code	HD1215S
--------------	---------



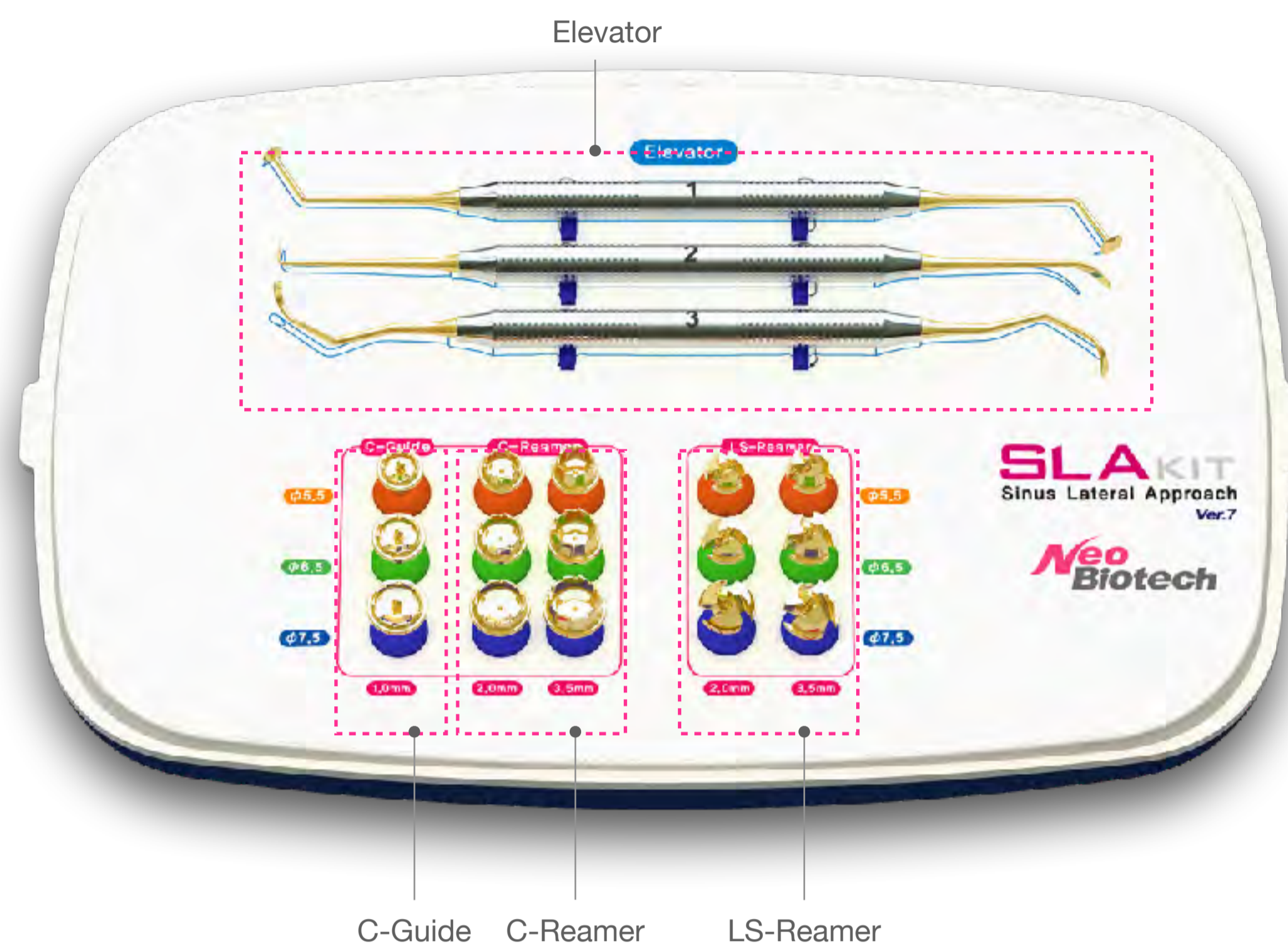
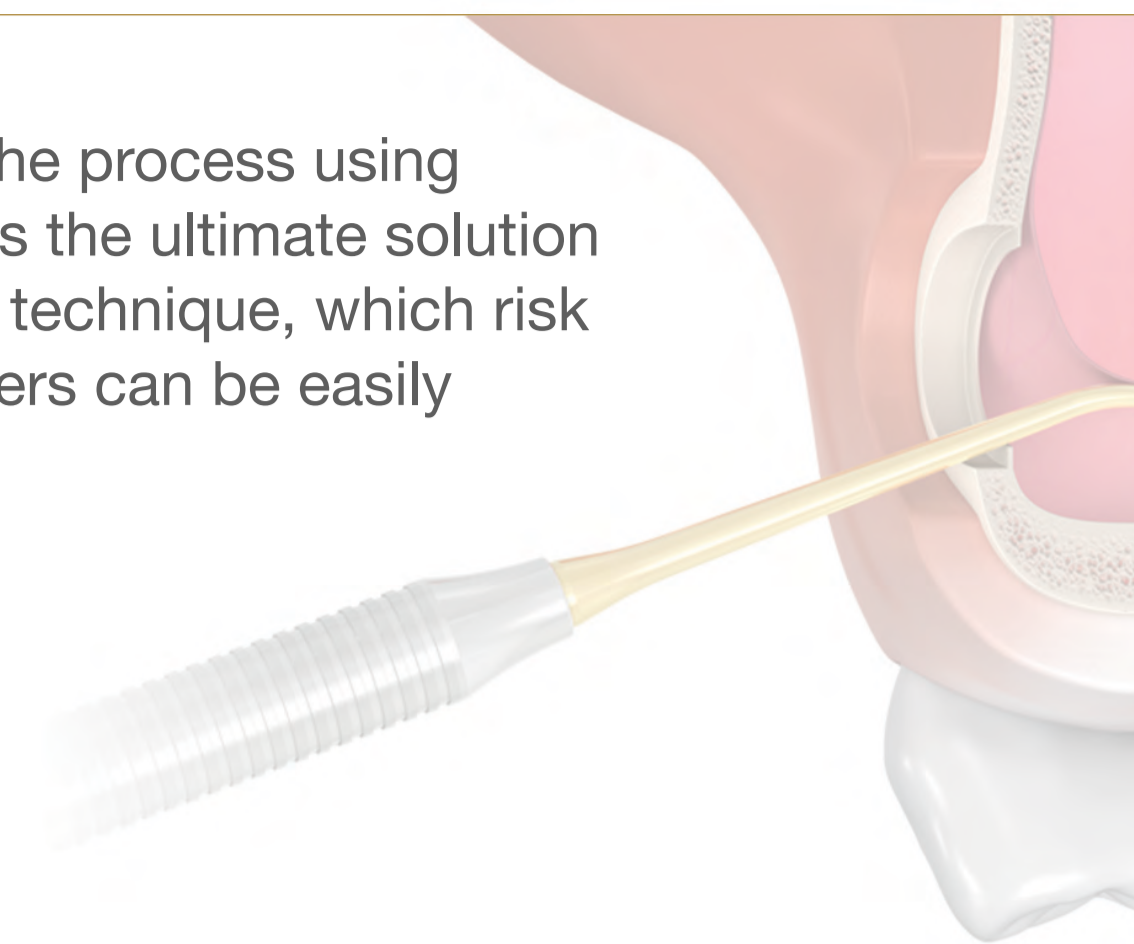
Torque Ratchet

Product Code	TW60
--------------	------



SLA KIT (Sinus Lateral Approach Kit)

Lateral window technique is the formation of the access to the maxillary sinus through its lateral wall. The process using this tool is simpler and much comfortable than any other techniques. Above all, this surgical kit provides the ultimate solution for the cases of only having with a thin residual bone height which is difficult to approach with a crestal technique, which risk membrane rupture by a sinus crestal approach or by placing a multiple implants. In addition, SLA reamers can be easily adapted for the case of formation of minimum flap size on the inferior wall.



SLA Kit

Product Code

SLAKIT

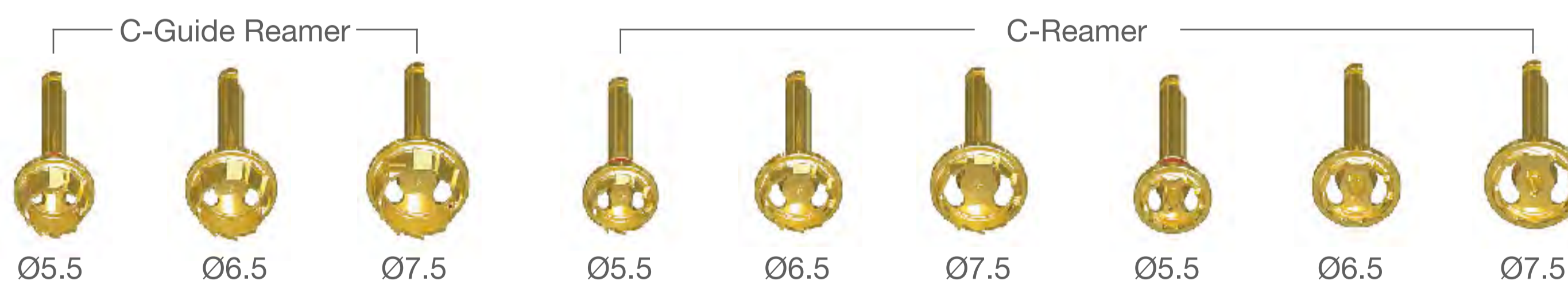
LS-Reamer



Length(mm)	2.0			3.5		
Diameter(Ø)	Ø 5.5	Ø 6.5	Ø 7.5	Ø 5.5	Ø 6.5	Ø 7.5
Product Code	LS520	LS620	LS720	LS535	LS635	LS735

• Speed: 5,000RPM(1:1) / 2,000RPM(20:1)

C-Guide Reamer & C-Reamer

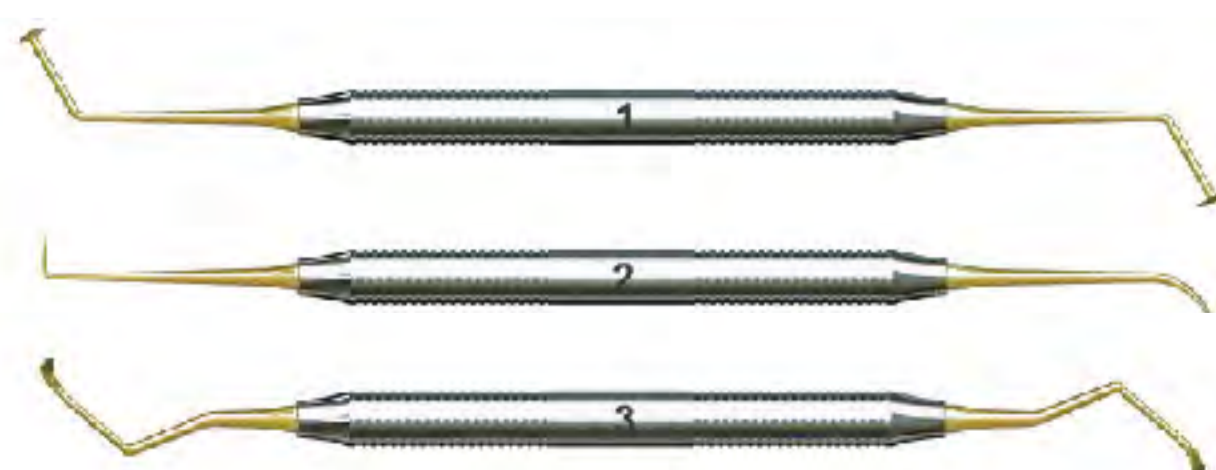


Length(mm)	1.0			2.0			3.5		
Diameter(Ø)	Ø 5.5	Ø 6.5	Ø 7.5	Ø 5.5	Ø 6.5	Ø 7.5	Ø 5.5	Ø 6.5	Ø 7.5
Product Code	SCG510	SCG610	SCG710	LC520	LC620	LC720	LC535	LC635	LC735

• Speed: 5,000RPM(1:1) / 2,000RPM(20:1)

Sinus Elevator

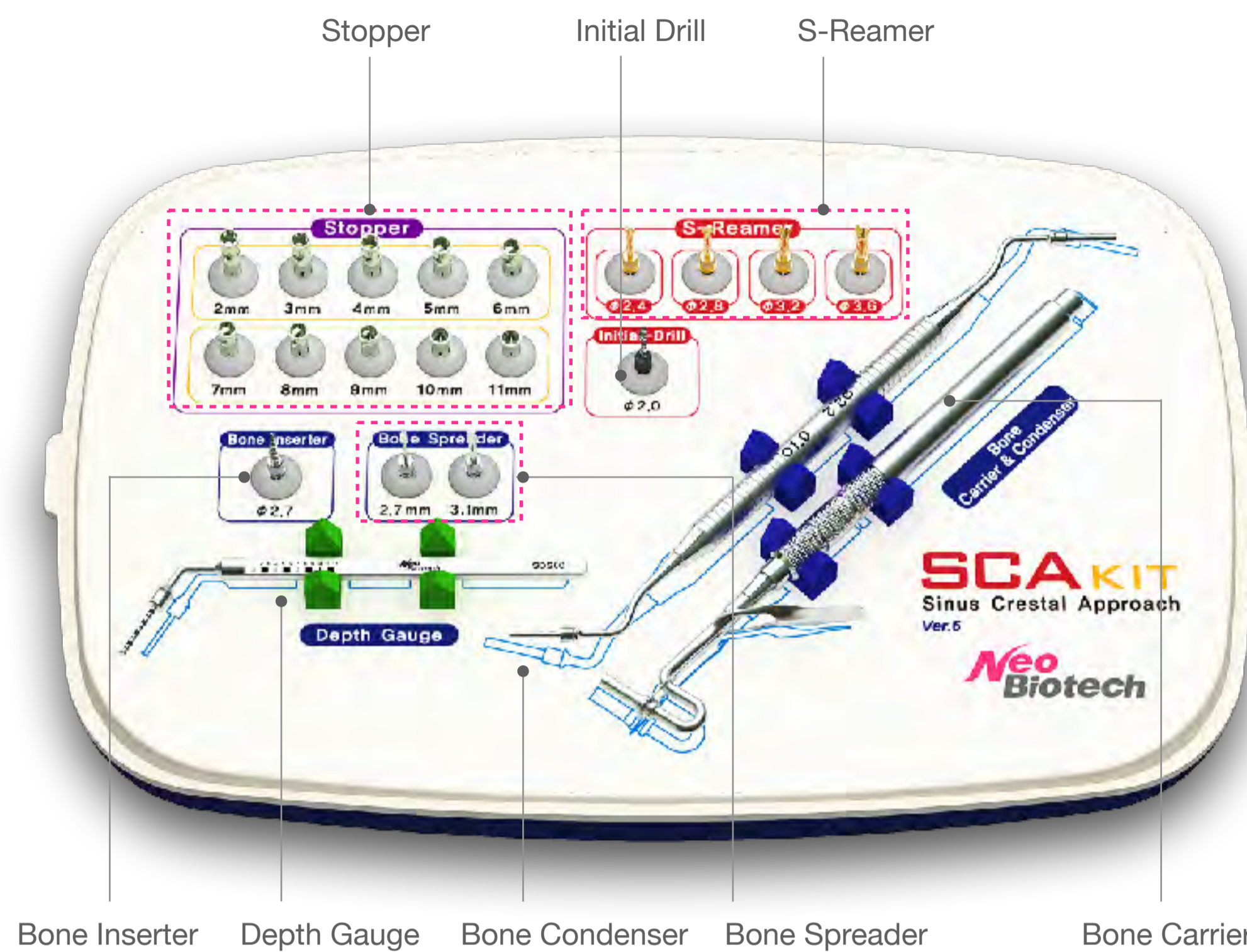
Type	Product Code
Elevator 1	SLE05
Elevator 2	SLE02
Elevator 3	SLE03



• Speed: 5,000RPM(1:1) / 2,000RPM(20:1)

SCA KIT (Sinus Crestal Approach Kit)

SCA Kit is a set of drilling tools for the inferior cortical bone without any tearing of membrane and to make a perforation on the inferior cortical bone without malleting osteotome technique. Therefore, user can get CMI Fixation (Initial Fixation in Crest cortical bone, Middle cancellous bone and Inferior cortical bone).



SCA Kit

Product Code SCAKIT

S-Reamer

Diameter(Ø)	Ø 2.4	Ø 2.8	Ø 3.2	Ø 3.6
Product Code	ICR24	ICR28	ICR32	ICR36

• Speed: 1,200RPM



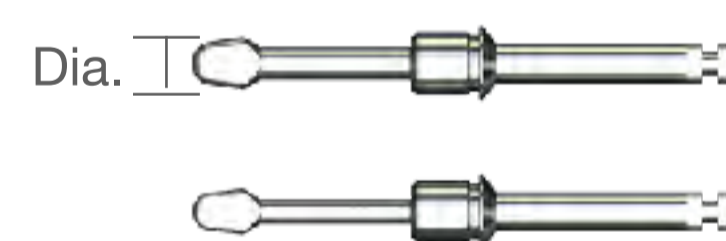
Stopper



Length(mm)	2.0	3.0	4.0	5.0	6.0	7.0	8.0	9.0	10.0	11.0
Product Code	SKS02	SKS03	SKS04	SKS05	SKS06	SKS07	SKS08	SKS09	SKS10	SKS11

Bone Spreader

Diameter(Ø)	Product Code
Ø 2.7	SBS20
Ø 3.1	SBS30



Initial Drill

Diameter(Ø)	Product Code
Ø 2.0	SSD20



• Speed: 1,200RPM

Bone Carrier

Product Code	JUMBO2
--------------	--------

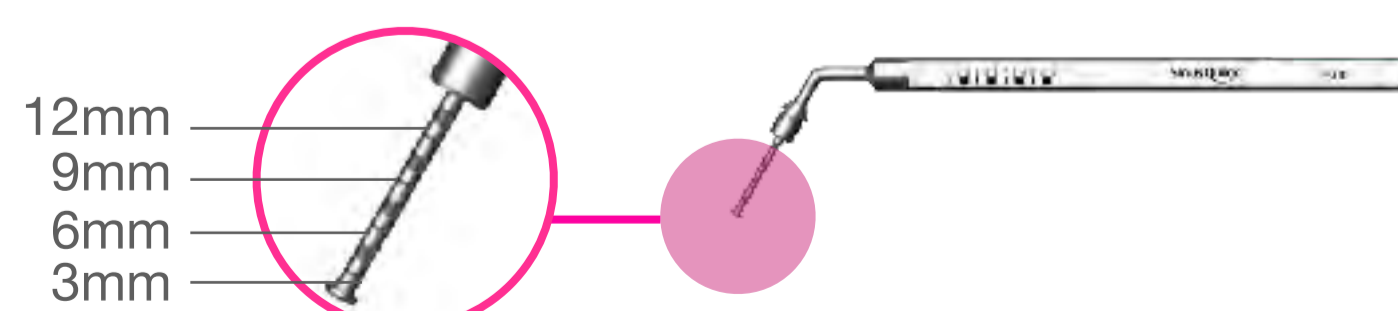


Bone Condenser

Product Code	SBC01
--------------	-------



Depth Gauge



Product Code	SDG00
--------------	-------

Bone Inserter

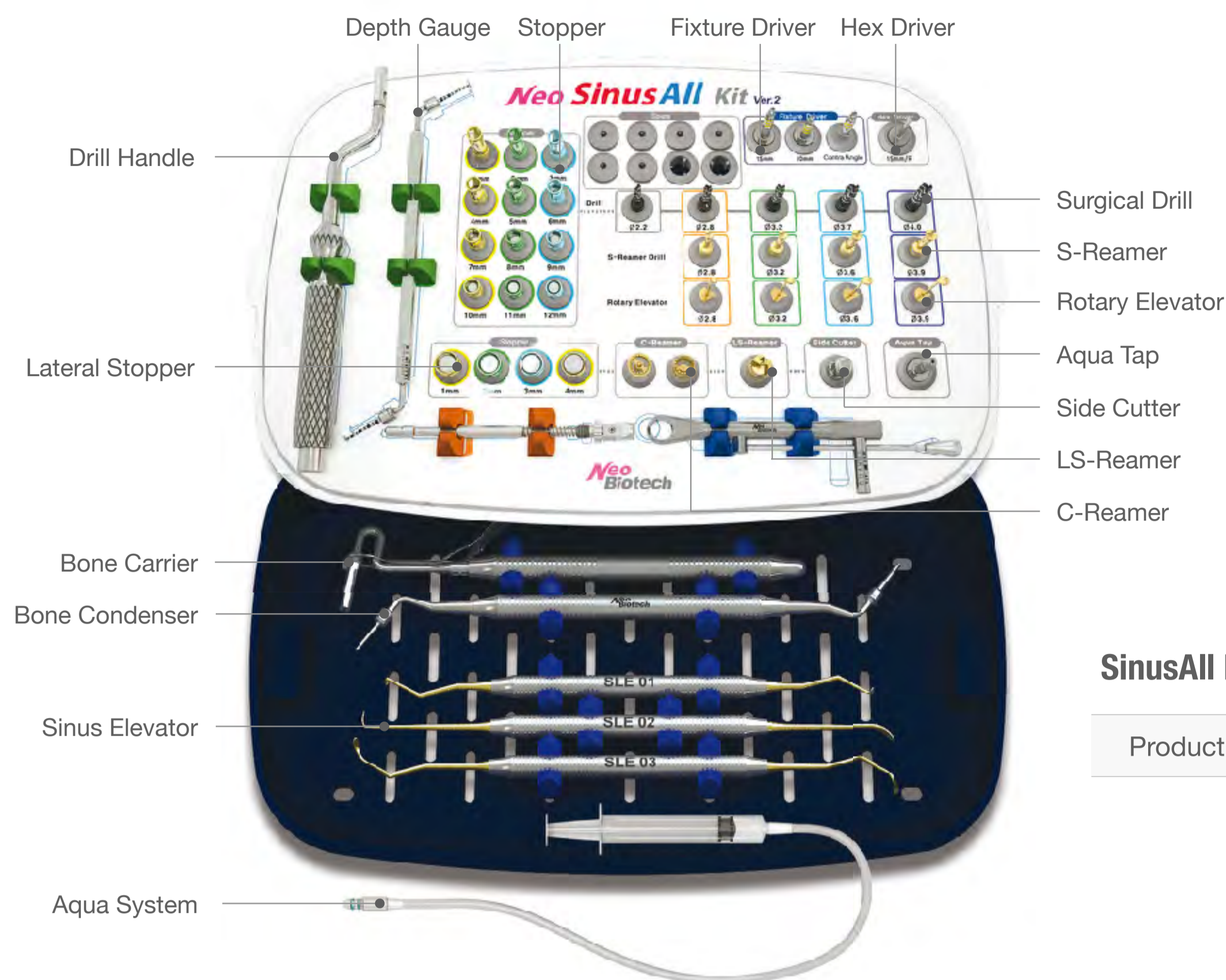
Product Code	SBI27
--------------	-------



• Speed: 80RPM

SINUS ALL KIT

The SinusAll Kit combines NeoBiotech's SCA (Sinus Crestal Approach) Kit, SLA (Sinus Lateral Approach) Kit, and the Surgical Kit into a single kit. The product allows maxillary sinus implant procedures to take place using a single kit, rather than having to prepare a sinus kit and a surgical kit separately.



SinusAll Kit

Product Code	SAKIT
--------------	-------

Surgical Drill



Diameter(Ø)	Ø 2.2	Ø 2.8	Ø 3.2	Ø 3.7	Ø 4.0
Product Code	SAD22	SAD28	SAD32	SAD37	SAD40

• Speed: 1,200RPM

S-Reamer



Diameter(Ø)	Ø 2.8	Ø 3.2	Ø 3.6	Ø 3.9
Product Code	SAR 28	SAR 32	SAR 36	SAR 39

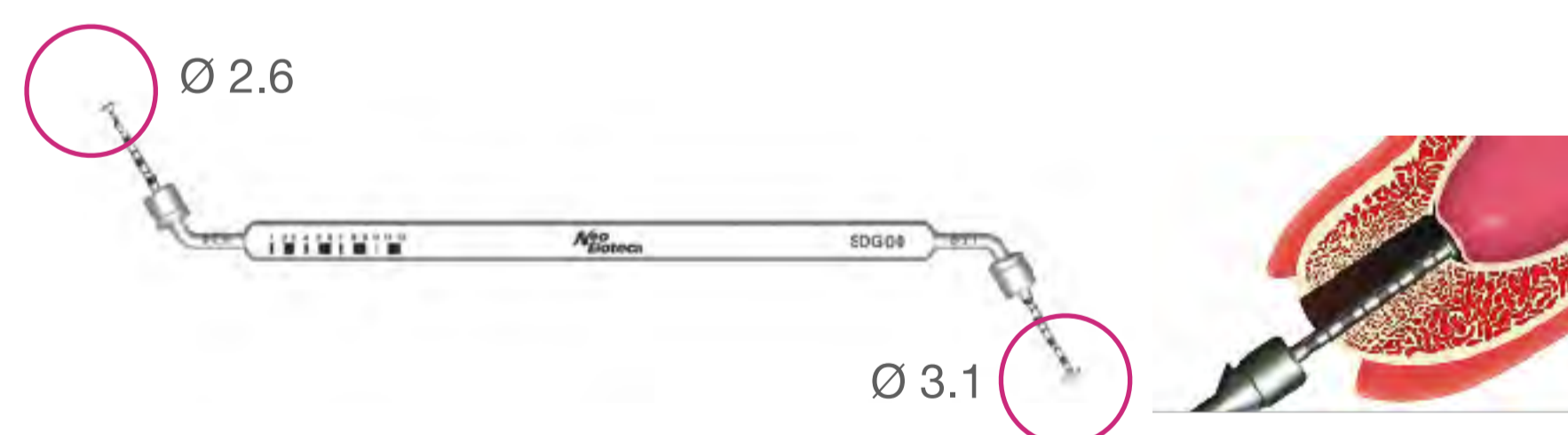
Rotary Elevator



Diameter(Ø)	Ø 2.8	Ø 3.2	Ø 3.6	Ø 3.9
Product Code	SARE28	SARE32	SARE36	SARE39

• Speed: 80RPM

Depth Gauge



Product Code	SADG01
--------------	--------

• Tip sizes come in Ø2.6 and Ø3.1

Stopper



Length(mm)	1.0	2.0	3.0	4.0	5.0	6.0	7.0	8.0	9.0	10.0	11.0	12.0
Product Code	CDS010	CDS020	CDS030	CDS040	CDS050	CDS060	CDS070	CDS080	CDS090	CDS100	CDS110	CDS120

SINUS ALL KIT

Aqua System (Aqua Tap)

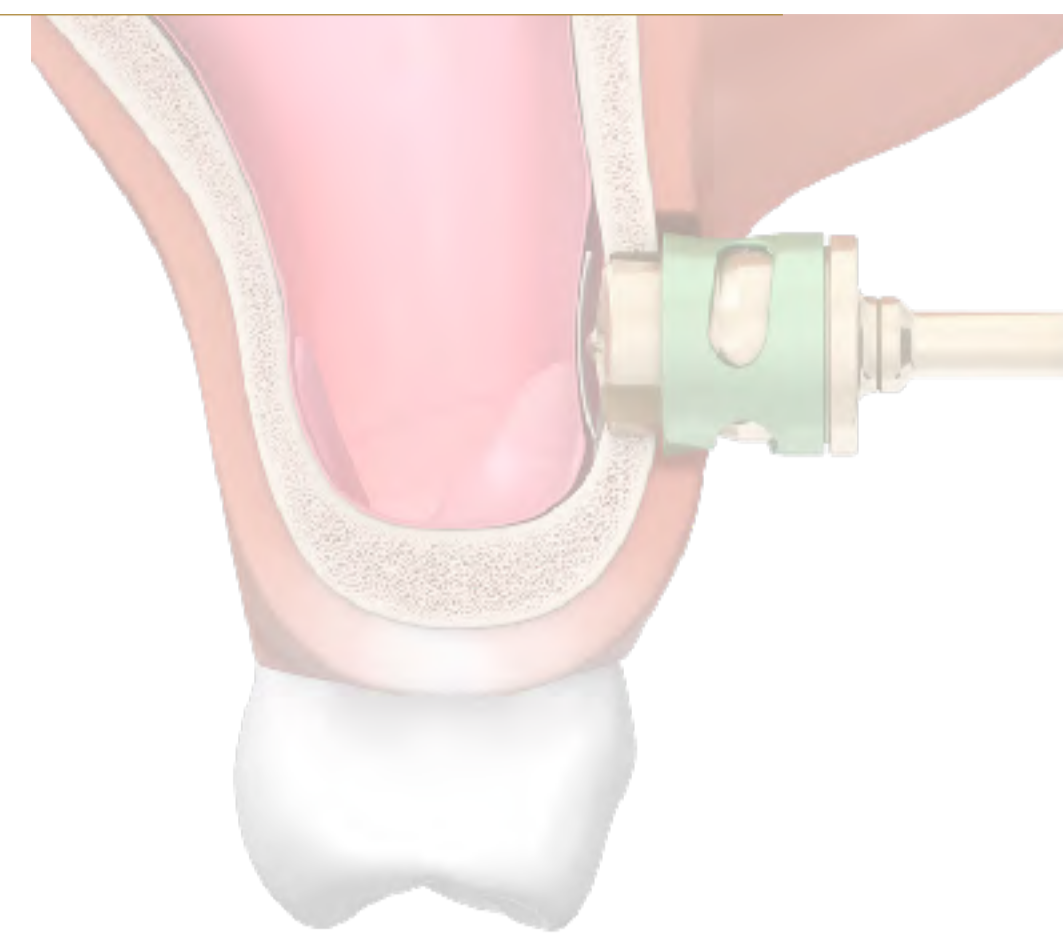
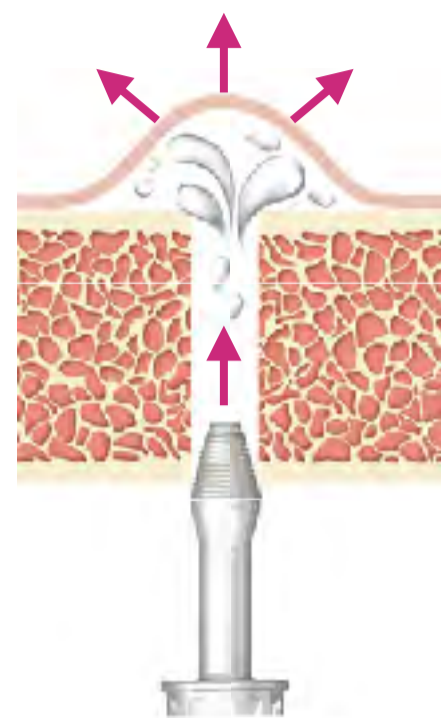
Product Code	AQT
--------------	-----



Aqua System (Aqua Valve, Hose, Syringe(Set))



Product Code	AQST
--------------	------



Bone Carrier

Product Code	JUMBO2
--------------	--------



Bone Condenser

Product Code	SABC01
--------------	--------

• Tip sizes come in Ø1.5 and Ø2.2



Drill Handle

Product Code	SADH01
--------------	--------



Torque Ratchet Wrench

Product Code	TW60
--------------	------



LS-Reamer

Product Code	SALS640
--------------	---------



C-Guide & C-Reamer

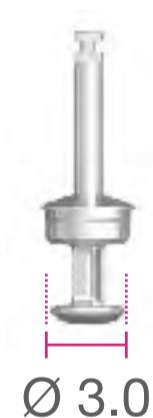
Type	C-Guide	C-Reamer
Product Code	SACG610	SAC640



Side Cutter

Diameter(Ø)	Product Code
Ø 3.0	SCT30

• Speed: 1,200RPM



Hex Driver

Product Code	HD1215S
--------------	---------



Lateral Stopper



Length(mm)	1.0	2.0	3.0	4.0
Product Code	LTS010	LTS020	LTS030	LTS040

Fixture Driver (IS Type)



Length	Ratchet(Short)	Ratchet(Long)	Contra Angle
Product Code	ISFD10R	ISFD15R	ISFD05C

Sinus Elevator

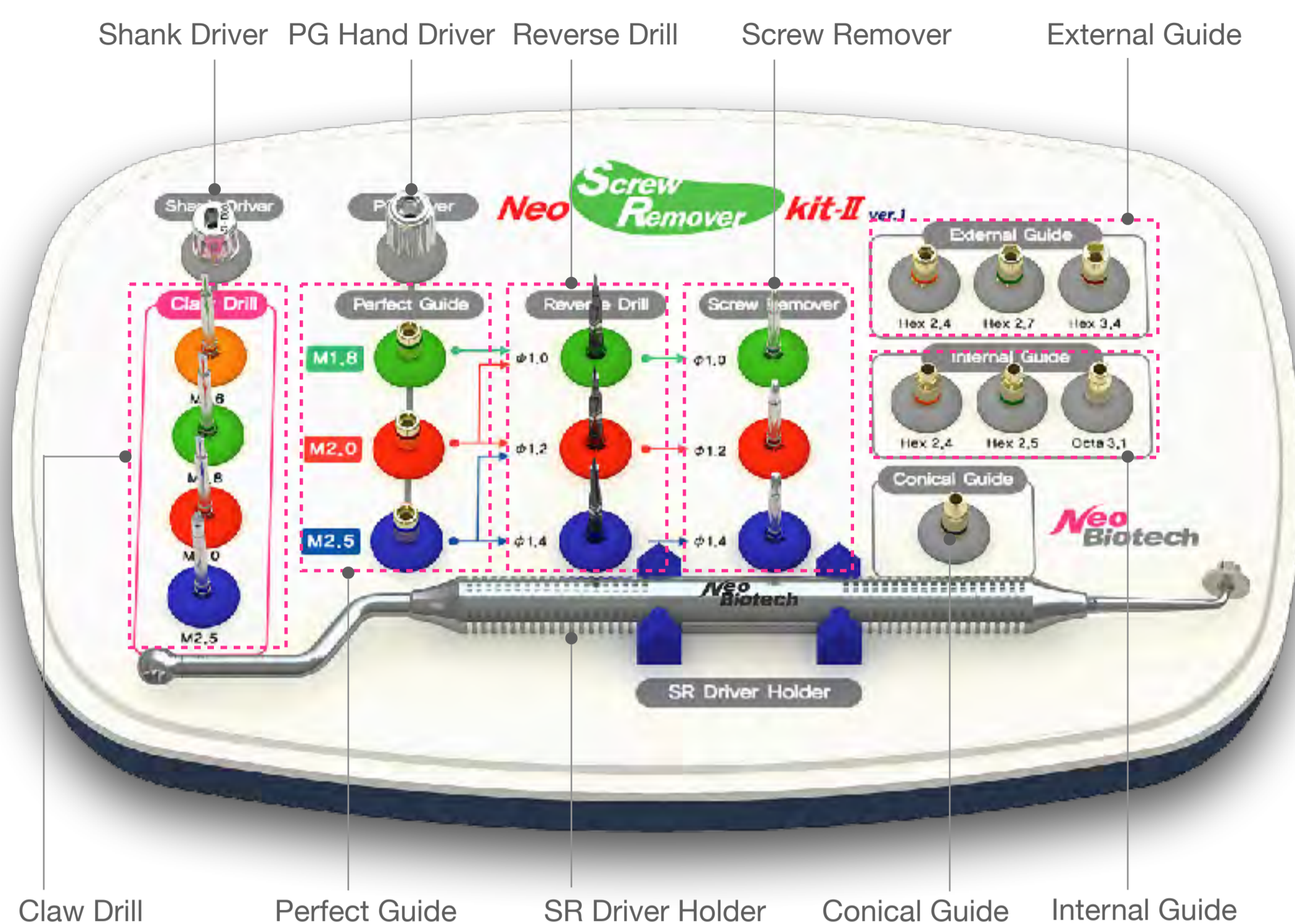
Type	Product Code
Elevator 1	SLE01
Elevator 2	SLE02
Elevator 3	SLE03

• Speed: 5,000RPM(1:1) / 2,000RPM(20:1)



SR KIT (Screw Remover Kit)

This product is a surgical tool developed in order safely and quickly to remove screws that have become fractured inside an implanted Fixture for various reasons. After removing the Screw, a new Abutment may be connected to the Fixture.



SR Kit

Product Code	SRKIT2
--------------	--------

Claw Drill



Featured Screw Size	M1.6	M1.8	M2.0	M2.5
Product Code	CD16	CD18	CD20	CD25

• Speed: 80RPM

Reverse Drill



Diameter(Ø)	Ø 1.0	Ø 1.2	Ø 1.4
Featured Screw Size	M1.8	M2.0	M2.5
Product Code	RCD10	RCD12	RCD14

• For M1.6 Size Screw, use the claw for removal / Speed: 2,000RPM

Screw Remover



Diameter(Ø)	Ø 1.0	Ø 1.2	Ø 1.4
Featured Screw Size	M1.8	M2.0	M2.5
Product Code	SR10	SR12	SR14

• At or below 80RPM

Shank Driver



Standard	Applicable Products	Product Code
For Hand or Ratchet	Screw Remover(SR10, SR12, SR14)	SHD00

SR KIT (Screw Remover Kit)

Perfect Guide & PG Hand Driver

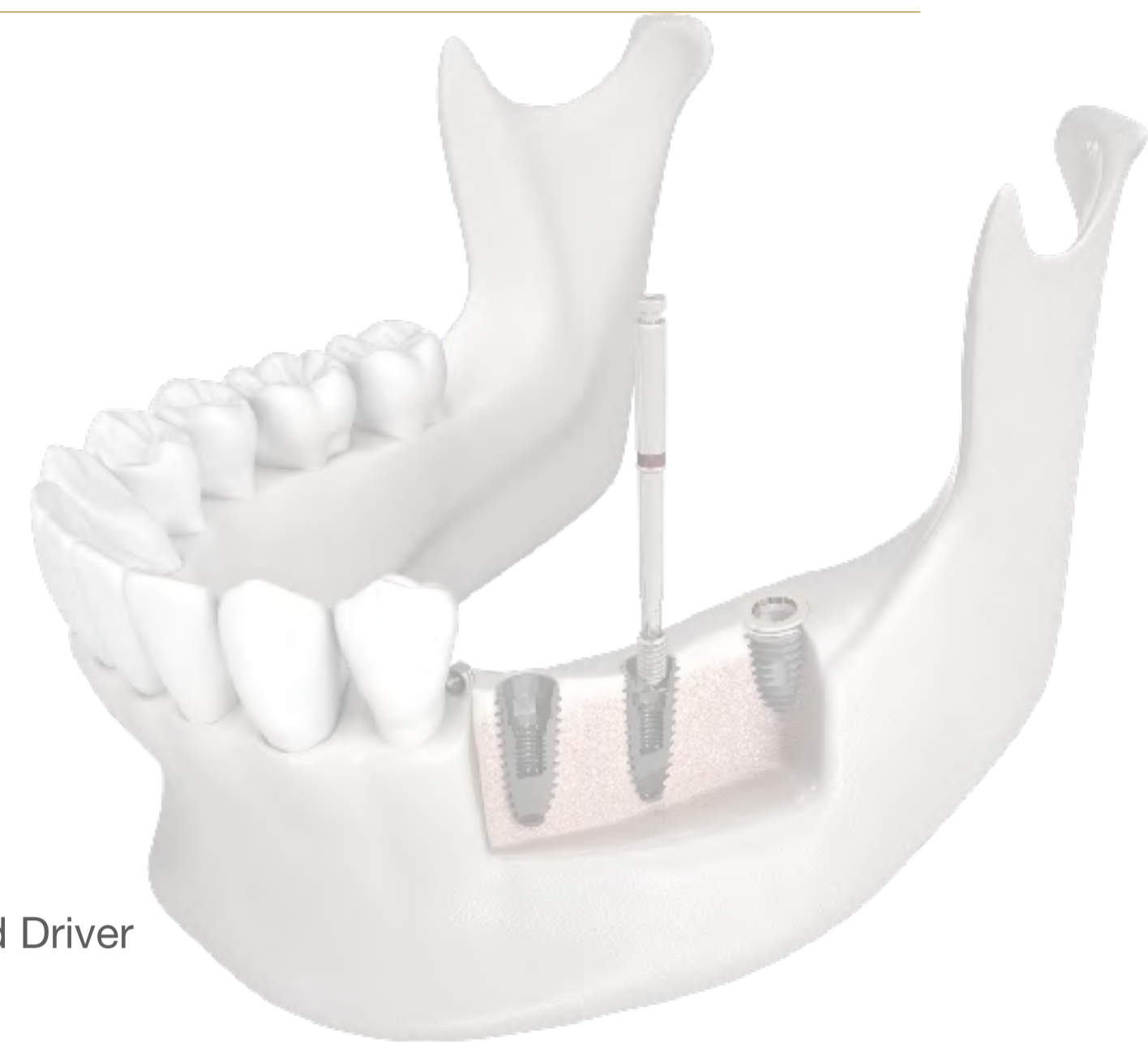
Perfect Guide

Diameter(Ø)	Featured Screw Size	Applicable Reverse Drill	Product Code
Ø 1.0	M1.8	RCD10	PG1018
Ø 1.2	M1.8, M2.0	RCD10, RCD12	PG1220
Ø 1.4	M2.0, M2.5	RCD12, RCD14	PG1425

- Perfect Guide should be used in same size with female screw of fixture.

PG Hand Driver

Standard	Applicable Products	Product Code
2.5 Hex	Screw Remover (PG1018, PG1220, PG1425)	PGHD25S



Conical, Internal, External Guide

Conical Guide

Standard	Applicable Products	Product Code
11° / 8°	Having 11° or 8° Internal Fixture	CG00



Internal Guide

Standard	Applicable Products	Product Code
2.4 Hex	Having 2.4 Hex Internal Connection Fixture	IHG24
2.5 Hex	M2.0 Having 2.5 Hex Internal Connection Fixture	IHG25
3.1 Octa	Having 3.1 Octa Internal Connection Fixture	I0G31



External Guide

Standard	Applicable Fixture	Product Code
2.4 Hex	Having 2.4 Hex External Connection Fixture	EHG24
2.7 Hex	Having 2.7 Hex External Connection Fixture	EHG27
3.4 Hex	Having 3.4 Hex External Connection Fixture	EHG34



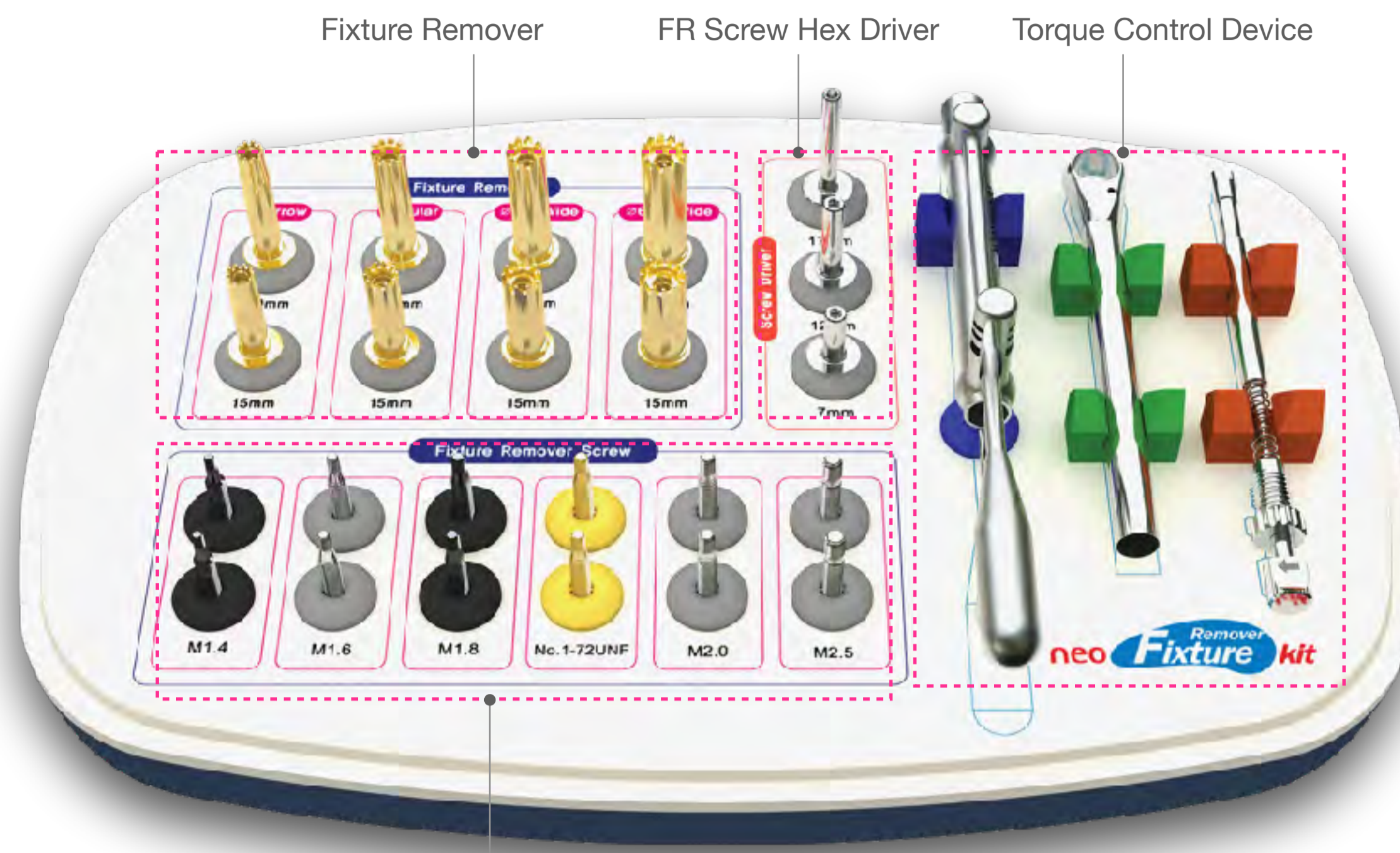
SR Driver Holder



Standard	Applicable Products	Product Code
3.5 Double Hex	Conical Guide: CG00	GH00
	Internal Guide: IHG24, IHG25, I0G31	
	External Guide: EHG24, EHG27, EHG34	

FR KIT (Fixture Remover Kit)

This product is a surgical tool designed to remove implants that were stopped during the implantation due to excessive torque or implants whose surrounding bones have been damaged. After removing the implant, a new implant with the same diameter can be immediately implanted.



FR Kit

Product Code	FRKIT
--------------	-------

Fixture Remover Screw

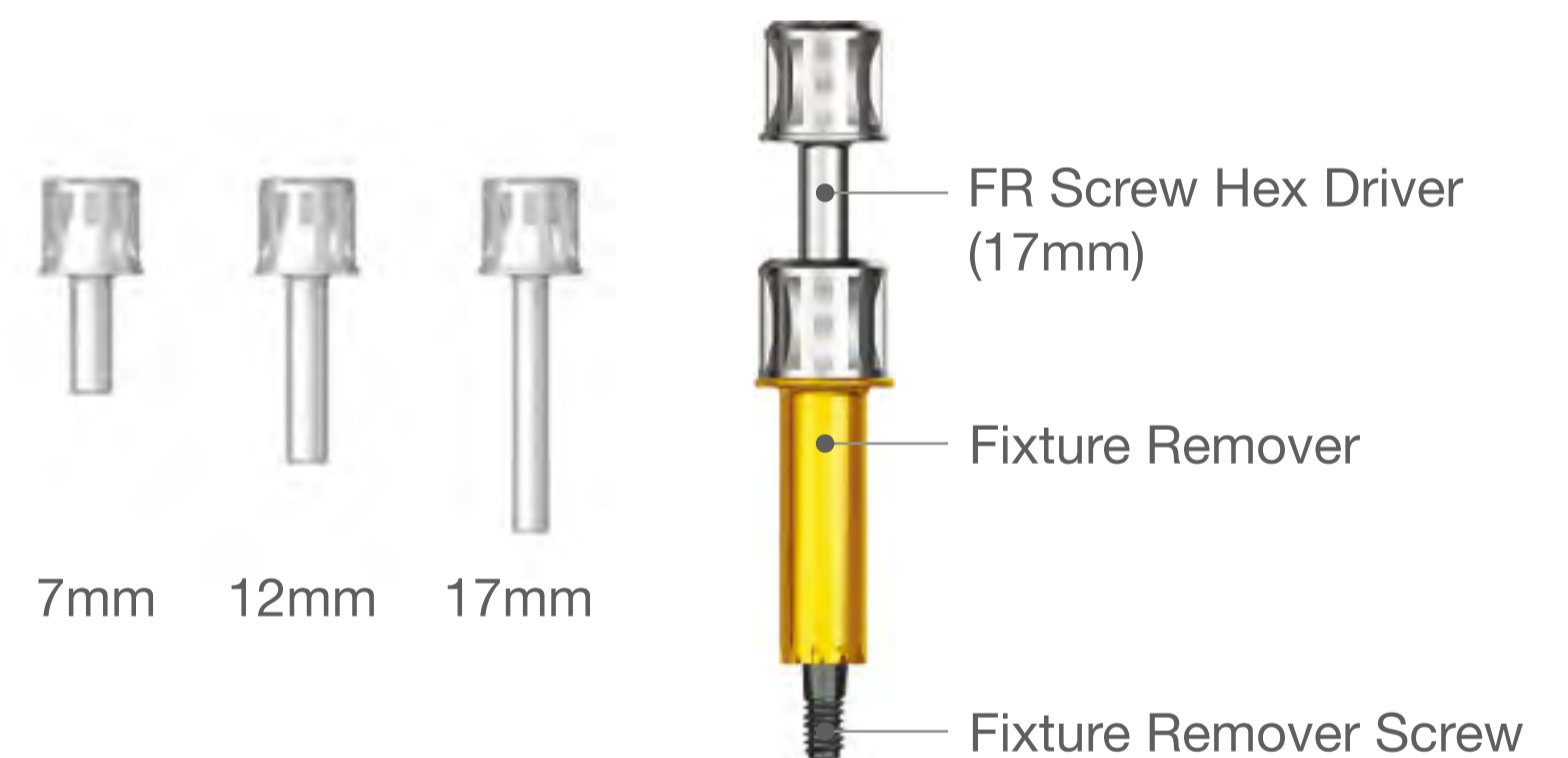
Screw Size	M1.4	M1.6	M1.8	1-72UNF	M2.0	M2.5
Product Code	FRS14	FRS16	FRS18	FRS172	FRS20	FRS25

• “M” means a metric screw, and the number stands for the size of the external diameter of the screw.



FR Screw Hex Driver

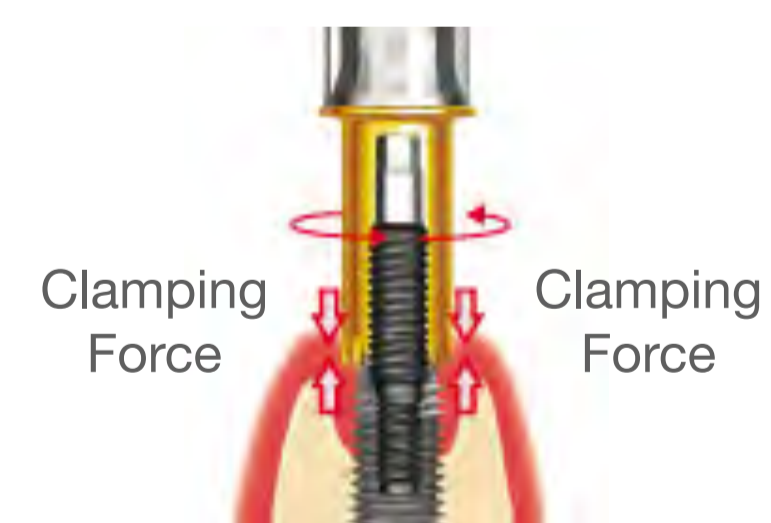
Length(mm)	7.0	12.0	17.0
Product Code	HDF1607	HDF1612	HDF1617



Fixture Remover



Diameter	Narrow		Regular		Wide (Ø5.0)		Wide (Ø6.0~Ø8.0)	
Length(mm)	15.0	20.0	15.0	20.0	15.0	20.0	15.0	20.0
Product Code	FR315	FR320	FR415	FR420	FR515	FR520	FR615	FR620



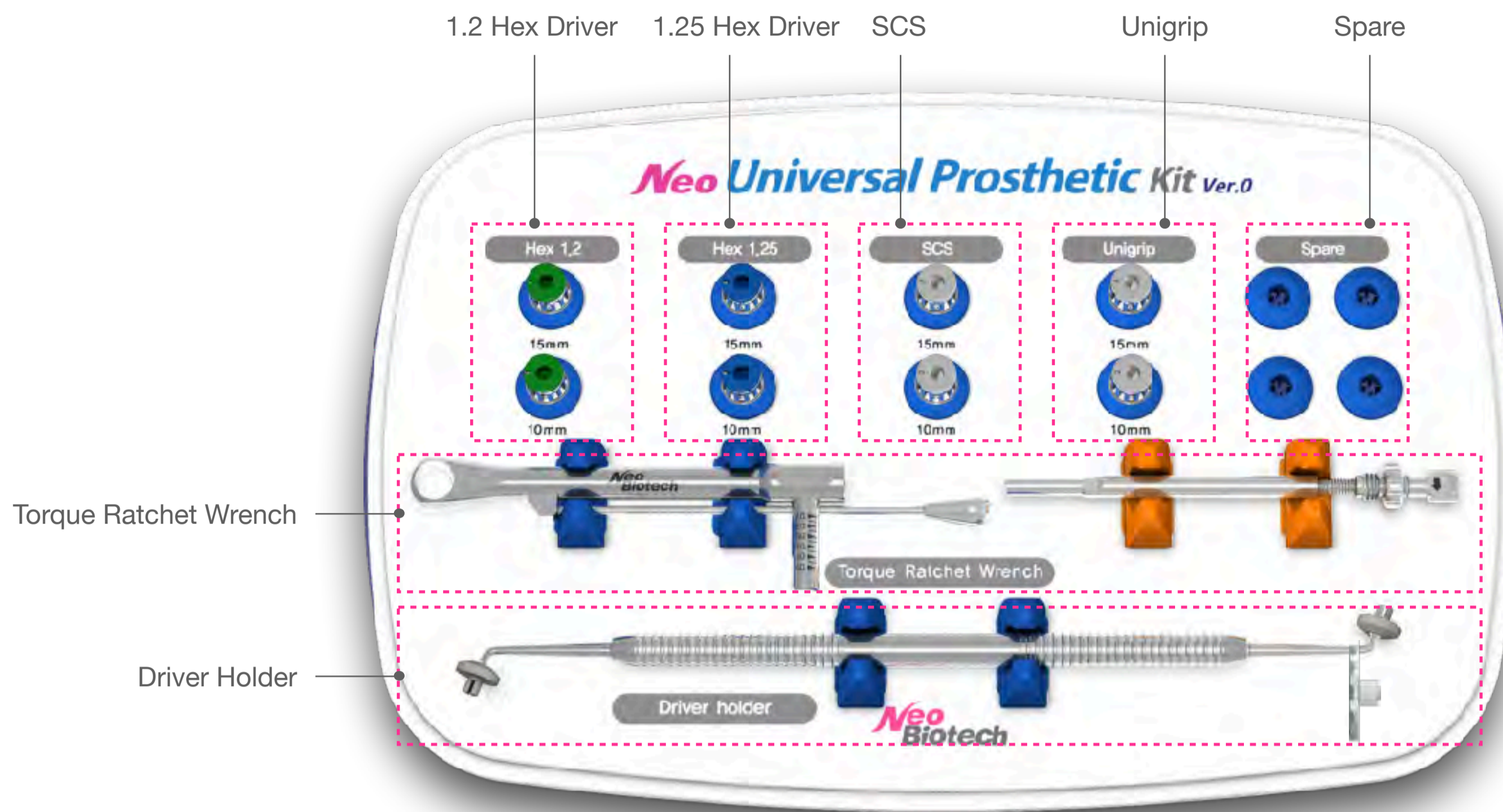
Torque Control Device

Product Code	TW80400
--------------	---------



UNIVERSAL PROSTHETIC KIT

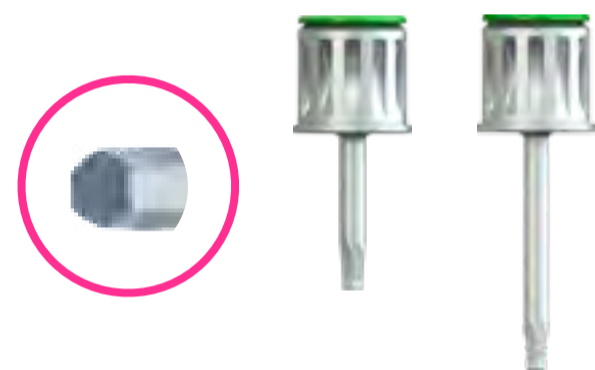
This product is a Universal Prosthetic Kit consisting of dental implant procedure tools and drivers made of medical grade materials, including titanium and stainless steel.



Universal Prosthetic Kit

Product Code	UVPRTKIT
--------------	----------

1.2 Hex Driver (0.48")



Length(mm)	Compatible Implant or Company	Product Code
10.0	Neobiotech / Biomet 3i / Dentsply - Friadent, Xive / Osstem, DIO / Megagen	HD1210S
15.0		HD1215S

1.25 Hex Driver (0.5")



Length(mm)	Compatible Implant or Company	Product Code
10.0	Biohorizons / Zimmer / Astra / Implant Direct / Legacy / Camlog / MIS / Dentis / Dentium	HD12510S
15.0		HD12515S

SCS Driver



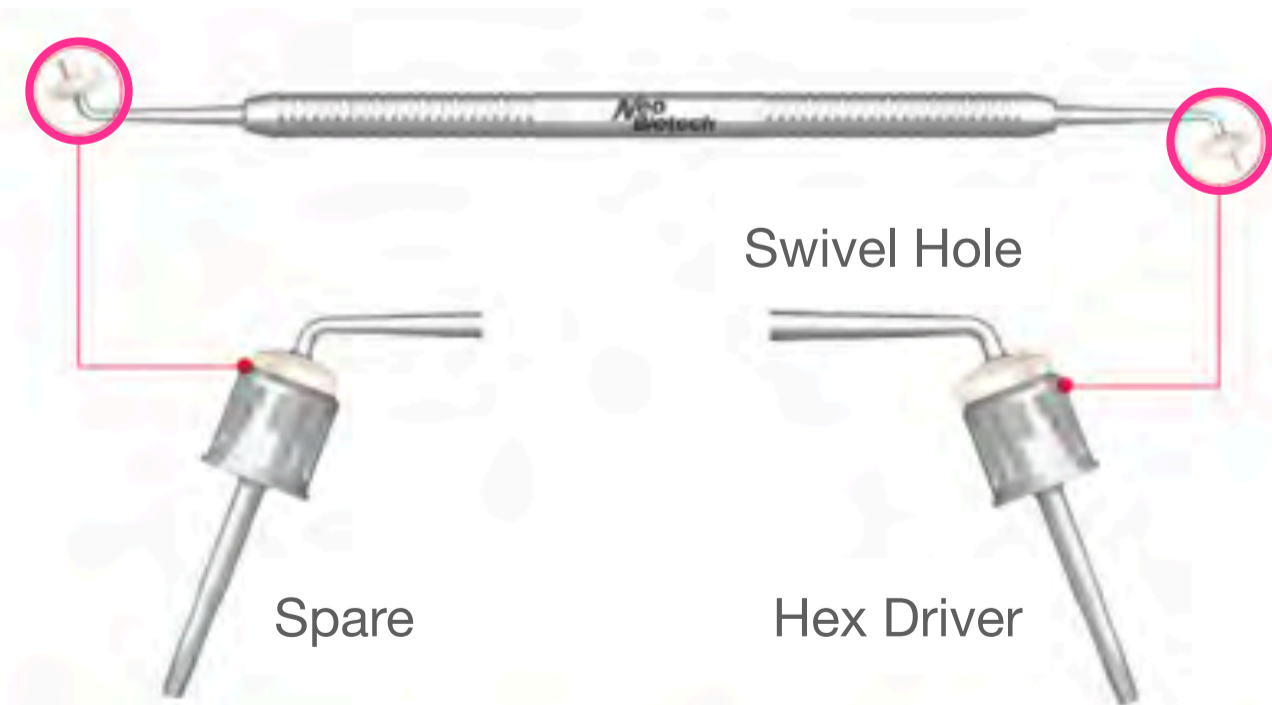
Length(mm)	Compatible Implant or Company	Product Code
10.0	Straumann / Implant Direct Replant	SCSD10S
15.0		SCSD15S

Unigrip Driver



Length(mm)	Compatible Implant or Company	Product Code
10.0	Nobel Biocare, Implant Direct Swishplait / Southern Implants / Neoss	UGD10S
15.0		UGD15S

Driver Holder



Product Code	DH02
--------------	------

Torque Ratchet



Product Code	TW60
--------------	------

NEO PROSTHETIC KIT

This product is a Neo Prosthetic Kit consisting of dental implant procedure tools and drivers made of medical grade materials, including titanium and stainless steel.

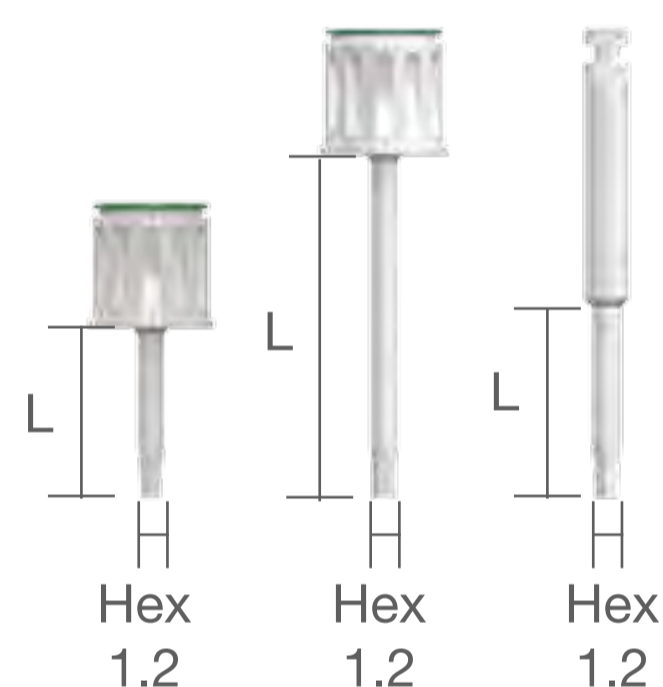


Neo Prosthetic Kit

Product Code	PRTKIT
--------------	--------

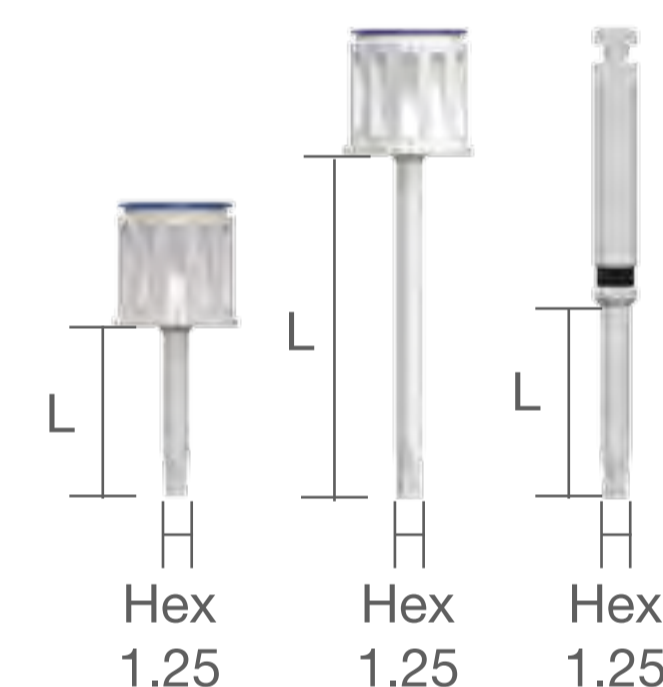
1.2 Hex Driver

Type	Length(mm)	Product Code
Ratchet	10.0	HD1210S
	15.0	HD1215S
	20.0	HD1220S
	25.0	HD1225S
Rescue	20.0	HD1220RCS
Contra Angle	10.0	HDC1210
	15.0	HDC1215



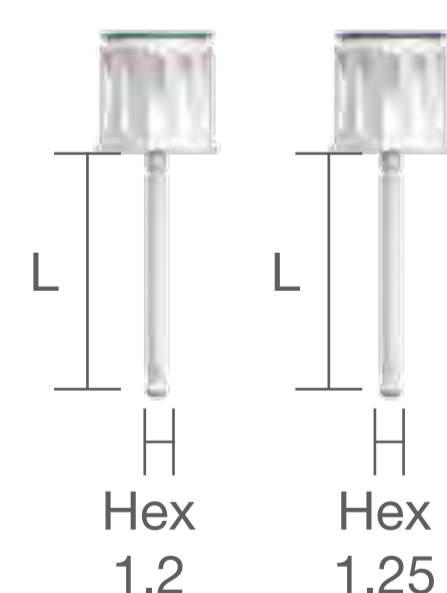
1.25 Hex Driver

Type	Length(mm)	Product Code
Ratchet	10.0	HD12510S
	15.0	HD12515S
	20.0	HD12520S
	25.0	HD12525S
Rescue	20.0	HD12520RCS
Contra Angle	10.0	HDC12510
	15.0	HDC12515



Angled Driver

Hex Size	Length(mm)	Product Code
1.2 Hex	15.0	HDA1215S
	20.0	HDA1220S
	25.0 *	HDA1225S *
1.25 Hex	15.0	HDA12515S
	20.0	HDA12520S
	25.0 *	HDA12525S *



* OPTIONAL

NEO PROSTHETIC KIT



Hand Driver

Length(mm)	Product Code
20.0	HDH1220S
20.0	HDH12520S



IT Abutment Driver *

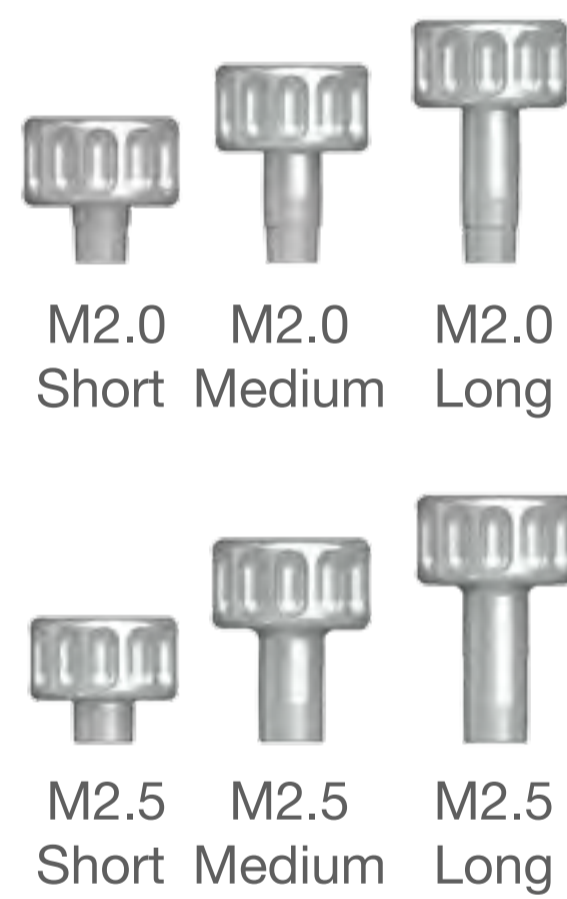
Type	Product Code
Solid	ITAD0L*
Ex-Solid	ITESD00*



* OPTIONAL

Abutment Positioner

Type	Length(mm)	Product Code	Set Code
M2.0/Short	2.0	AP202N	APSET (10ea. / Set)
M2.0/Medium	5.0	AP205N	
M2.0/Long	7.0	AP207N	
M2.5/Short	2.0	AP252N	
M2.5/Medium	5.0	AP255N	
M2.5/Long	7.0	AP257N	
Hex1.2	15.0	HD1215S	
Hex1.2	20.0	HD1220S	
Hex1.25	15.0	HD12515S	
Hex1.25	20.0	HD12520S	



Multi Unit Abutment Driver *

Product Code	MUAD48S *
--------------	-----------

* OPTIONAL



Ball Abutment Driver *

Product Code	BADH24 *
--------------	----------

* OPTIONAL



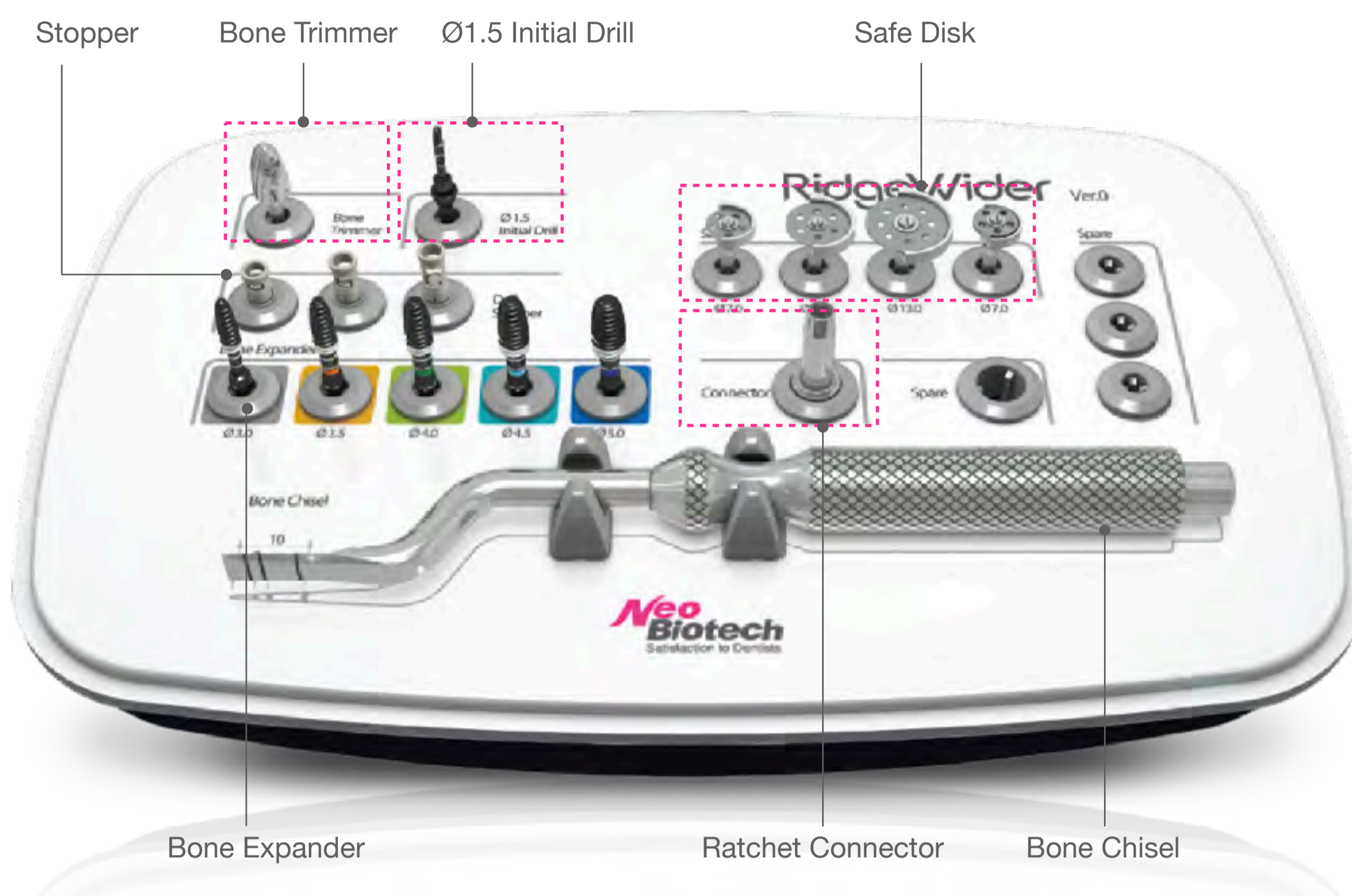
Torque Ratchet

Product Code	TW60
--------------	------



RIDGE WIDER KIT

The surgery instrument for horizontal expansion utilizing the Safe Disk and Bone Expander in narrow ridge (narrow width bone) to prepare space for implant placement.



RIDGE WIDER Kit

Product Code RWKITV00

Safe Disk

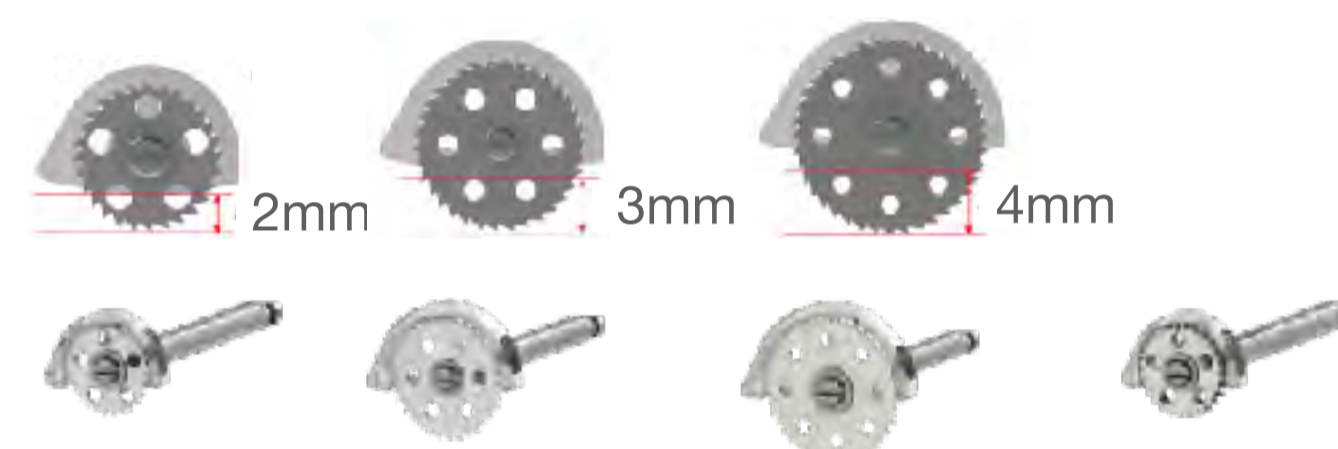
Non-Saw Type



Diameter(Ø)	Ø7.0	Ø10.0	Ø13.0	Ø7.0
Thickness(mm)	T0.35	T0.35	T0.35	T1.0
Product Code	SAWD0703N	SAWD1003N	SAWD1303N	SAWD0710N

• Speed: 1,200-2,000RPM

Saw Type *



Diameter(Ø)	Ø7.0 *	Ø10.0 *	Ø13.0 *	Ø7.0 *
Thickness(mm)	T0.35	T0.35	T0.35	T1.0
Product Code	SAWD0703S	SAWD1003S	SAWD1303S	SAWD0710S

• Speed: 1,200-2,000RPM

* OPTIONAL, Purchase separately

* Ø7.0mm, T1.0mm Safe Disk is used after splitting, and before expanding the alveolar bone. Utilize this Safe Disk to cut the lower part of the buccal area by 1mm thickness before bone expansion, therefore prevent alveolar bone fracture.

Bone Trimmer

Product Code	BTRI6010
--------------	----------



Ø1.5 Initial Drill

Diameter(Ø)	Product Code
Ø1.5	SFD15



Bone Expander



Diameter(Ø)	Ø3.0	Ø3.5	Ø4.0	Ø4.5	Ø5.0
Product Code	BEXP30	BEXP35	BEXP40	BEXP45	BEXP50

• Speed: 25-35RPM / Recommended use: 50 times

Stopper



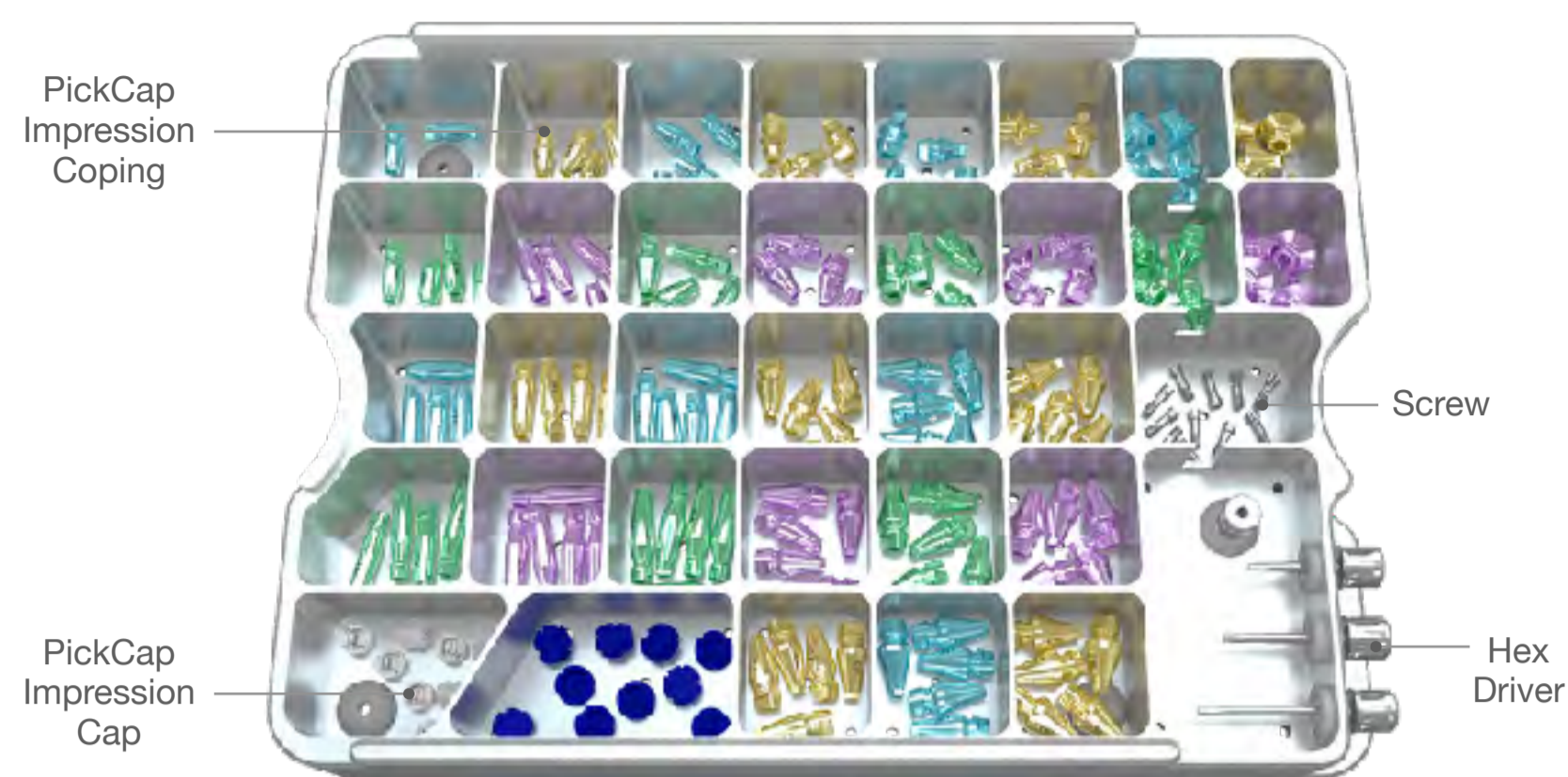
Length(mm)	3.0	5.0	7.0
Product Code	SFDS030	SFDS050	SFDS070

Bone Chisel



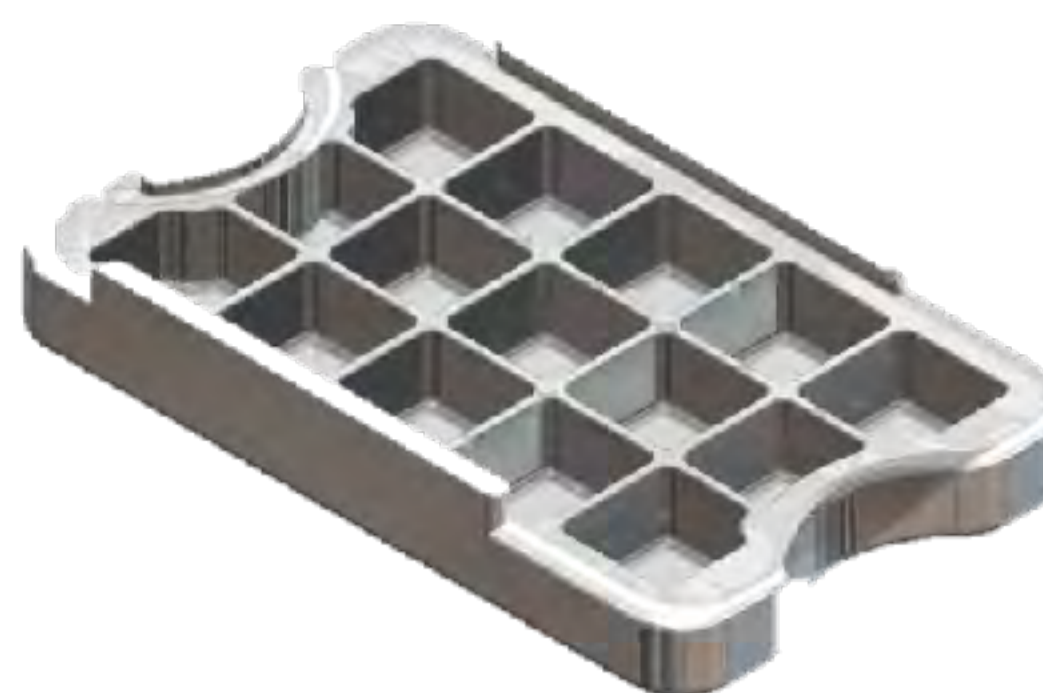
Length(mm)	3.0	5.0	10.0
Product Code	BCHI60		

NEO PICKCAP IMPRESSION KIT



Product Code	PCIKIT
--------------	--------

Neo PickCap Impression Mini Kit Tray

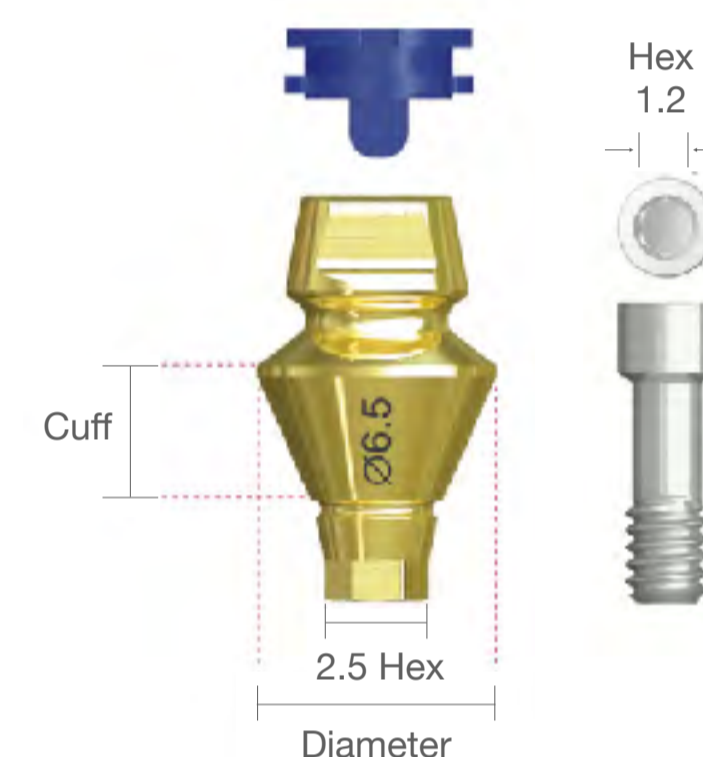


Product Code	PCIKITTB / KTC
--------------	----------------



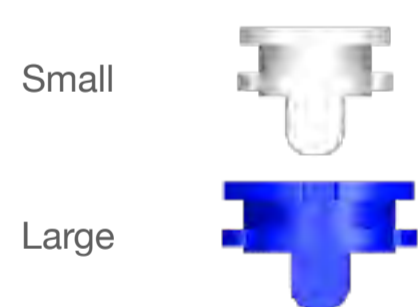
Neo PickCap Impression Coping

Cuff(mm)	2.0	3.0	4.0	5.0	6.0	8.0	10.0
Diameter	Ø3.5		ISPCIB3503C		ISPCIB3505C		ISPCIB3508C ISPCIB3510C
	Ø4.0		ISPCIB4003C		ISPCIB4005C		ISPCIB4008C ISPCIB4010C
	Ø4.5		ISPCIB403C		ISPCIB405C		ISPCIB408C ISPCIB410C
	Ø5.2	ISPCIB502C	ISPCIB503C	ISPCIB504C	ISPCIB505C	ISPCIB506C	
	Ø5.7	ISPCIB602C	ISPCIB603C	ISPCIB604C	ISPCIB605C	ISPCIB606C	
	Ø6.5	ISPCIB702C	ISPCIB703C	ISPCIB704C	ISPCIB705C	ISPCIB706C	
	Ø8.0		ISPCIB803C	ISPCIB804C			
	Ø9.0		ISPCIB903C	ISPCIB904C			



Neo PickCap Impression Coping Cap

Cap Size	Product Code	Remark
Small	PCISC0110S(10ea.)	Below Ø4.5
Large	PCILC0110S(10ea.)	Over Ø5.2



Neo PickCap Impression Coping Screw

Product Code	ISPCIS20
--------------	----------



Hex Driver

Length(mm)	Product Code
15.0	HD1215S
20.0	HD1220S
25.0	HD1225S



PickCap Positioner

Length(mm)	Product Code
2.0	AP202N



Pincette



Product Code	PCIPC
--------------	-------

ACM (AutoChip Maker)

ACM (AutoChip Maker) is an instrument to collect autograft bone from mandibular molars or incisor for GBR in defected area.



1 Box : 1 Drill and 7 Stoppers

Diameter(Ø)	Length(mm)	Product Code
Ø 4.0	17.7 (Short)	NACM40ISETS
Ø 4.5	17.7 (Short)	NACM45ISETS
Ø 5.0	17.7 (Short)	NACM50ISETS
Ø 6.0	17.7 (Short)	NACM60ISETS

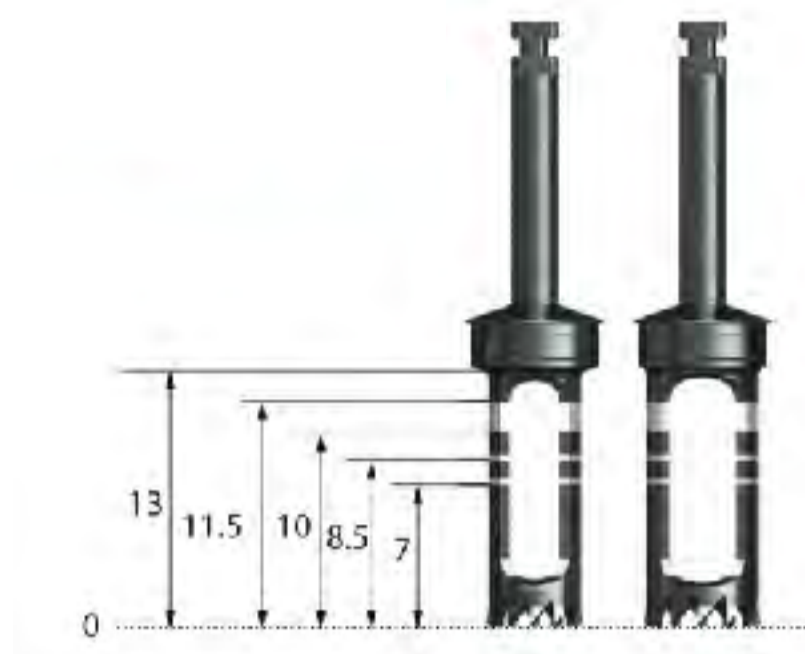
1. Mount stopper to ACM and connect dental implant motor.
2. Locate the drill on the surface of operation area by pressing it slightly with irrigation.
 - ✓ Recommended drilling speed is 50~300rpm and maximum torque over 50Ncm.
(50rpm without irrigation, Over 100rpm with irrigation)
 - ✓ The stopper does not go deeper than 4mm.
 - ✓ Maximum 4mm depth autograft bone, drill until 3~4mm depth and move to different area to collect the same quality bone chip.
 - ✓ Drill with shaking to left and right for effective cutting and cooling.
3. When autograft bone is fully filled in the space, take out the bone chips from ACM to the medical bowl after removing the stopper.
4. Repeat procedure 1, 2, 3 until taking the enough autograft bone.
5. GBR with the collected autograft bone in the defected area.

SURGICAL ACCESSORY

This product is the Surgical Accessory, consisting of dental implant procedure tools and drivers made of medical grade materials, including titanium and stainless steel.

Trephine Drill

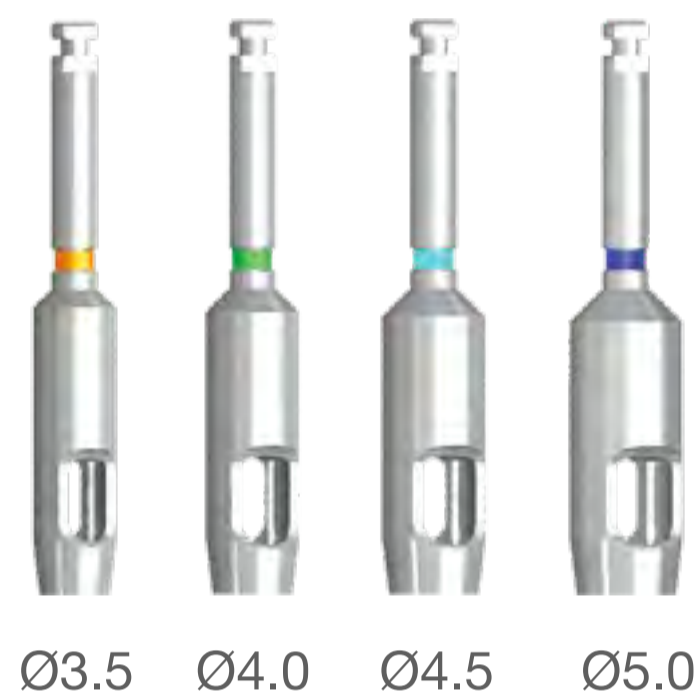
Diameter	Product Code
Ø4.0 / Ø5.0	TB40
Ø5.0 / Ø6.0	TB50



Tissue Punch

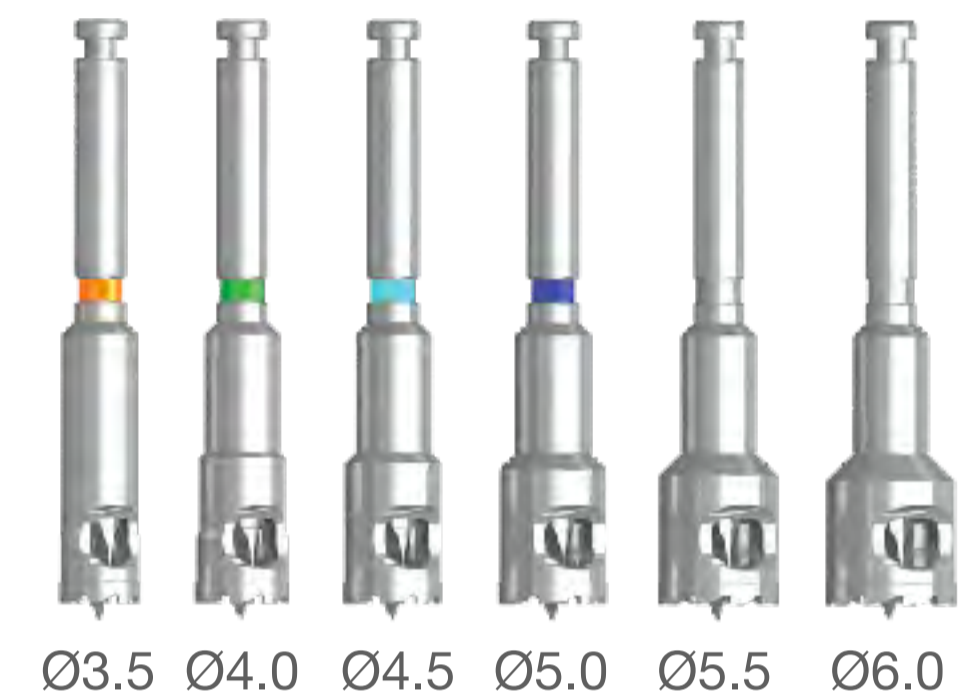
Diameter(Ø)	Product Code
Ø3.5	TP35
Ø4.0	TP40
Ø4.5	TP45
Ø5.0	TP50

• Speed: 1,000RPM



Dia. Marker

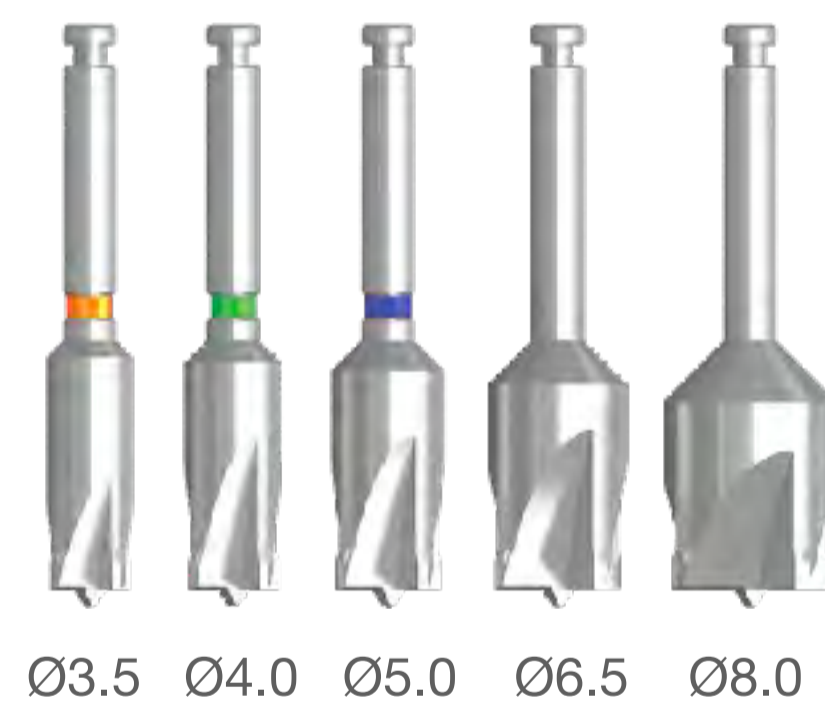
Diameter(Ø)	Product Code
Ø3.5	DM35
Ø4.0	DM40
Ø4.5	DM45
Ø5.0	DM50
Ø5.5	DM55
Ø6.0	DM60



Bone Planer

Diameter(Ø)	Product Code
Ø3.5	BP35
Ø4.0	BP40
Ø5.0	BP50
Ø6.5	BP65
Ø8.0	BP80

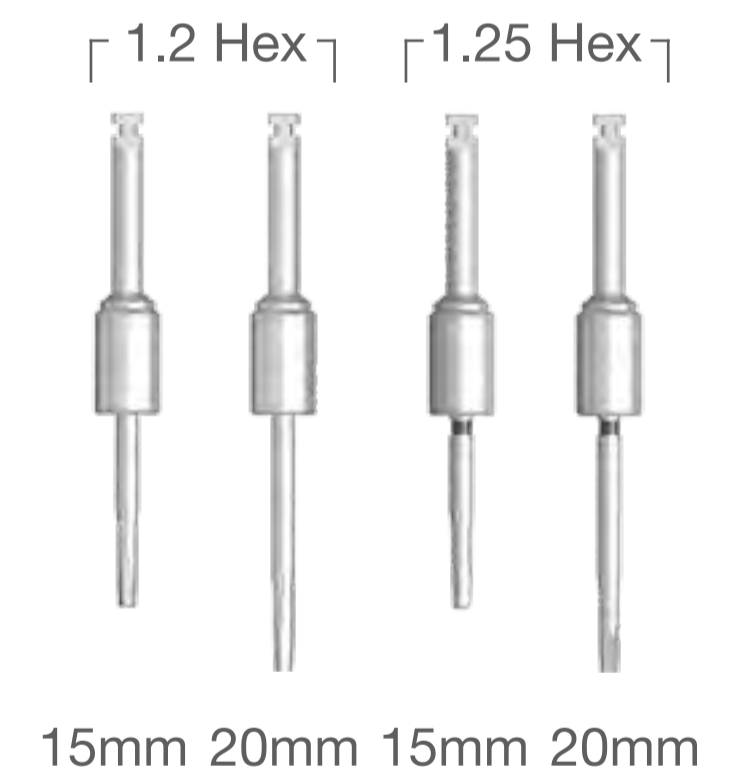
• Speed: 1,200RPM



Quick Tight

Hex Size	Length(mm)	Product Code
1.2 Hex	15.0mm	QTH1215
	20.0mm	QTH1220
1.25 Hex *	15.0mm	QTH12515 *
	20.0mm	QTH12520 *

* OPTIONAL
• Speed: 500-1,000RPM / 1-2Ncm



Bone Profile

Type	Diameter(Ø)	Product Code
External (EB)	Narrow	BPN40
	Regular	BPR50
	Wide(I)	BPI60
	Wide(B)	BPB60

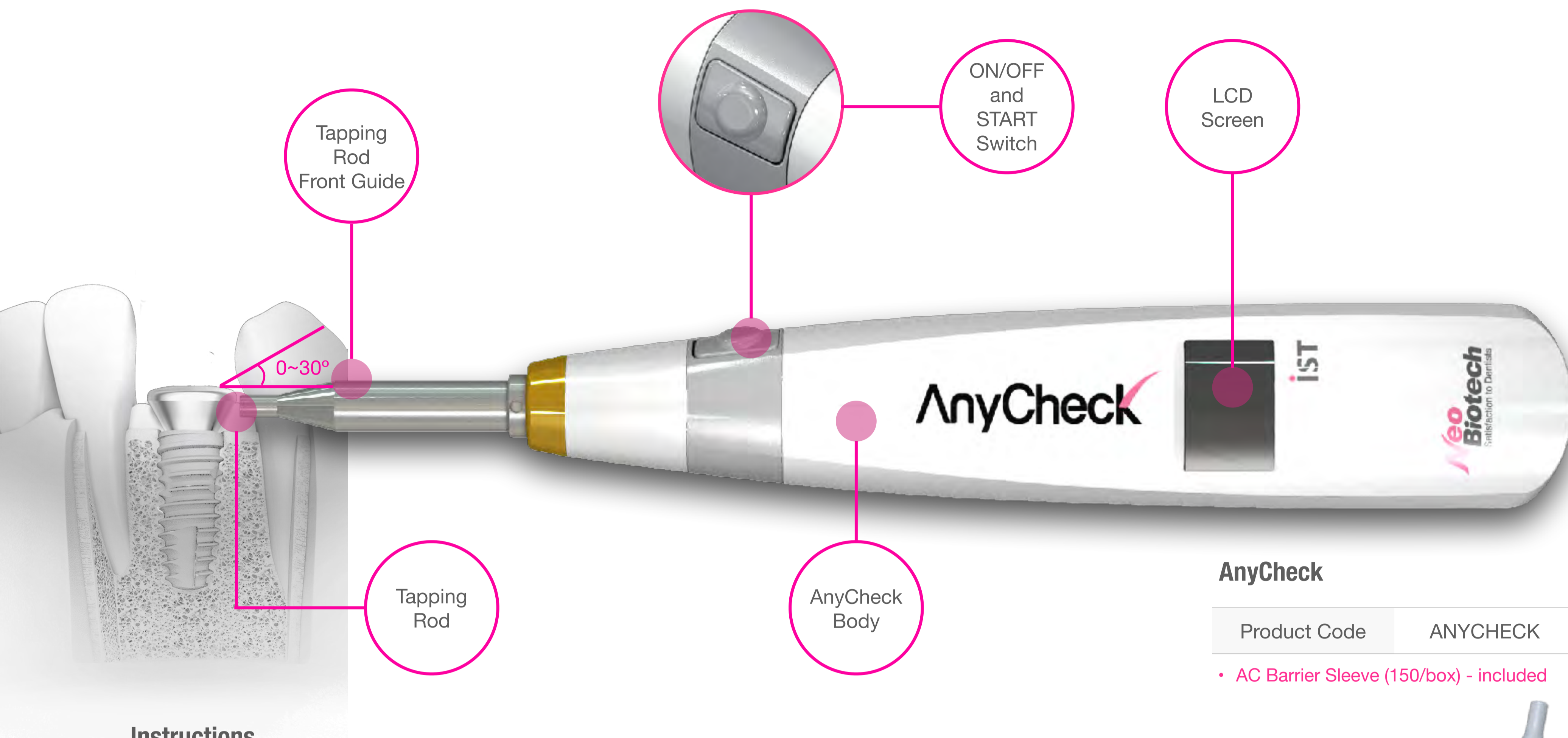


Type	Diameter(Ø)	Product Code
Internal (IS)	Ø4.8	ISBP48
	Ø5.5	ISBP55
	Ø6.0	ISBP60



ANYCHECK

AnyCheck is an implant stability meter that measures the stiffness of the alveolar bone-implant interface through a tapping-motion. AnyCheck reduces the risk of implant failure by indicating the most appropriate time for connecting prosthetics.



AnyCheck

Product Code ANYCHECK

- AC Barrier Sleeve (150/box) - included

Instructions



01. Turn on AnyCheck by pressing the switch button until it turns on.



02. Slightly contact the tip of the tapping rod to the upper part of the healing abutment. Be cautious not to push the healing abutment.



03. Maintain the contact angle between 0 to 30 degrees from the **ground**.

04. Gently press the START button while holding the device stable.

05. Check the measured value displayed on the LCD screen.

06. Range of the measured value is between 30-85. The smaller the measured value, the weaker the degree of osseointegration.

Measured value is similar to ISQ scale: above 60 – bridge recommended; above 70 – single case loading possible. Displayed in **Red – 30~59; Orange – 60~64; Green – 65~85**. Measured values (IST scale) differ depending on the height of the healing abutment. As the standard height of the healing abutment is 4mm, calculate the correct IST value according to the following chart:

Standard +3	7mm height Healing Abutment	Displayed IST value +6
Standard +2	6mm height Healing Abutment	Displayed IST value +4
Standard +1	5mm height Healing Abutment	Displayed IST value +2
Standard	4mm height Healing Abutment	Displayed IST value
Standard -1	3mm height Healing Abutment	Displayed IST value -2
Standard -2	2mm height Healing Abutment	Displayed IST value -4
Standard -3	1mm height Healing Abutment	Displayed IST value -6



IMPLANT SYSTEM



NEOBIOTECH USA

2700 E. FOOTHILL BLVD. #121

PASADENA, CA 91107

www.neobiotechusa.com

213-387-7704